

HR CoaXPress

hr25CCX



General

Model	hr25CCX
Product code	F004054
Product series	HR CoaXPress
Status	Available

Sensor

Sensor type	Area scan
Chroma	Color
Spectrum	Visible
Spectral range	400 nm to 1000 nm
Resolution	5,120 × 5,120 (25.00 MP)
Sensor model	ON Semi PYTHON 25K
Sensor architecture (material)	cmos
Shutter type(s)	global-shutter
Sensor size	23.04 × 23.04 mm (32.58 mm, 32.58mm (APS-H))
Pixel size	4.50 μm × 4.50 μm

Pixel formats

Sensor bit depth	8-Bit,10-Bit
RGB pixel formats	bayer8, bayer10

Timing and gain

Max. frame rate	81 fps
Exposure time	35 μs to 60 s
Gain	0.0 dB to 18.0 dB

I/Os and power

Non-isolated lines	0 x LVDS input, 0 x LVDS output, 0 x TTL input, 0 x TTL output, 2 x 24V input, 4 x Open drain output,
Specific non-isolated lines	1 x RS232 input, 1 x RS232 output, 0 x RS422 input, 0 x RS422 output,
Opto-isolated lines	1 x Optical isolated input, 0 x Optical isolated input,
Power supply	10 to 25VDC, Power over CoaXPress
Power consumption	External: 15 W (typical)

Operating conditions

Operating temperature (housing)	-10 °C to 60 °C
---------------------------------	-----------------

Mechanical properties

Body dimensions (L x W x H in mm)	56 × 70 × 70
IP class	IP30
Lens mount(s)	M58x0.75
Weight	420 g

On-board memory and FPGA

Non-volatile memory (Flash)	160 MByte
-----------------------------	-----------

Interfaces

Digital interface	cxp-6 with 4 connections
Interface connector	(Din1.0/2.3)

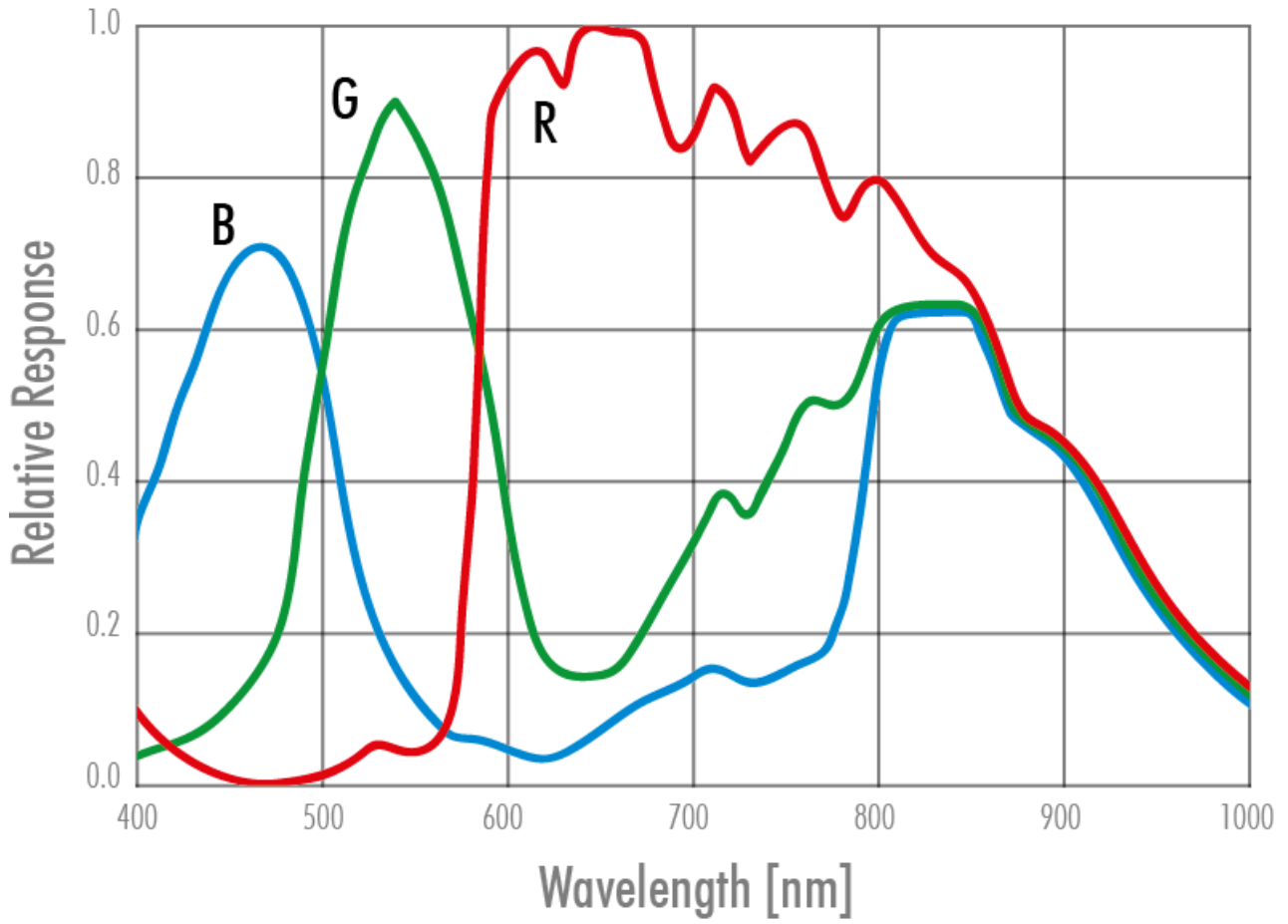
FW features - image control

Exposure modes	Manual, Auto, External
Gain modes	Auto, Manual
White balance modes	auto, manual
Image control features	FW Features - Image Control

FW features - camera control

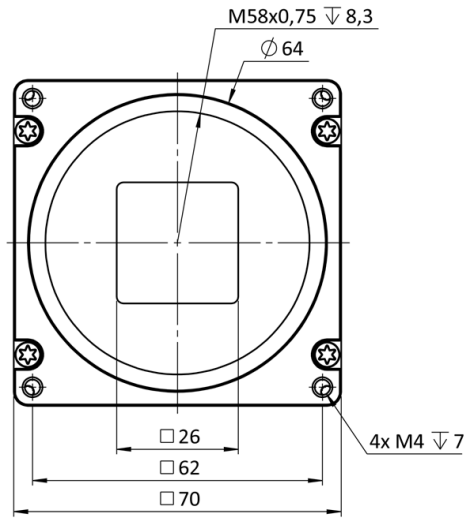
Trigger modes/sync	INTERNAL,SOFTWARE,EXTERNAL
Camera control features	PoCxP, User Sets, PWM(4), Sequencer,

Quantum Efficiency

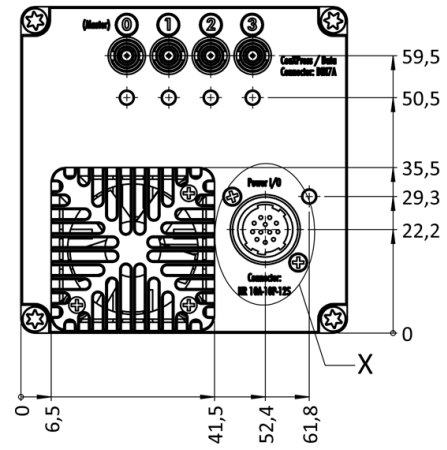


Technical Drawing

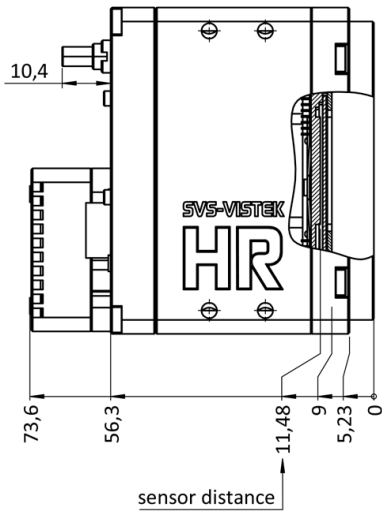
front view



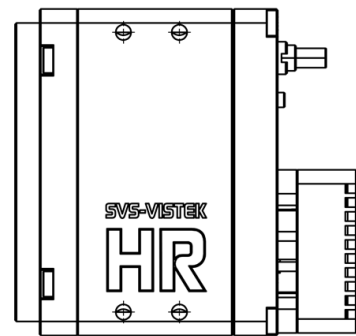
back view



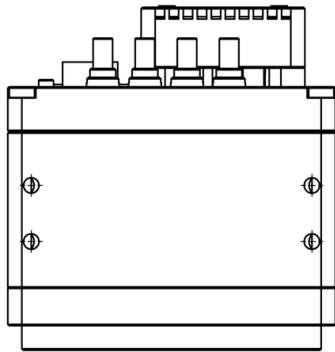
cross section



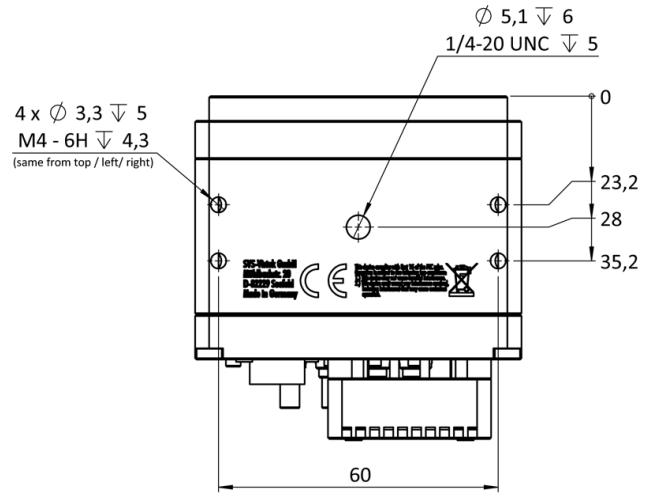
right view



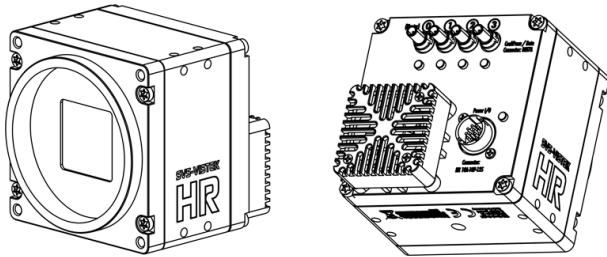
top view



bottom view



3D view



I/O pin assignment



1	VIN - (GND)	7	OUT 1 (open drain)
2	VIN + (10 V to 25 V DC)	8	OUT 2 (open drain)
3	IN 4 (RXD RS232)	9	IN 3 + (opto In +)
4	OUT 4 (TXD RS232)	10	IN 3 - (opto In -)
5	IN 1 (0-24V)	11	OUT 3 (open drain)
6	IN 2 (0-24V)	12	OUT 0 (open drain)