



HR 10GigE

hr51CXGE-G2

General

Model	hr51CXGE-G2
Product code	F004154
Product series	HR 10GigE
Status	Deleted

Sensor

Sensor type	Area scan
Chroma	Color
Spectrum	Visible
Spectral range	400 nm to 1000 nm
Resolution	8,424 × 6,032 (51.00 MP)
Sensor model	Gpixel GMAX4651-BVC-BU2
Sensor architecture (material)	cmos
Shutter type(s)	global-shutter
Sensor size	38.75 × 27.75 mm (47.66 mm, 35mm Full Frame)
Pixel size	4.60 μm × 4.60 μm

Pixel formats

Sensor bit depth	8-Bit,12-Bit
RGB pixel formats	bayer8, bayer12

Imaging performance

Dynamic range	65 dB
SNR	42.6 dB

Timing and gain

Max. frame rate	23.7 fps
Exposure time	60 μ s (max)
Gain	0.0 dB to 40.0 dB

I/Os and power

Non-isolated lines	0 x LVDS input, 0 x LVDS output 0 x TTL input, 0 x TTL output, 2 x 24V input, 4 x Open drain output
Specific non-isolated lines	1 x RS232 input, 1 x RS232 output, 0 x RS422 input, 0 x RS422 output
Opto-isolated lines	1 x Optical isolated input, 0 x Optical isolated Input,
Power supply	10 to 25VDC
Power consumption	External: 17 W (typical at 12 VDC)

Mechanical properties

Body dimensions (L x W x H in mm)	77 x 70 x 70
Filter/protection glass	IR-Cut 680
IP class	IP30
Lens mount(s)	M58x0.75
Weight	380 g

On-board memory and FPGA

Image buffer (RAM)	448 MByte
--------------------	-----------

Interfaces

Digital interface	10gige
Interface connector	(RJ-45)

FW features - image control

Exposure modes	Manual, Auto
Gain modes	Auto, Manual
White balance modes	auto, manual
Image control features	FW Features - Image Control

FW features - camera control

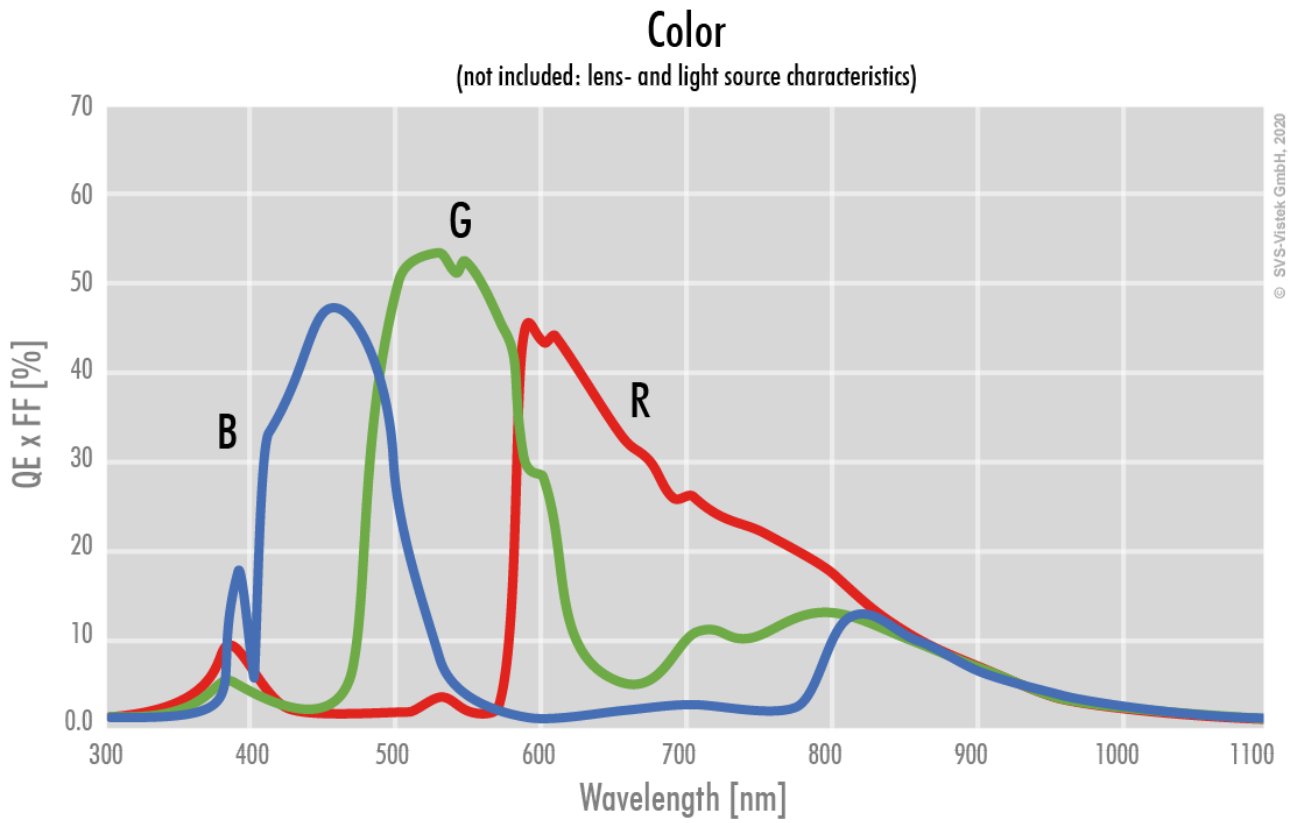
Trigger modes/sync	INTERNAL,SOFTWARE,EXTERNAL
--------------------	----------------------------

FW features - camera control

Camera control features

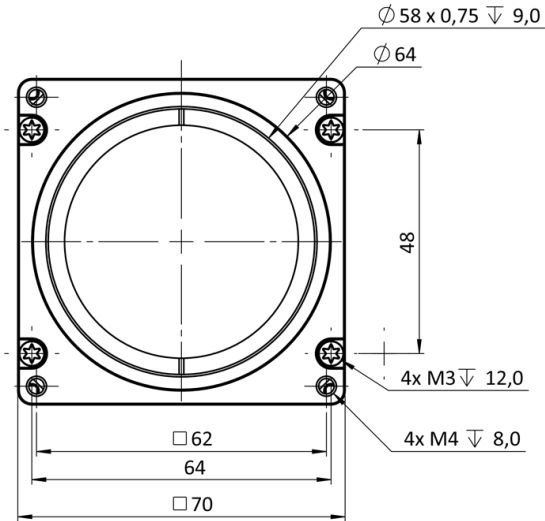
User Sets, POE, PWM(4), Sequencer,

Quantum Efficiency

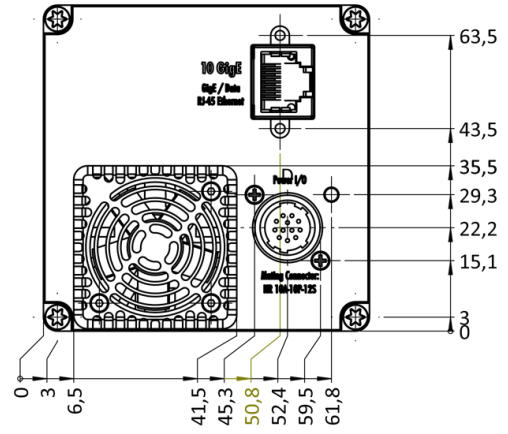


Technical Drawing

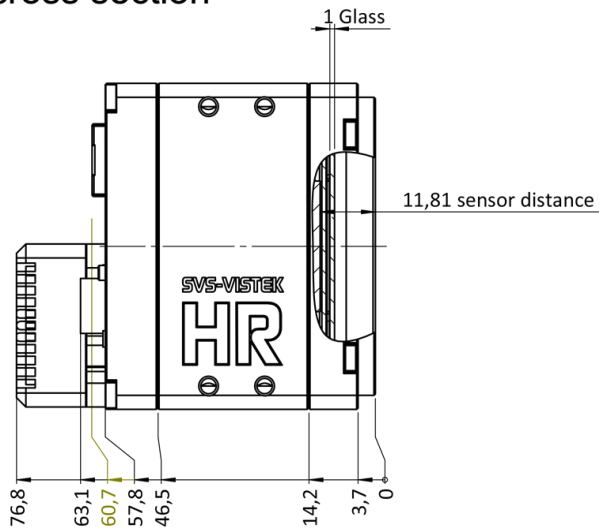
front



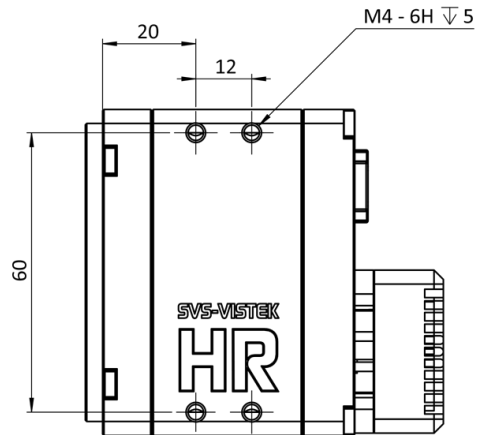
back



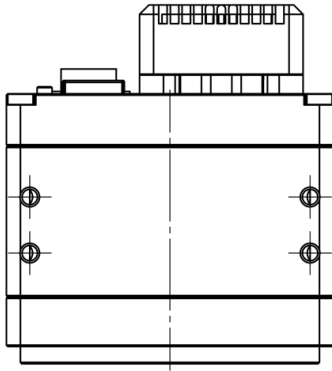
cross section



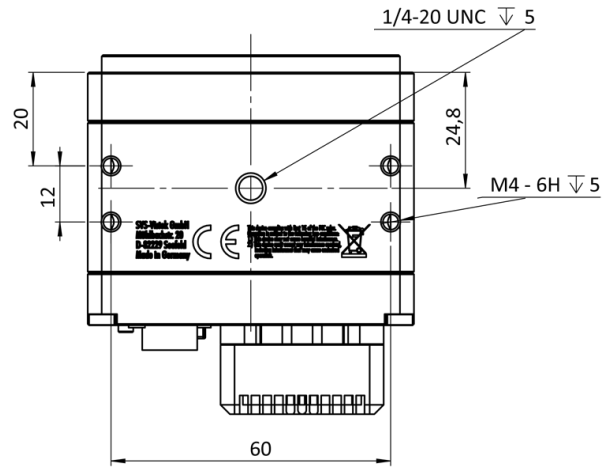
right side



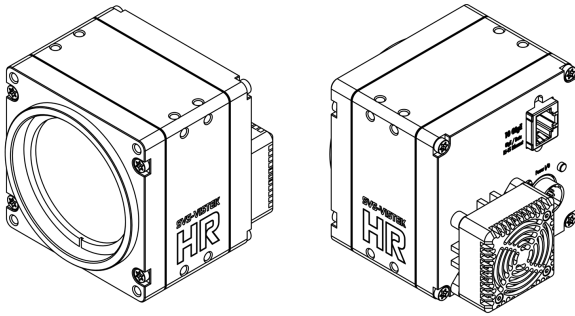
top



bottom



3D



I/O pin assignment



Hirose 12 Pin	
1	VIN - (GND)
2	VIN + (10V to 25V DC)
3	IN 4 (RXD RS232)
4	OUT 4 (TXD RS232)
5	IN 1 (0-24V)
6	IN 2 (0-24V)
7	OUT 1 (open drain)
8	OUT 2 (open drain)
9	IN 3 + (opto In +)
10	IN 3 - (opto In -)
11	OUT 3 (open drain)
12	OUT 0 (open drain)