

HR 10GigE

hr387MXGE



General

| | |
|-----------------|-----------|
| Model: | hr387MXGE |
| Product code: | F004075 |
| Product series: | HR 10GigE |
| Status: | Available |

Sensor

| | |
|---------------------------------|--|
| Sensor type: | Area scan |
| Chroma: | Mono |
| Spectrum: | Visible |
| Spectral range: | 400 nm to 1000 nm |
| Resolution: | 5,440 × 3,076 (16.70 MP) |
| Sensor model: | Sony IMX387LLA |
| Sensor architecture (material): | cmos |
| Shutter type(s): | global-shutter |
| Sensor size: | 18.77 × 10.61 mm (21.56 mm, 21.7mm (Type 4/3)) |
| Pixel size: | 3.45 μm × 3.45 μm |

Pixel formats

| | |
|---------------------------|---------------|
| Sensor bit depth: | 8-Bit, 12-Bit |
| Monochrome pixel formats: | mono8, mono12 |

Timing and gain

| | |
|------------------|-------------------|
| Max. frame rate: | 56.4 |
| Exposure time: | 21 µs to 60 s |
| Gain: | 0.0 dB to 48.0 dB |

I/Os and power

| | |
|------------------------------|---|
| Non-isolated lines: | 0 x LVDS input, 0 x LVDS output, 0 x TTL input, 0 x TTL output, 2 x 24V input, 4 x Open drain output, |
| Specific non-isolated lines: | 1 x RS232 input, 1 x RS232 output, 0 x RS422 input, 0 x RS422 output, |
| Opto-isolated lines: | 1 x Optical isolated input, 0 x Optical isolated input, |
| Power supply: | 10 to 25VDC, Power over Ethernet (POE+, in option -P) |
| Power consumption: | External: 15.5 W (typical) |

Mechanical properties

| | |
|------------------------------------|------------------------------|
| Body dimensions (L x W x H in mm): | 80 × 70 × 70 |
| Filter/protection glass: | N-BK7 - AR coating 380-850nm |
| IP class: | IP30 |
| Lens mount(s): | M58x0.75 |
| Weight: | 400 g |

On-board memory and FPGA

| | |
|------------------------------|-----------|
| Image buffer (RAM): | 448 MByte |
| Non-volatile memory (Flash): | 32 MByte |

Interfaces

| | |
|----------------------|---------|
| Digital interface: | 10gige |
| Interface connector: | (RJ-45) |

FW features - image control

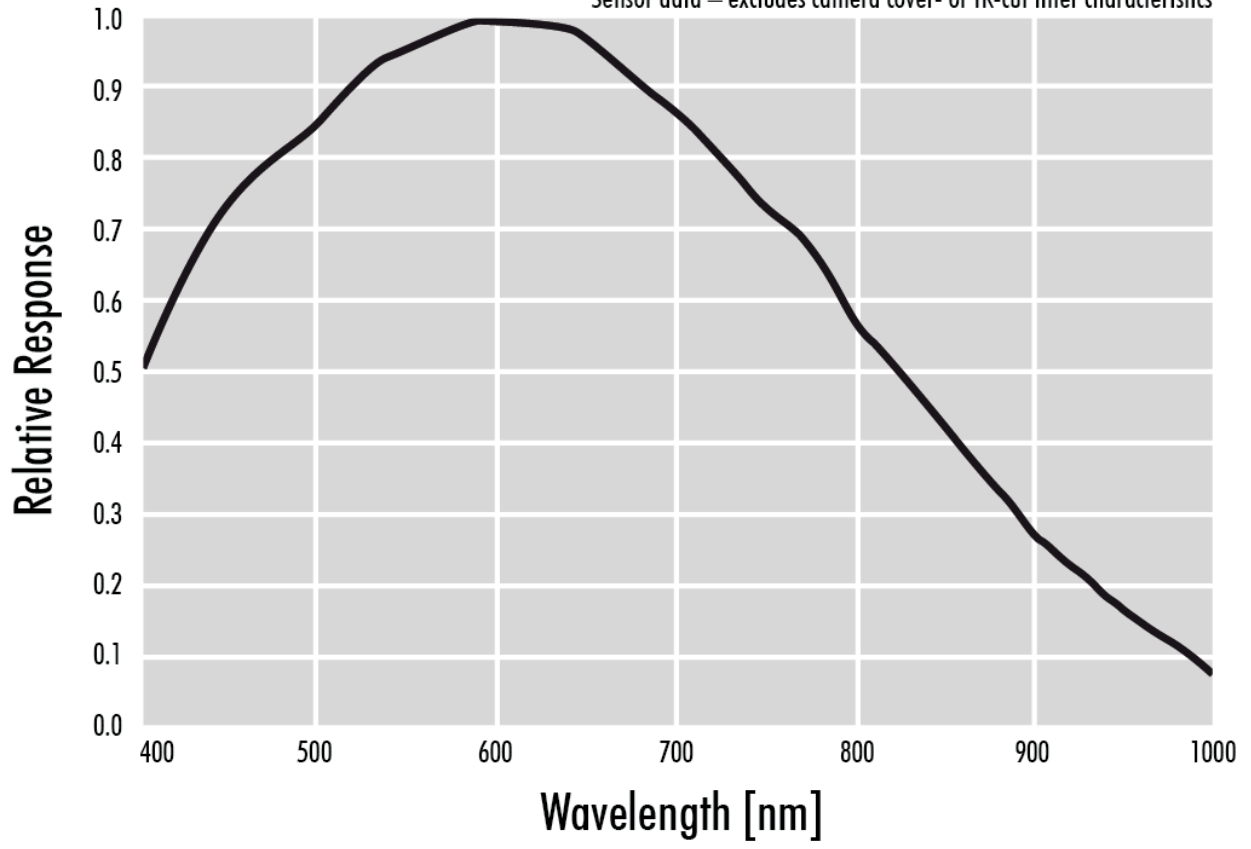
| | |
|-------------------------|-----------------------------|
| Exposure modes: | Manual, Auto, External |
| Gain modes: | Auto, Manual |
| Image control features: | FW Features - Image Control |

FW features - camera control

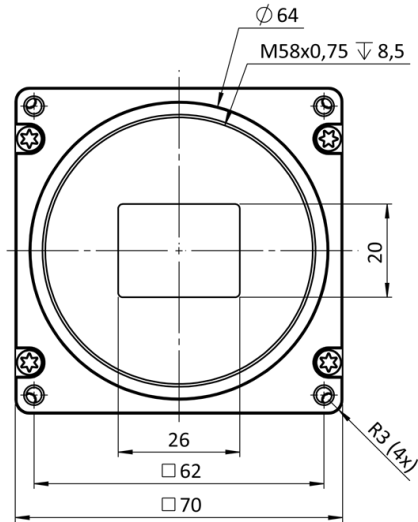
| | |
|--------------------------|------------------------------------|
| Trigger modes/sync: | INTERNAL,SOFTWARE,EXTERNAL |
| Camera control features: | User Sets, POE, PWM(4), Sequencer, |

Monochrome

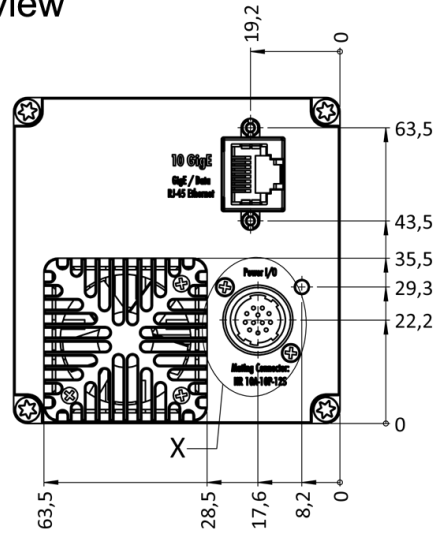
Sensor data – excludes camera cover- or IR-cut filter characteristics



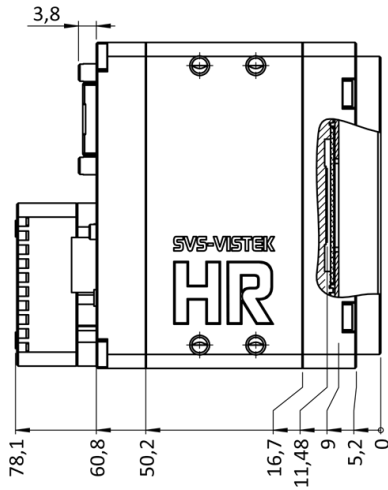
front view



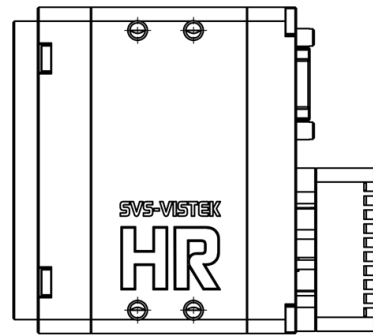
back view



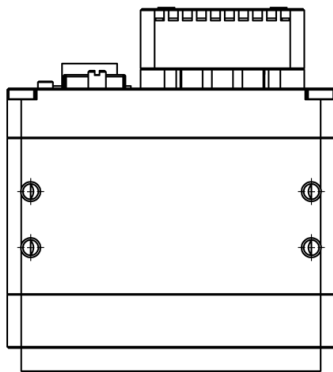
cross section



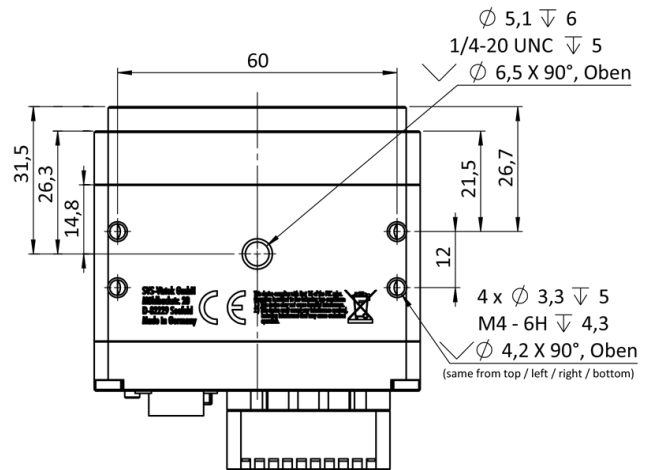
right view



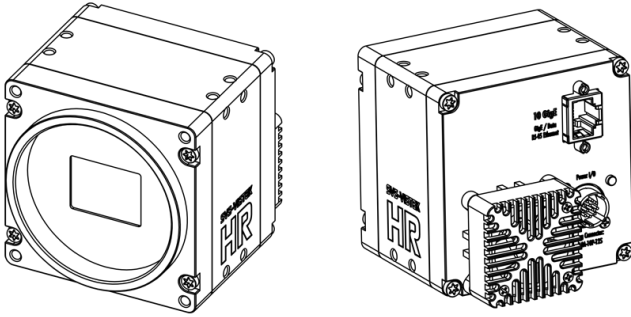
top view



bottom view



3D view



I/O pin assignment



Hirose 12 Pin

| | | | |
|---|-------------------------|----|--------------------|
| 1 | VIN - (GND) | 7 | OUT 1 (open drain) |
| 2 | VIN + (10 V to 25 V DC) | 8 | OUT 2 (open drain) |
| 3 | IN 4 (RXD RS232) | 9 | IN 3 + (opto In +) |
| 4 | OUT 4 (TXD RS232) | 10 | IN 3 - (opto In -) |
| 5 | IN 1 (0-24V) | 11 | OUT 3 (open drain) |
| 6 | IN 2 (0-24V) | 12 | OUT 0 (open drain) |