

Goldeye G

Goldeye G-034 SWIR TEC2



Preliminary product information. Features and technical specifications are subject to change without notice.

The Goldeye G-034 TEC2 high-speed camera is the fastest VGA resolution short wave infrared camera (SWIR) with GigE Vision interface. Frame rates up to 303 fps at full resolution enable you to access versatile application fields and to speed up your processes.

General

Model:	Goldeye G-034 SWIR TEC2
Product series:	Goldeye G
Status:	Prototype/engineering sample

Sensor

Sensor type:	Area scan
Chroma:	Mono
Spectrum:	SWIR
Spectral range:	900 nm to 1700 nm
Resolution:	636 × 508 (0.30 MP)
Sensor model:	FPA 636 × 508 15 µm InGaAs
Sensor architecture (material):	InGaAs
Sensor size:	12.2 mm ø (12.2 mm (diagonal))
Pixel size:	15.00 µm × 15.00 µm

Pixel formats

Sensor bit depth:	8-bit to 16-bit
-------------------	-----------------

Pixel formats

Monochrome pixel formats: Mono8, Mono10, Mono10p, Mono10Packed, Mono12, Mono12p, Mono12Packed, Mono14, Mono16

Timing and gain

Max. frame rate: 303

I/Os and power

Non-isolated lines: LVTTTL I/Os: 1 input, 1 output

Specific non-isolated lines: 115 200 Baud, 8N1 (adjustable)

Opto-isolated lines: 1 Input, 2 Outputs

Power supply: 10.8 V DC to 30.0 V or via PoE

Power consumption: 21 W (at 12 VDC), <23 W (PoE)

Operating conditions

Operating temperature (housing): -20 °C to 55 °C (housing)

Mechanical properties

Body dimensions (L x W x H in mm): 90 × 80 × 80

Weight: 740 g

On-board memory and FPGA

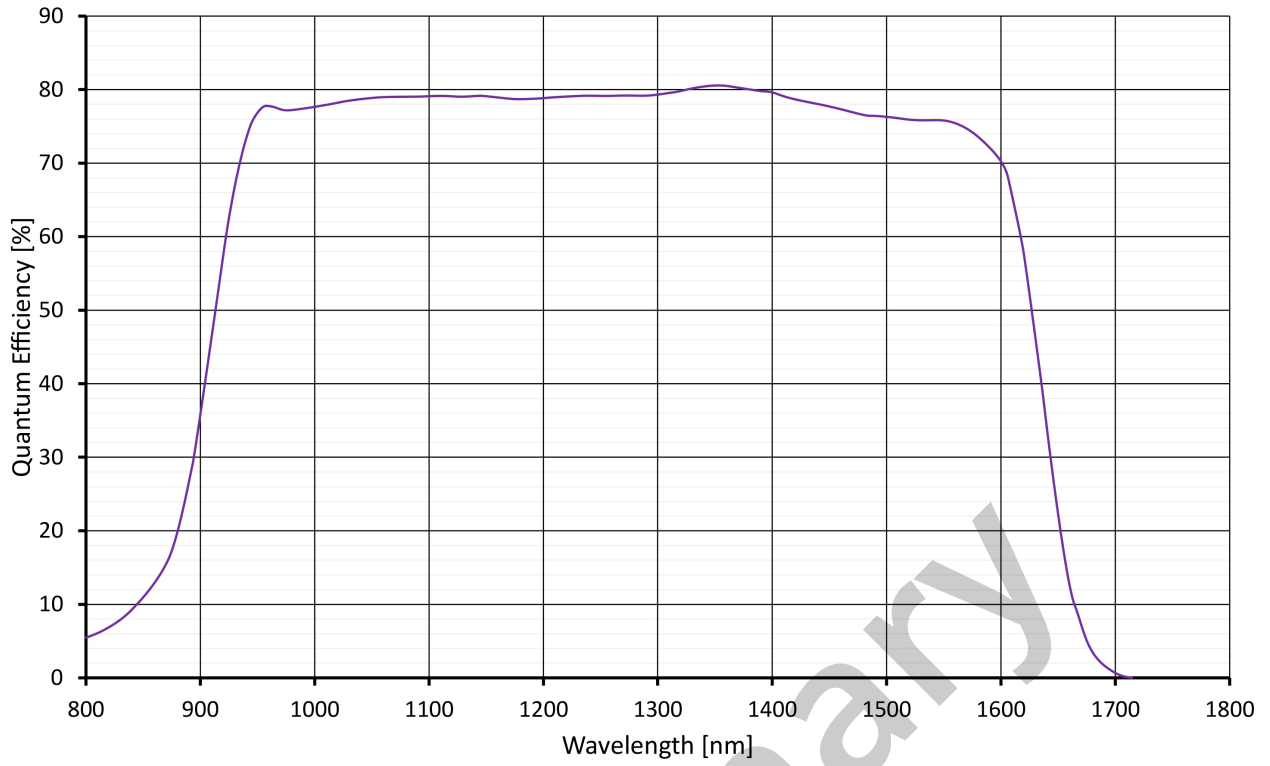
Image buffer (RAM): 256 MByte

Non-volatile memory (Flash): 262 MByte

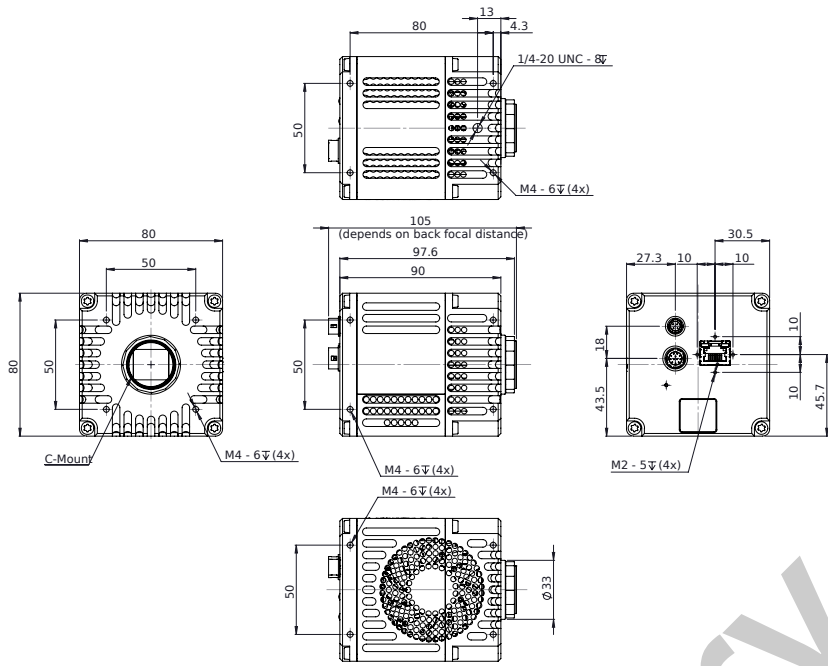
Interfaces

Digital interface: IEEE 802.3 1000BASE-T, IEEE 802.3af (PoE)

Goldeye G/CL-034 TEC2 Absolute QE



preliminary



preliminary