

FXO CoaXPress

fxo420CCX12-2C



General

| | |
|----------------|----------------|
| Model | fxo420CCX12-2C |
| Product code | F002268 |
| Product series | FXO CoaXPress |
| Status | Available |

Sensor

| | |
|--------------------------------|---|
| Sensor type | Area scan |
| Chroma | Color |
| Spectrum | Visible |
| Spectral range | 400 nm to 1000 nm |
| Resolution | 3,216 × 2,208 (7.10 MP) |
| Sensor model | Sony IMX420 |
| Sensor architecture (material) | cmos |
| Shutter type(s) | global-shutter |
| Sensor size | 14.47 × 9.94 mm (17.55 mm, 17.6mm (Type 1.1)) |
| Pixel size | 4.50 μm × 4.50 μm |

Pixel formats

| | |
|-------------------|-----------------|
| Sensor bit depth | 8-Bit,12-Bit |
| RGB pixel formats | bayer8, bayer12 |

Timing and gain

| | |
|-----------------|-------------------|
| Max. frame rate | 207 fps |
| Exposure time | 21 μs to 60 s |
| Gain | 0.0 dB to 48.0 dB |

I/Os and power

| | |
|-----------------------------|---|
| Non-isolated lines | 0 x LVDS input, 0 x LVDS output, 0 x TTL input, 0 x TTL output, 2 x 24V input, 4 x Open drain output, |
| Specific non-isolated lines | 1 x RS232 input, 1 x RS232 output, 0 x RS422 input, 0 x RS422 output, |
| Opto-isolated lines | 1 x Optical isolated input, 0 x Optical isolated input, |
| Power supply | 10 to 25VDC, Power over CoaXPress |
| Power consumption | External: 13 W (typical) |

Operating conditions

| | |
|---------------------------------|-----------------|
| Operating temperature (housing) | -10 °C to 60 °C |
|---------------------------------|-----------------|

Mechanical properties

| | |
|-----------------------------------|--------------|
| Body dimensions (L x W x H in mm) | 73 × 50 × 50 |
| Filter/protection glass | IR-Cut 680 |
| IP class | IP30 |
| Lens mount(s) | C-Mount |
| Weight | 240 g |

On-board memory and FPGA

| | |
|-----------------------------|----------|
| Non-volatile memory (Flash) | 32 MByte |
|-----------------------------|----------|

Interfaces

| | |
|---------------------|---------------------------|
| Digital interface | cxp-12 with 2 connections |
| Interface connector | (micro-BNC) |

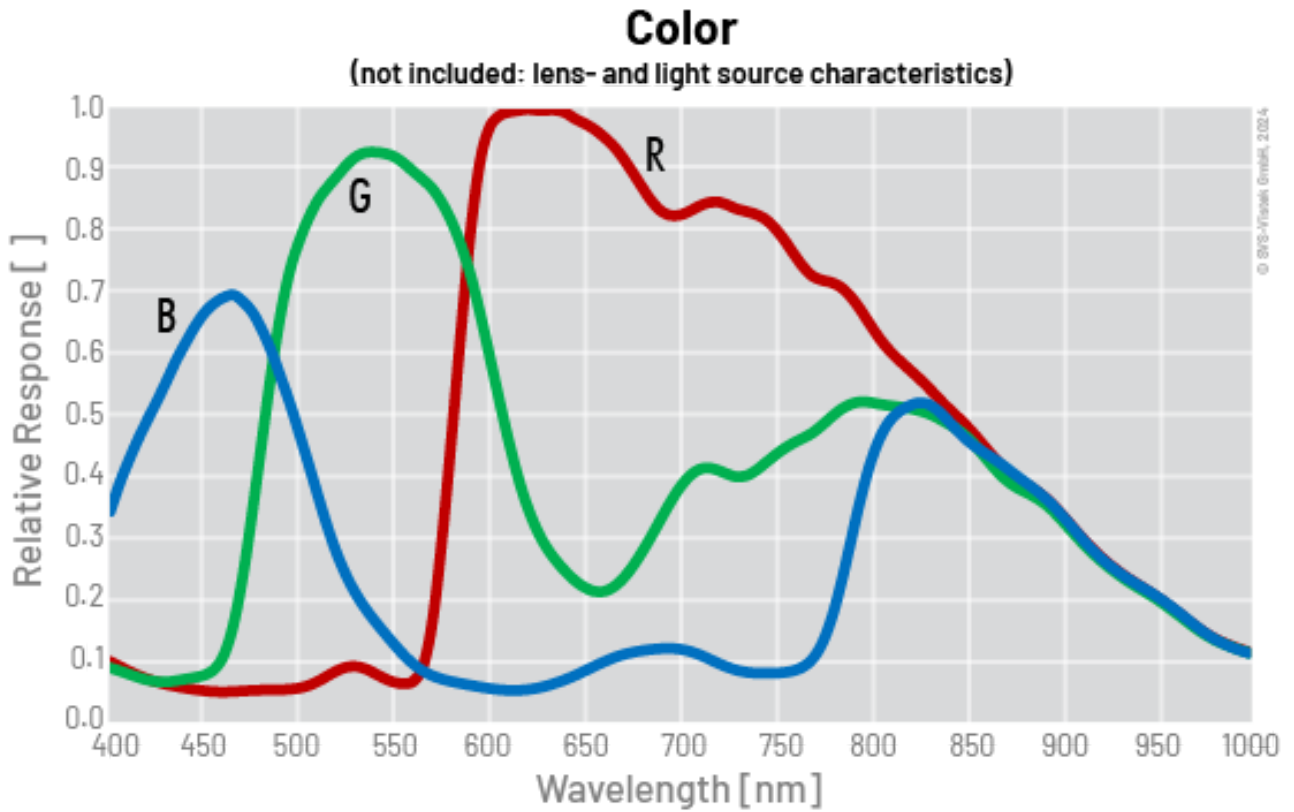
FW features - image control

| | |
|------------------------|-----------------------------|
| Exposure modes | Manual, Auto, External |
| Gain modes | Auto, Manual |
| White balance modes | auto, manual |
| Image control features | FW Features - Image Control |

FW features - camera control

| | |
|-------------------------|--------------------------------------|
| Trigger modes/sync | INTERNAL,SOFTWARE,EXTERNAL |
| Camera control features | PoCxP, User Sets, PWM(4), Sequencer, |

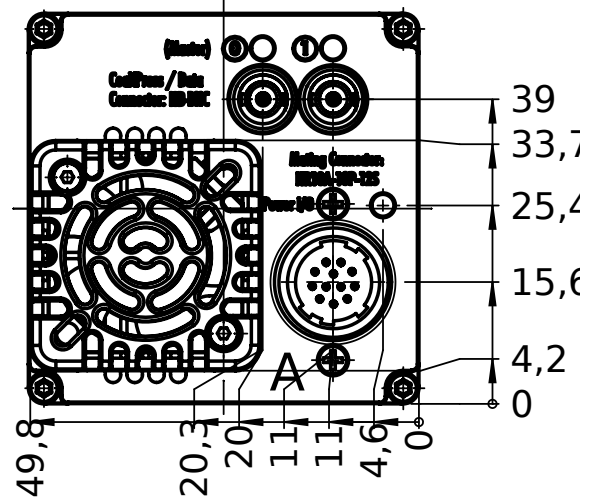
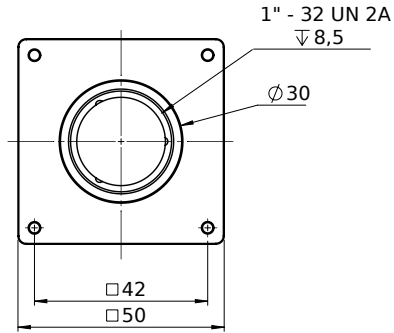
Quantum Efficiency



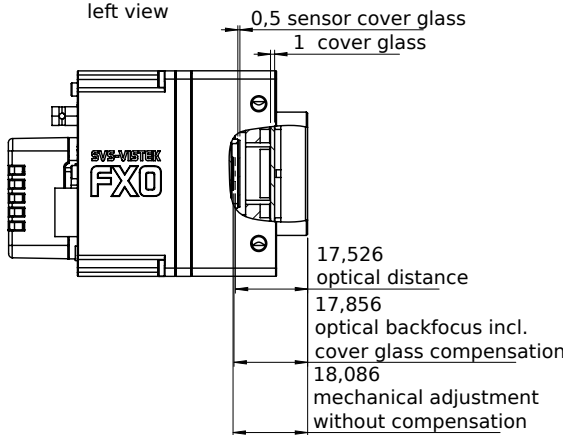
Technical Drawing

back view

front view



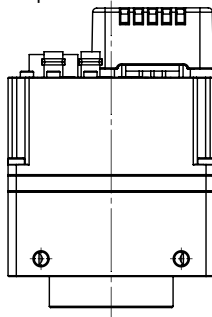
left view



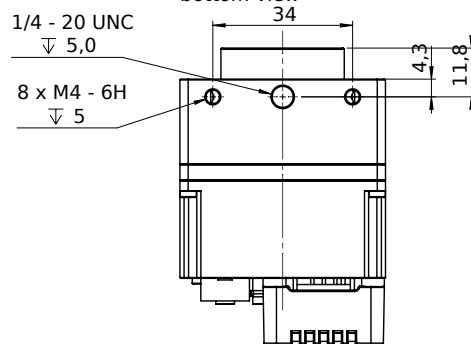
right view

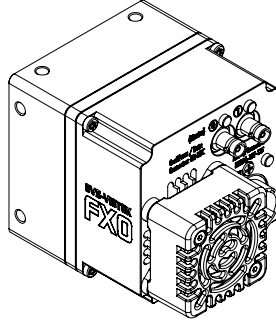
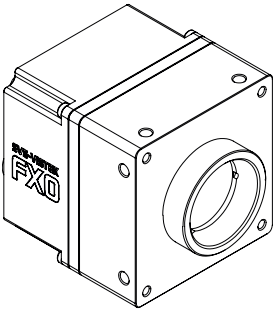


top view



bottom view





I/O pin assignment

Hirose 12 Pin



| | | | |
|---|-------------------------|----|--------------------|
| 1 | VIN - (GND) | 7 | OUT 1 (open drain) |
| 2 | VIN + (10 V to 25 V DC) | 8 | OUT 2 (open drain) |
| 3 | IN 4 (RXD RS232) | 9 | IN 3 + (opto In +) |
| 4 | OUT 4 (TXD RS232) | 10 | IN 3 - (opto In -) |
| 5 | IN 1 (0-24V) | 11 | OUT 3 (open drain) |
| 6 | IN 2 (0-24V) | 12 | OUT 0 (open drain) |