



General

Model:	fxo541CCX
Product code:	F002087
Product series:	FXO CoaXPress
Status:	Available

Sensor

Sensor type:	Area scan
Chroma:	Color
Spectrum:	Visible
Spectral range:	400 nm to 1000 nm
Resolution:	4,480 × 4,504 (20.20 MP)
Sensor model:	Sony IMX541
Sensor architecture (material):	cmos
Shutter type(s):	global-shutter
Sensor size:	12.28 × 12.34 mm (17.41 mm, 17.5mm (Type 1.1))
Pixel size:	2.74 μm × 2.74 μm

Pixel formats

Sensor bit depth:	8-Bit,12-Bit
RGB pixel formats:	bayer8, bayer12

Imaging performance

Dynamic range:	72 dB
SNR:	39.8 dB

Timing and gain

Max. frame rate:	35.7 fps
Exposure time:	21 μ s to 60 s
Gain:	0.0 dB to 48.0 dB

I/Os and power

Non-isolated lines:	0 x LVDS input, 0 x LVDS output, 0 x TTL input, 0 x TTL output, 2 x 24V input, 4 x Open drain output,
Specific non-isolated lines:	1 x RS232 input, 1 x RS232 output, 0 x RS422 input, 0 x RS422 output,
Opto-isolated lines:	1 x Optical isolated input, 0 x Optical isolated input,
Power supply:	10 to 25VDC, Power over CoaXPress
Power consumption:	External: 8 W (typical)

Operating conditions

Operating temperature (housing):	-10 °C to 65 °C
----------------------------------	-----------------

Mechanical properties

Body dimensions (L x W x H in mm):	70 x 50 x 50
IP class:	IP30
Lens mount(s):	C-Mount
Weight:	240 g

On-board memory and FPGA

Non-volatile memory (Flash):	32 MByte
------------------------------	----------

Interfaces

Digital interface:	cxp-12 with 1 connection
Interface connector:	(micro-BNC)

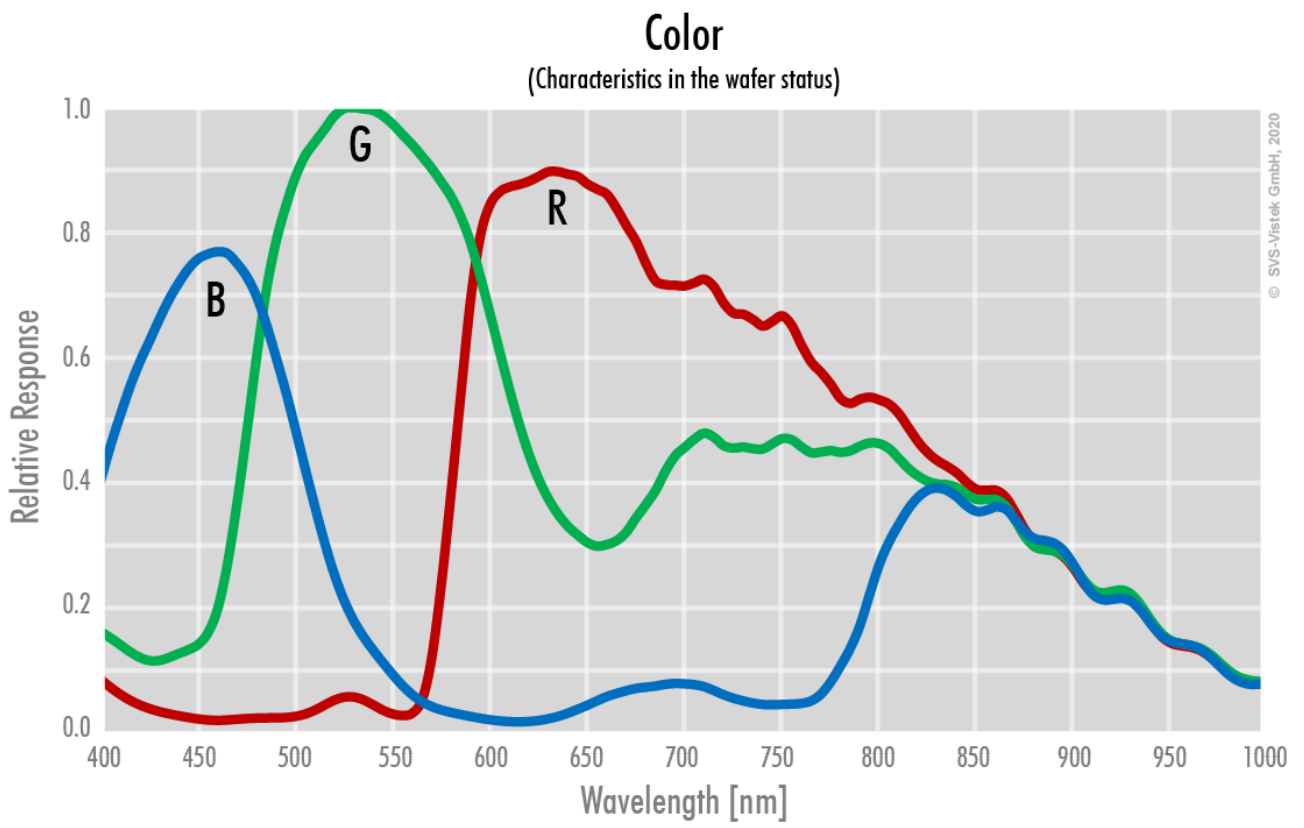
FW features - image control

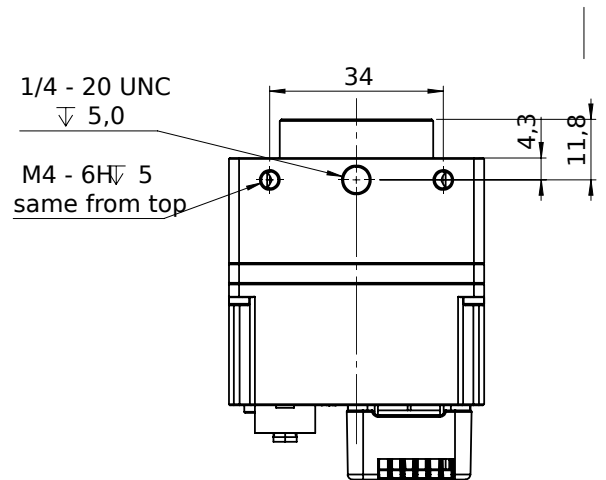
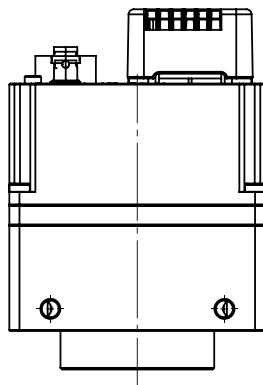
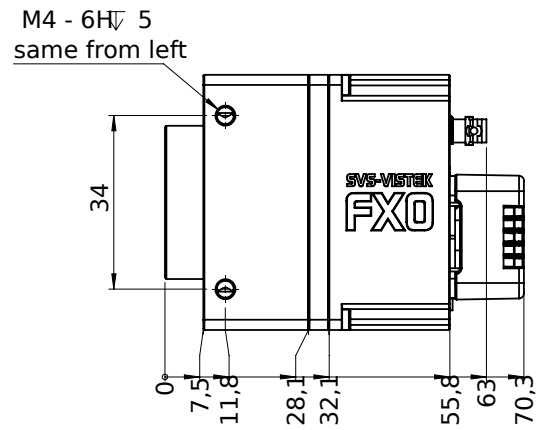
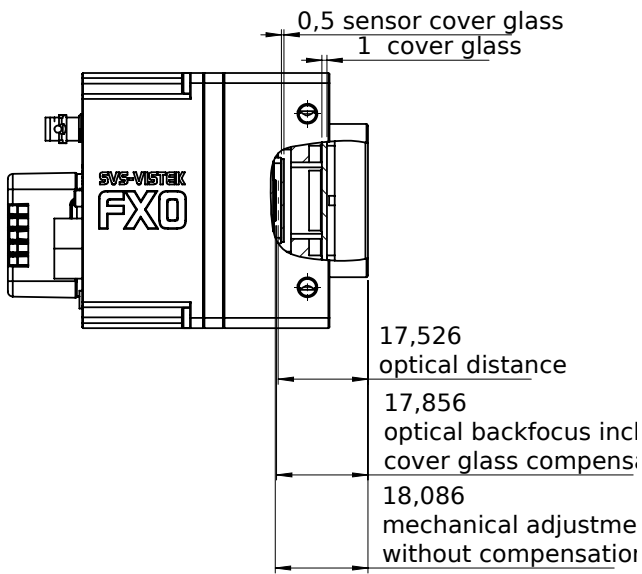
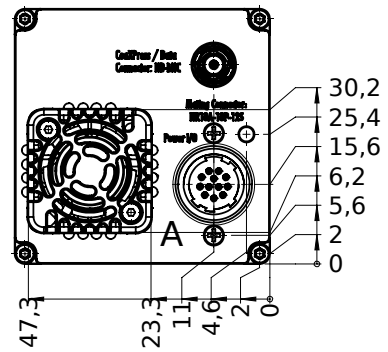
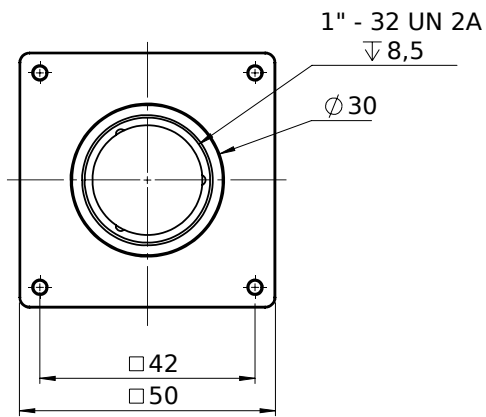
Exposure modes:	Manual, Auto, External
Gain modes:	Auto, Manual
White balance modes:	auto, manual
Image control features:	FW Features - Image Control

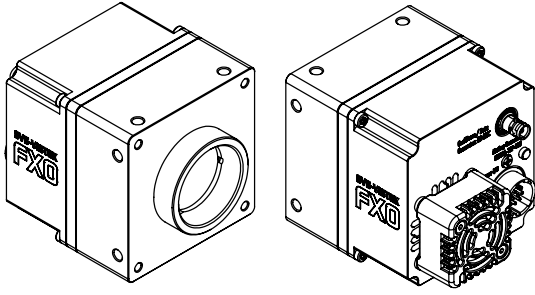
FW features - camera control

Trigger modes/sync: INTERNAL,SOFTWARE,EXTERNAL

Camera control features: PoCxP, User Sets, PWM(4), Sequencer,







I/O pin assignment

Hirose 12 Pin



1	VIN - (GND)	7	OUT1 (open drain)
2	VIN + (10V to 25V DC)	8	OUT2 (open drain)
3	IN4 (RXD RS232)	9	IN3 + (opto In +)
4	OUT4 (TXD RS232)	10	IN3 - (opto In -)
5	IN1 (0-24V)	11	OUT3 (open drain)
6	IN2 (0-24V)	12	OUT0 (open drain)