



General

Model:	fxo541MCX
Product code:	F002086
Product series:	FXO CoaXPress
Status:	Available

Sensor

Sensor type:	Area scan
Chroma:	Mono
Spectrum:	Visible
Spectral range:	400 nm to 1000 nm
Resolution:	4,480 × 4,504 (20.20 MP)
Sensor model:	Sony IMX541LLA
Sensor architecture (material):	cmos
Shutter type(s):	global-shutter
Sensor size:	12.28 × 12.34 mm (17.41 mm, 17.5mm (Type 1.1))
Pixel size:	2.74 μm × 2.74 μm

Pixel formats

Sensor bit depth:	8-Bit,12-Bit
Monochrome pixel formats:	mono8, mono12

Imaging performance

Dynamic range:	72 dB
SNR:	39.7 dB

Timing and gain

Max. frame rate:	35.7
Exposure time:	21 μ s to 60 s
Gain:	0.0 dB to 48.0 dB

I/Os and power

Non-isolated lines:	0 x LVDS input, 0 x LVDS output, 0 x TTL input, 0 x TTL output, 2 x 24V input, 4 x Open drain output,
Specific non-isolated lines:	1 x RS232 input, 1 x RS232 output, 0 x RS422 input, 0 x RS422 output,
Opto-isolated lines:	1 x Optical isolated input, 0 x Optical isolated input,
Power supply:	10 to 25VDC, Power over CoaXPress
Power consumption:	External: 8 W (typical)

Operating conditions

Operating temperature (housing):	-10 °C to 65 °C
----------------------------------	-----------------

Mechanical properties

Body dimensions (L x W x H in mm):	70 x 50 x 50
Filter/protection glass:	K9 - AR coating - 400-850nm
IP class:	IP30
Lens mount(s):	C-Mount
Weight:	240 g

On-board memory and FPGA

Non-volatile memory (Flash):	32 MByte
------------------------------	----------

Interfaces

Digital interface:	cxp-12 with 1 connection
Interface connector:	(micro-BNC)

FW features - image control

Exposure modes:	Manual, Auto, External
Gain modes:	Auto, Manual
Image control features:	FW Features - Image Control

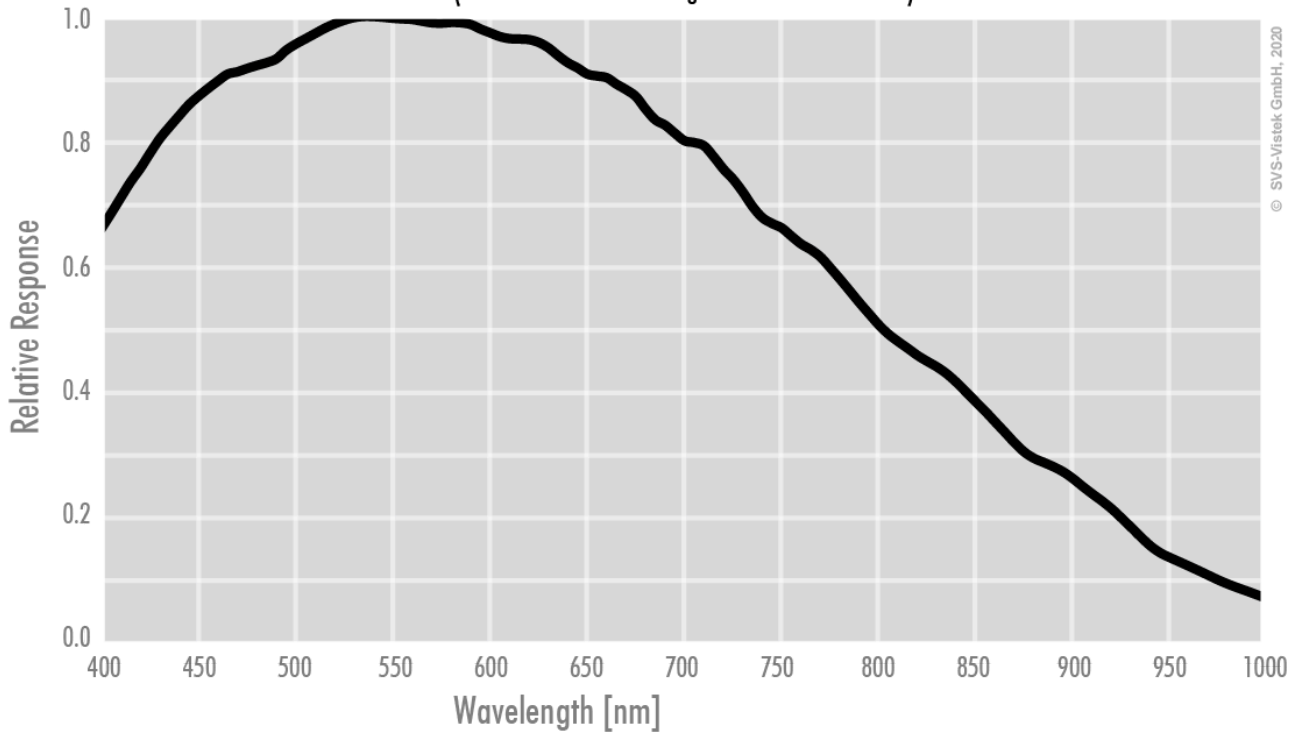
FW features - camera control

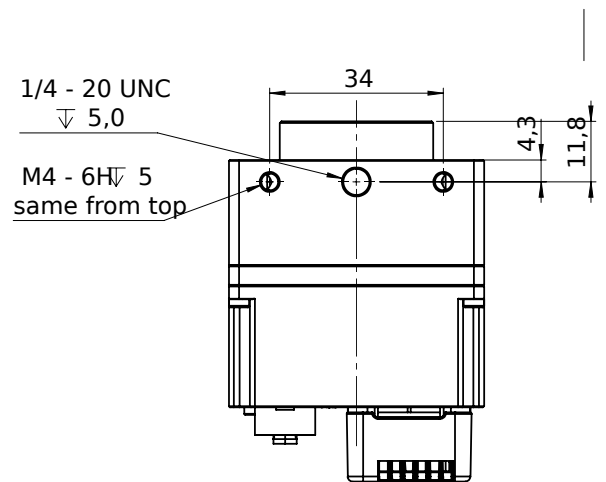
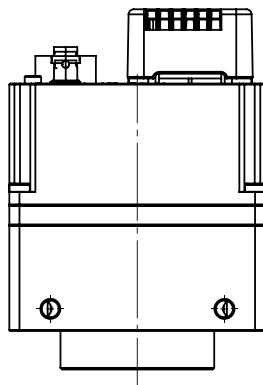
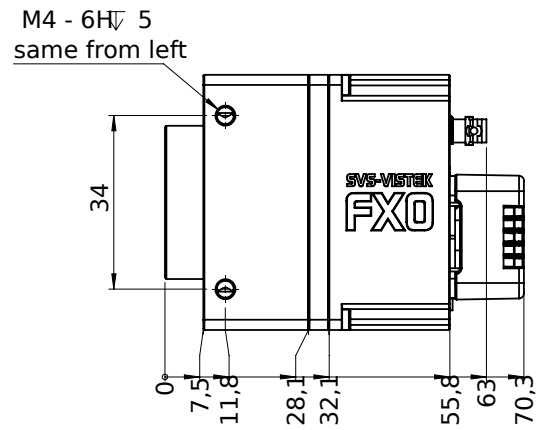
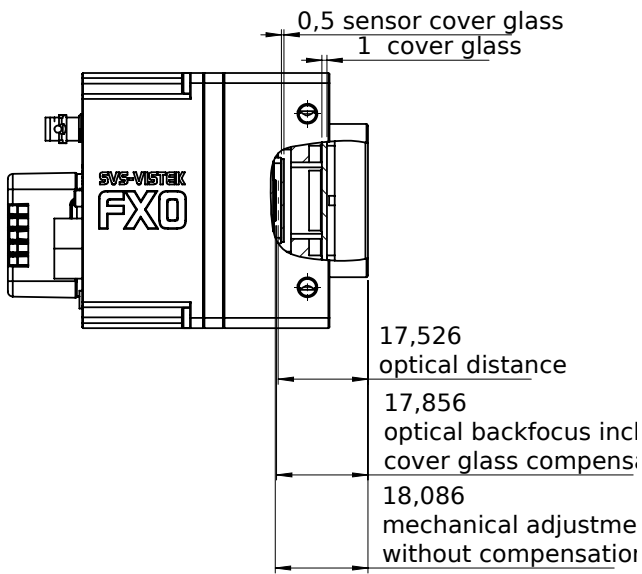
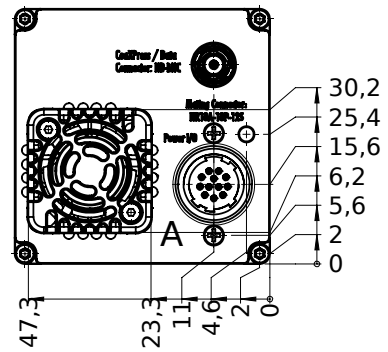
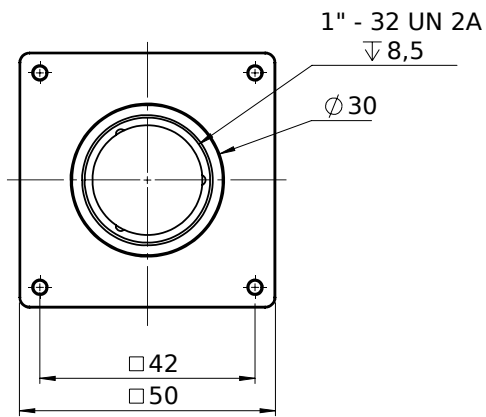
Trigger modes/sync: INTERNAL,SOFTWARE,EXTERNAL

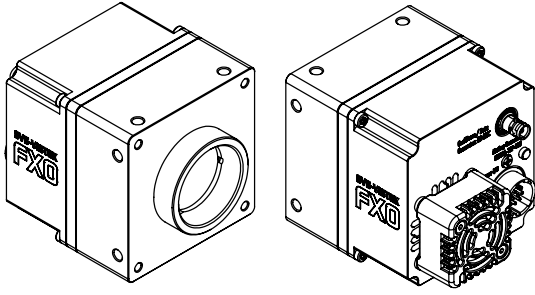
Camera control features: PoCxP, User Sets, PWM(4), Sequencer,

Monochrome

(not included: lens- and light source characteristics)







I/O pin assignment

Hirose 12 Pin



1	VIN - (GND)	7	OUT 1 (open drain)
2	VIN + (10 V to 25 V DC)	8	OUT 2 (open drain)
3	IN 4 (RXD RS232)	9	IN 3 + (opto In +)
4	OUT 4 (TXD RS232)	10	IN 3 - (opto In -)
5	IN 1 (0-24V)	11	OUT 3 (open drain)
6	IN 2 (0-24V)	12	OUT 0 (open drain)