

# FXO CoaXPress

fxo540CCX



## General

Model	fxo540CCX
Product code	F002085
Product series	FXO CoaXPress
Status	Available

## Sensor

Sensor type	Area scan
Chroma	Color
Spectrum	Visible
Spectral range	400 nm to 1000 nm
Resolution	5,312 × 4,600 (24.40 MP)
Sensor model	Sony IMX540
Sensor architecture (material)	cmos
Shutter type(s)	global-shutter
Sensor size	14.55 × 12.6 mm (19.25 mm, 19.3mm (Type 1.2))
Pixel size	2.74 μm × 2.74 μm

## Pixel formats

Sensor bit depth	8-Bit,12-Bit
RGB pixel formats	bayer8, bayer12

## Imaging performance

Dynamic range	72 dB
SNR	39.6 dB

## Timing and gain

Max. frame rate	30.4 fps
Exposure time	21 $\mu$ s to 60 s
Gain	0.0 dB to 48.0 dB

## I/Os and power

Non-isolated lines	0 x LVDS input, 0 x LVDS output, 0 x TTL input, 0 x TTL output, 2 x 24V input, 4 x Open drain output,
Specific non-isolated lines	1 x RS232 input, 1 x RS232 output, 0 x RS422 input, 0 x RS422 output,
Opto-isolated lines	1 x Optical isolated input, 0 x Optical isolated input,
Power supply	10 to 25VDC, Power over CoaXPress
Power consumption	External: 8 W (typical)

## Operating conditions

Operating temperature (housing)	-10 °C to 65 °C
---------------------------------	-----------------

## Mechanical properties

Body dimensions (L x W x H in mm)	70 x 50 x 50
IP class	IP30
Lens mount(s)	C-Mount
Weight	240 g

## On-board memory and FPGA

Non-volatile memory (Flash)	32 MByte
-----------------------------	----------

## Interfaces

Digital interface	xcp-12 with 1 connection
Interface connector	(micro-BNC)

## FW features - image control

Exposure modes	Manual, Auto, External
Gain modes	Auto, Manual
White balance modes	auto, manual
Image control features	FW Features - Image Control

## FW features - camera control

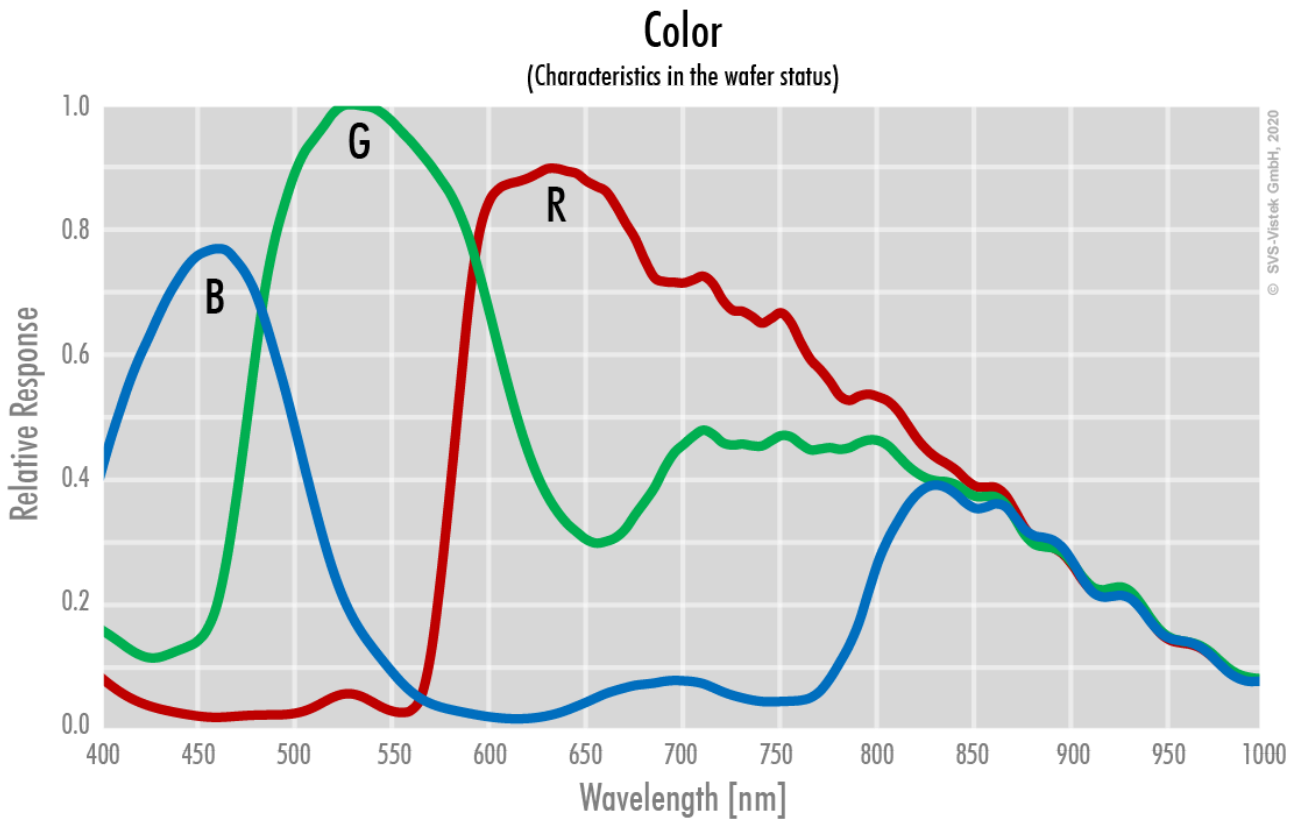
Trigger modes/sync

INTERNAL,SOFTWARE,EXTERNAL

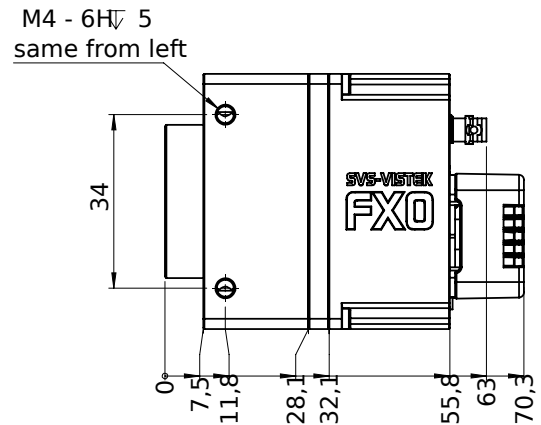
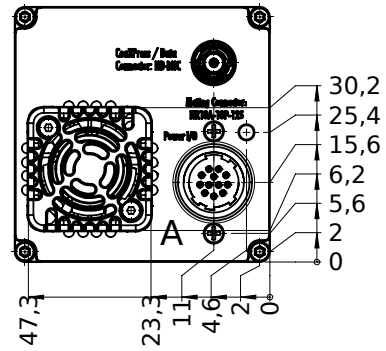
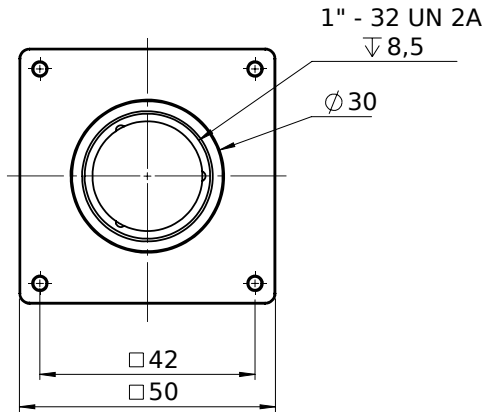
Camera control features

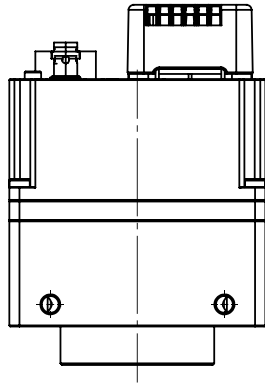
PoCxP, User Sets, PWM(4), Sequencer,

Quantum Efficiency

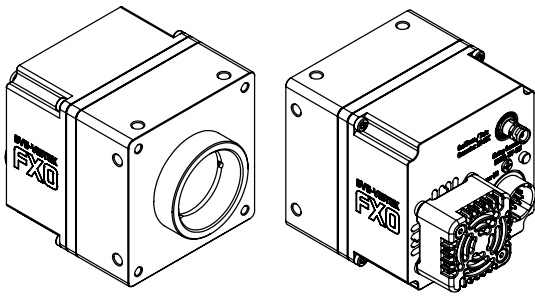
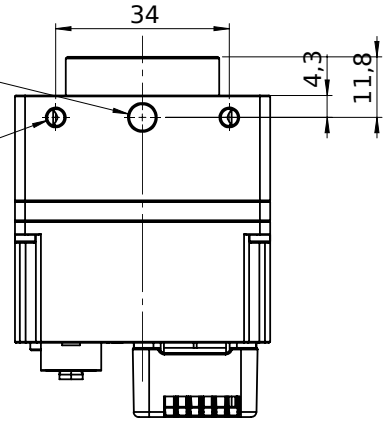


Technical Drawing





1/4 - 20 UNC  
 ▽ 5,0  
 M4 - 6H ▽ 5  
 same from top



## I/O pin assignment



Hirose 12 Pin

1	VIN - (GND)	7	OUT 1 (open drain)
2	VIN + (10V to 25V DC)	8	OUT 2 (open drain)
3	IN 4 (RXD RS232)	9	IN 3 + (opto In +)
4	OUT 4 (TXD RS232)	10	IN 3 - (opto In -)
5	IN 1 (0-24V)	11	OUT 3 (open drain)
6	IN 2 (0-24V)	12	OUT 0 (open drain)