

# FXO CoaXPress

fxo540CCX



## General

|                 |               |
|-----------------|---------------|
| Model:          | fxo540CCX     |
| Product code:   | F002085       |
| Product series: | FXO CoaXPress |
| Status:         | Available     |

## Sensor

|                                 |   |
|---------------------------------|---|
| Sensor type:                    | Area scan                                     |
| Chroma:                         | Color   |
| Spectrum:                       | Visible                                       |
| Spectral range:                 | 400 nm to 1000 nm                             |
| Resolution:                     | 5,312 × 4,600 (24.40 MP)                      |
| Sensor model:                   | Sony IMX540                                   |
| Sensor architecture (material): | cmos  |
| Shutter type(s):                | global-shutter                                |
| Sensor size:                    | 14.55 × 12.6 mm (19.25 mm, 19.3mm (Type 1.2)) |
| Pixel size:                     | 2.74 μm × 2.74 μm                             |

## Pixel formats

|                    |                 |
|--------------------|-----------------|
| Sensor bit depth:  | 8-Bit,12-Bit    |
| RGB pixel formats: | bayer8, bayer12 |

## Imaging performance

|                |         |
|----------------|---------|
| Dynamic range: | 72 dB   |
| SNR:           | 39.6 dB |

## Timing and gain

|                  |                    |
|------------------|--------------------|
| Max. frame rate: | 30.4 fps           |
| Exposure time:   | 21 $\mu$ s to 60 s |
| Gain:            | 0.0 dB to 48.0 dB  |

## I/Os and power

|                              |   |
|------------------------------|---|
| Non-isolated lines:          | 0 x LVDS input, 0 x LVDS output, 0 x TTL input, 0 x TTL output, 2 x 24V input, 4 x Open drain output, |
| Specific non-isolated lines: | 1 x RS232 input, 1 x RS232 output, 0 x RS422 input, 0 x RS422 output,                                 |
| Opto-isolated lines:         | 1 x Optical isolated input, 0 x Optical isolated input,   |
| Power supply:                | 10 to 25VDC, Power over CoaXPress   |
| Power consumption:           | External: 8 W (typical)   |

## Operating conditions

|                                  |                 |
|----------------------------------|-----------------|
| Operating temperature (housing): | -10 °C to 65 °C |
|----------------------------------|-----------------|

## Mechanical properties

|                                    |              |
|------------------------------------|--------------|
| Body dimensions (L x W x H in mm): | 70 x 50 x 50 |
| IP class:                          | IP30         |
| Lens mount(s):                     | C-Mount      |
| Weight:                            | 240 g        |

## On-board memory and FPGA

|                              |          |
|------------------------------|----------|
| Non-volatile memory (Flash): | 32 MByte |
|------------------------------|----------|

## Interfaces

|                      |                          |
|----------------------|--------------------------|
| Digital interface:   | cxp-12 with 1 connection |
| Interface connector: | (micro-BNC)              |

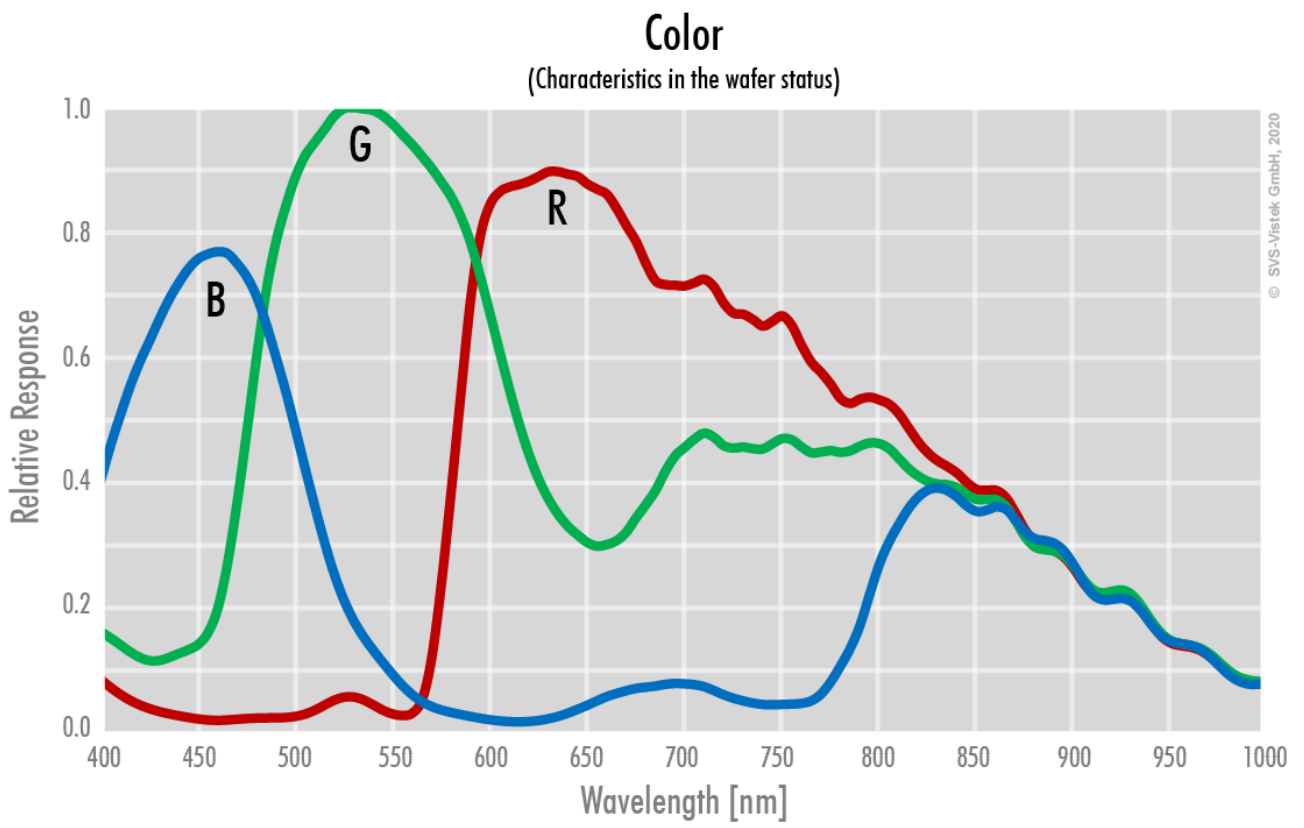
## FW features - image control

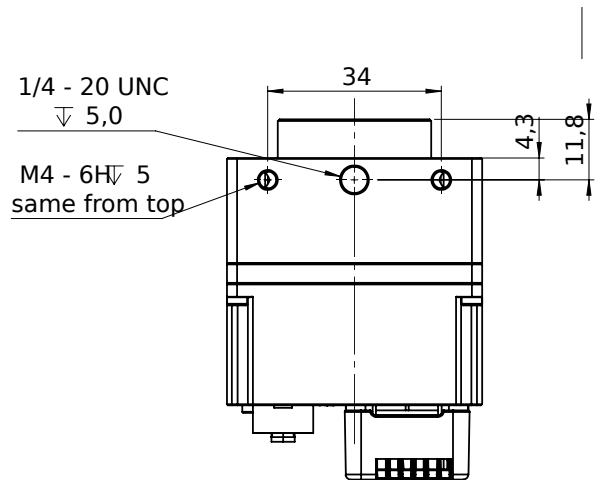
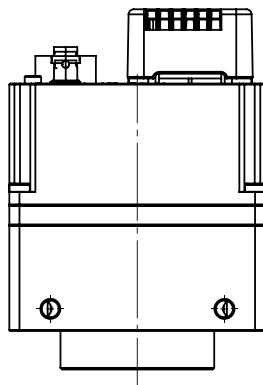
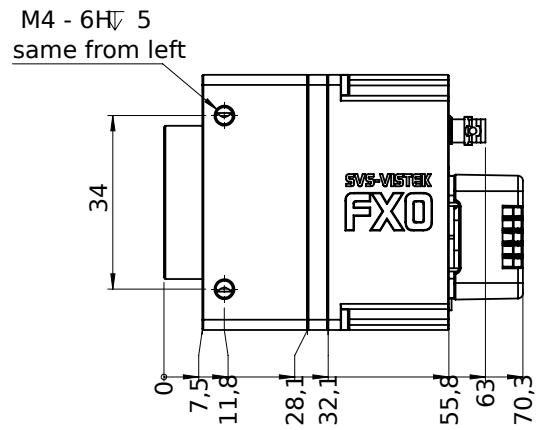
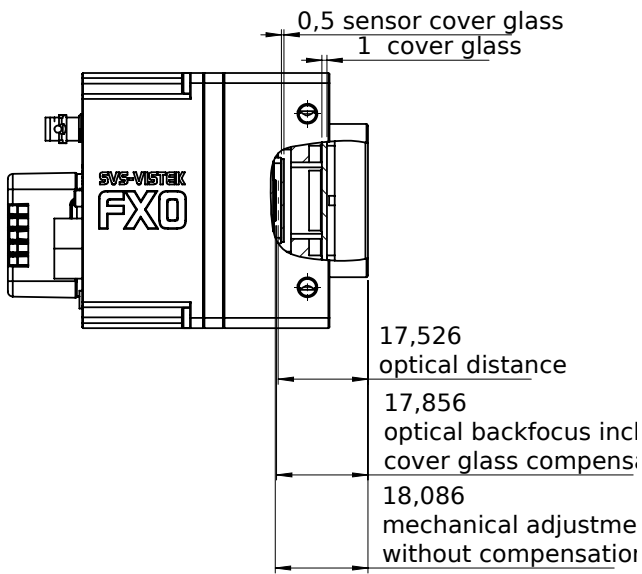
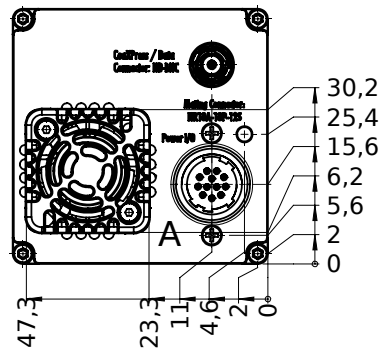
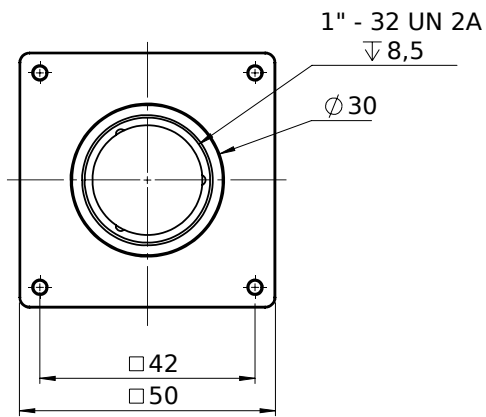
|                         |                             |
|-------------------------|-----------------------------|
| Exposure modes:         | Manual, Auto, External      |
| Gain modes:             | Auto, Manual                |
| White balance modes:    | auto, manual                |
| Image control features: | FW Features - Image Control |

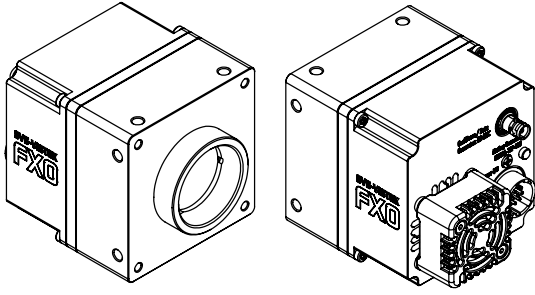
## FW features - camera control

Trigger modes/sync: INTERNAL,SOFTWARE,EXTERNAL

Camera control features: PoCxP, User Sets, PWM(4), Sequencer,







## I/O pin assignment

Hirose 12 Pin



|   |                       |    |                   |
|---|-----------------------|----|-------------------|
| 1 | VIN - (GND)           | 7  | OUT1 (open drain) |
| 2 | VIN + (10V to 25V DC) | 8  | OUT2 (open drain) |
| 3 | IN4 (RXD RS232)       | 9  | IN3 + (opto In +) |
| 4 | OUT4 (TXD RS232)      | 10 | IN3 - (opto In -) |
| 5 | IN1 (0-24V)           | 11 | OUT3 (open drain) |
| 6 | IN2 (0-24V)           | 12 | OUT0 (open drain) |