

# FXO CoaXPress

fxo540MCX



## General

Model:	fxo540MCX
Product code:	F002084
Product series:	FXO CoaXPress
Status:	Available

## Sensor

Sensor type:	Area scan
Chroma:	Mono
Spectrum:	Visible
Spectral range:	400 nm to 1000 nm
Resolution:	5,312 × 4,600 (24.40 MP)
Sensor model:	Sony IMX540LLA
Sensor architecture (material):	cmos
Shutter type(s):	global-shutter
Sensor size:	14.55 × 12.6 mm (19.25 mm, 19.3mm (Type 1.2))
Pixel size:	2.74 μm × 2.74 μm

## Pixel formats

Sensor bit depth:	8-Bit, 12-Bit
Monochrome pixel formats:	mono8, mono12

## Imaging performance

Dynamic range:	72 dB
SNR:	39.5 dB

## Timing and gain

Max. frame rate:	30.4
Exposure time:	10 $\mu$ s to 60 s
Gain:	0.0 dB to 48.0 dB

## I/Os and power

Non-isolated lines:	0 x LVDS input, 0 x LVDS output, 0 x TTL input, 0 x TTL output, 2 x 24V input, 4 x Open drain output,
Specific non-isolated lines:	1 x RS232 input, 1 x RS232 output, 0 x RS422 input, 0 x RS422 output,
Opto-isolated lines:	1 x Optical isolated input, 0 x Optical isolated input,
Power supply:	10 to 25VDC, Power over CoaXPress
Power consumption:	External: 8 W (typical)

## Operating conditions

Operating temperature (housing):	-10 °C to 65 °C
----------------------------------	-----------------

## Mechanical properties

Body dimensions (L x W x H in mm):	70 x 50 x 50
Filter/protection glass:	K9 - AR coating - 400-850nm
IP class:	IP30
Lens mount(s):	C-Mount
Weight:	240 g

## On-board memory and FPGA

Non-volatile memory (Flash):	32 MByte
------------------------------	----------

## Interfaces

Digital interface:	cxp-12 with 1 connection
Interface connector:	(micro-BNC)

## FW features - image control

Exposure modes:	Manual, Auto, External
Gain modes:	Auto, Manual
Image control features:	FW Features - Image Control

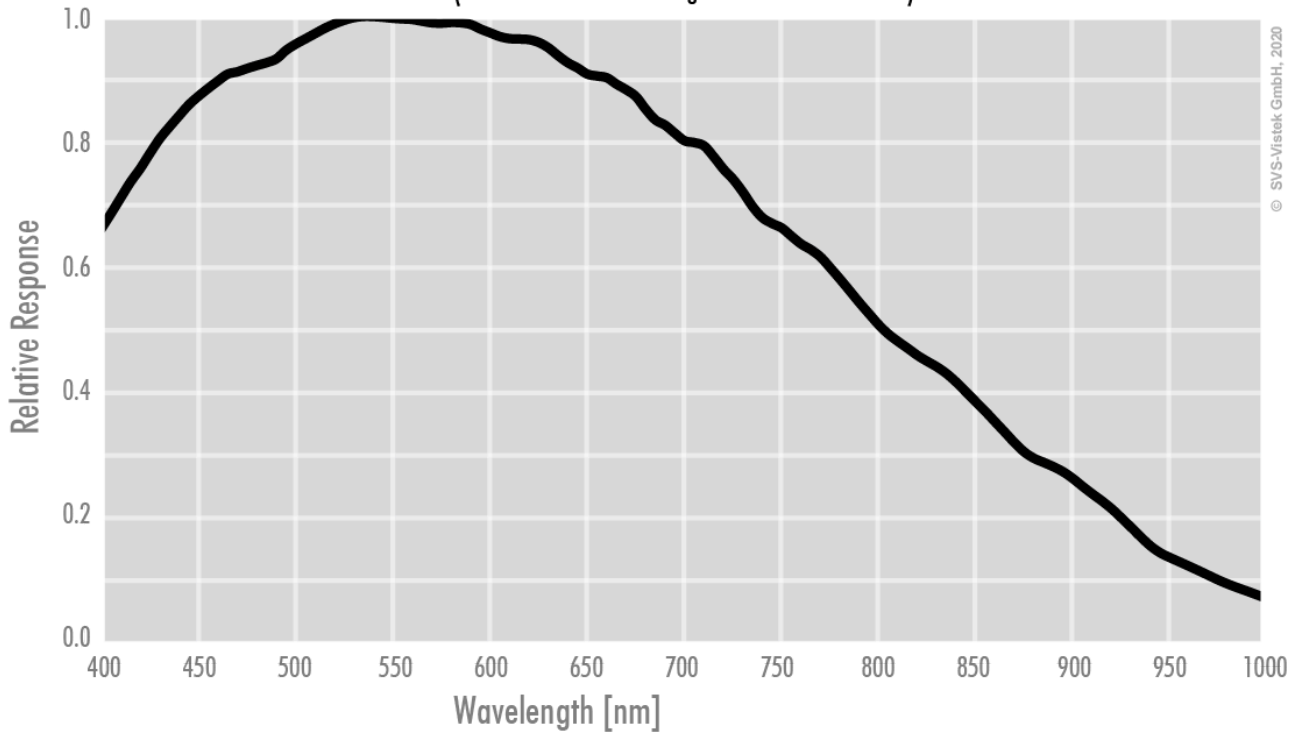
## FW features - camera control

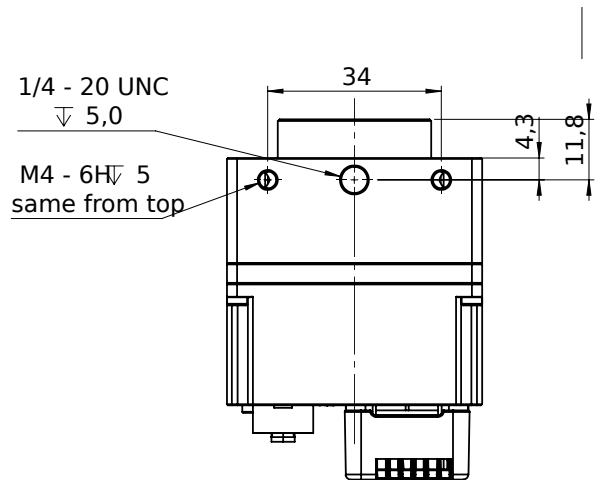
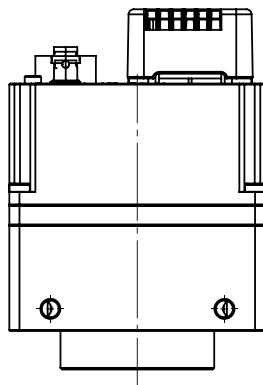
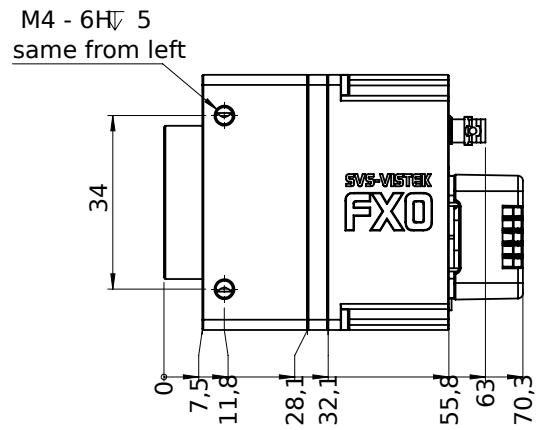
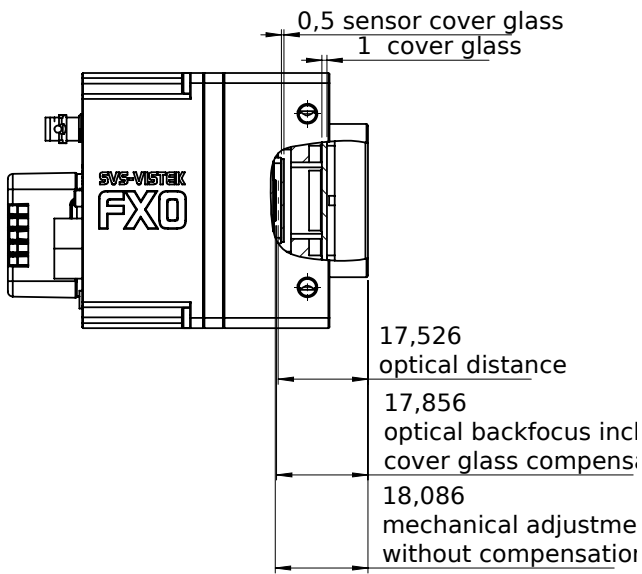
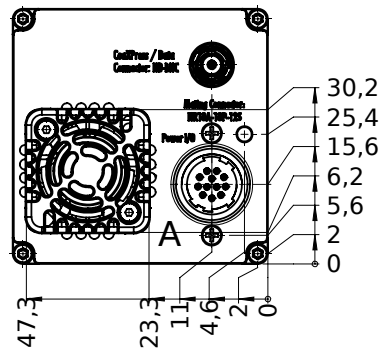
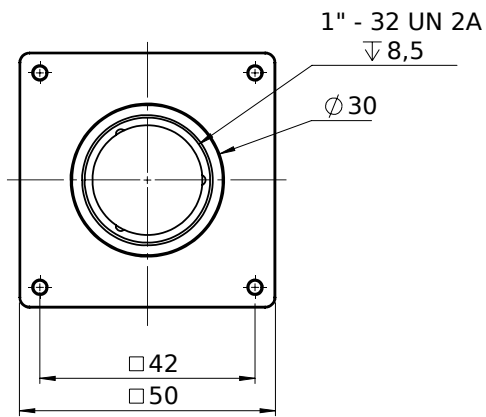
Trigger modes/sync: INTERNAL,SOFTWARE,EXTERNAL

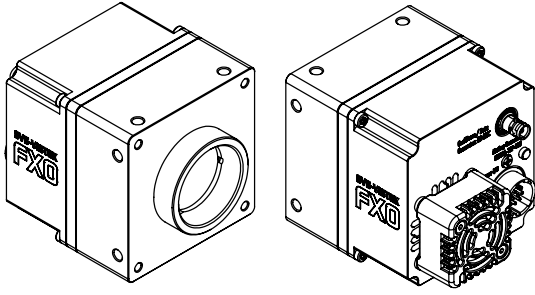
Camera control features: PoCxP, User Sets, PWM(4), Sequencer,

## Monochrome

(not included: lens- and light source characteristics)







## I/O pin assignment

Hirose 12 Pin



1	VIN - (GND)	7	OUT 1 (open drain)
2	VIN + (10 V to 25 V DC)	8	OUT 2 (open drain)
3	IN 4 (RXD RS232)	9	IN 3 + (opto In +)
4	OUT 4 (TXD RS232)	10	IN 3 - (opto In -)
5	IN 1 (0-24V)	11	OUT 3 (open drain)
6	IN 2 (0-24V)	12	OUT 0 (open drain)