

FXO 10GigE

fxo547CXGE



General

Model:	fxo547CXGE
Product code:	F002125
Product series:	FXO 10GigE
Status:	Available

Sensor

Sensor type:	Area scan
Chroma:	Color
Spectrum:	Visible
Spectral range:	400 nm to 1000 nm
Resolution:	2,448 × 2,048 (5.00 MP)
Sensor model:	Sony IMX547LQA
Sensor architecture (material):	cmos
Shutter type(s):	global-shutter
Sensor size:	6.71 × 5.61 mm (8.75 mm, 8.8mm (Type 1/1.8))
Pixel size:	2.74 μm × 2.74 μm

Pixel formats

Sensor bit depth:	8-Bit, 12-Bit
RGB pixel formats:	bayer8, bayer12

Imaging performance

Dynamic range: 72 dB

SNR: 39 dB

Timing and gain

Max. frame rate: 124 fps

Exposure time: 6 μ s to 60 s

Gain: 0.0 dB to 48.0 dB

I/Os and power

Non-isolated lines: 0 x LVDS input, 0 x LVDS output, 0 x TTL input, 0 x TTL output, 2 x 24V input, 4 x Open drain output,

Specific non-isolated lines: 1 x RS232 input, 1 x RS232 output, 0 x RS422 input, 0 x RS422 output,

Opto-isolated lines: 1 x Optical isolated input, 0 x Optical isolated input,

Power supply: 10 to 25VDC, Power over Ethernet

Power consumption: External: 9 W (typical)

Operating conditions

Operating temperature (housing): -10 °C to 60 °C

Mechanical properties

Body dimensions (L x W x H in mm): 76 x 50 x 50

Filter/protection glass: IR-Cut 680

IP class: IP30

Lens mount(s): C-Mount

Weight: 240 g

On-board memory and FPGA

Image buffer (RAM): 896 MByte

Non-volatile memory (Flash): 32 MByte

Interfaces

Digital interface: 10gige

Interface connector: (RJ-45)

FW features - image control

Exposure modes: Manual, Auto, External

Gain modes: Auto, Manual

FW features - image control

White balance modes: auto, manual

Image control features: FW Features - Image Control

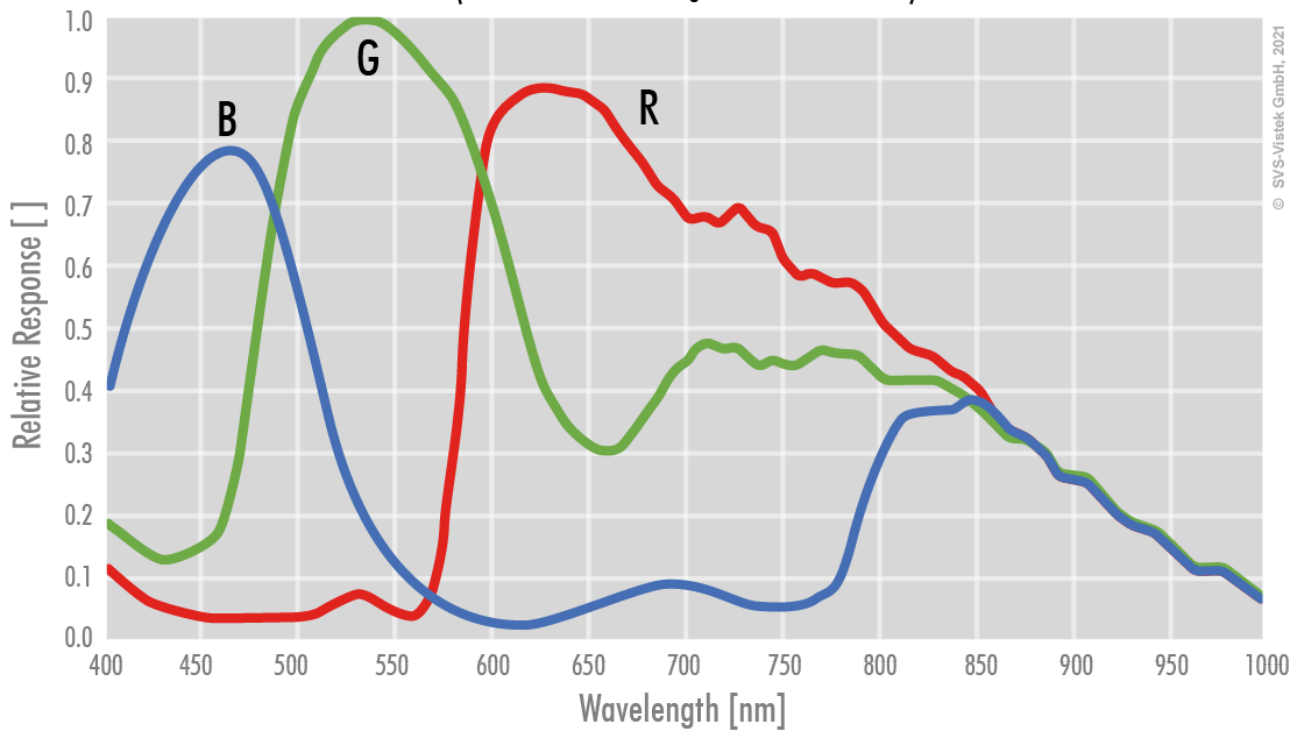
FW features - camera control

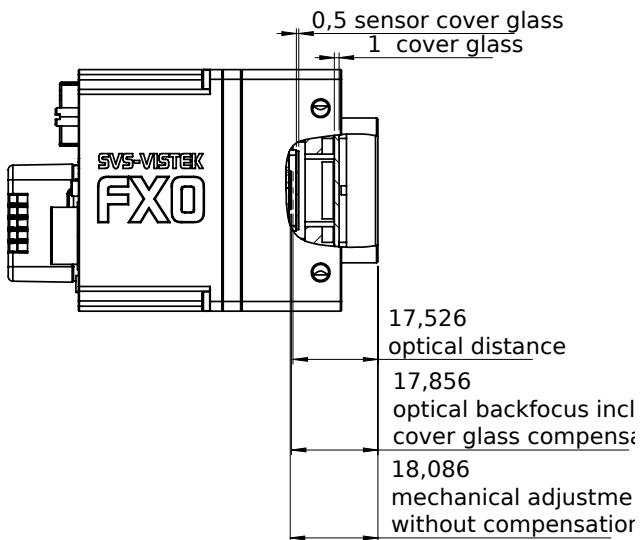
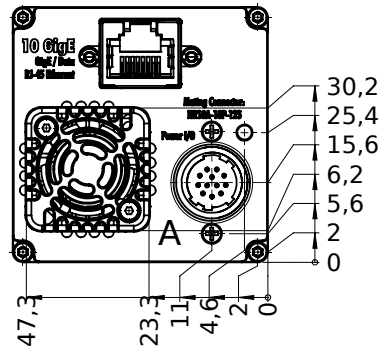
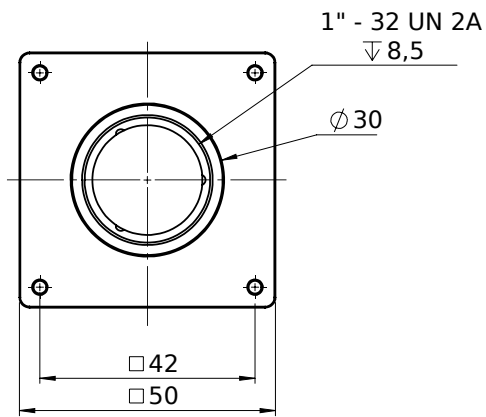
Trigger modes/sync: INTERNAL,SOFTWARE,EXTERNAL

Camera control features: PTP, User Sets, POE, PWM(4), Sequencer,

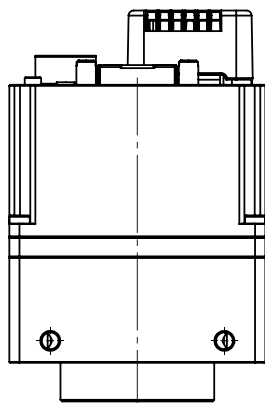
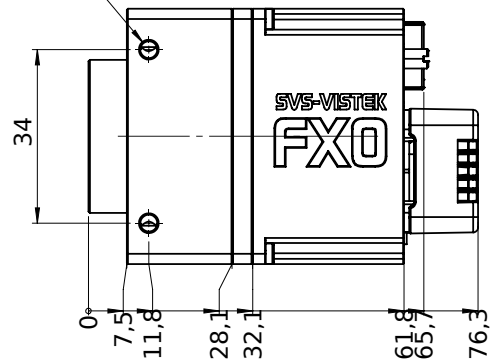
Color

(not included: lens- and light source characteristics)

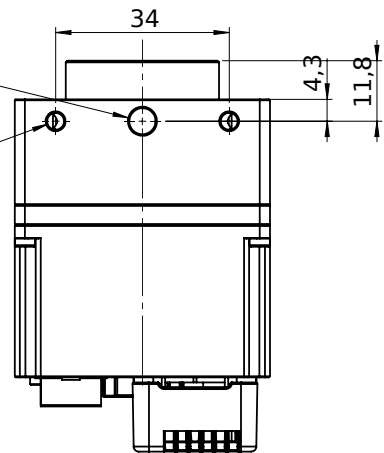


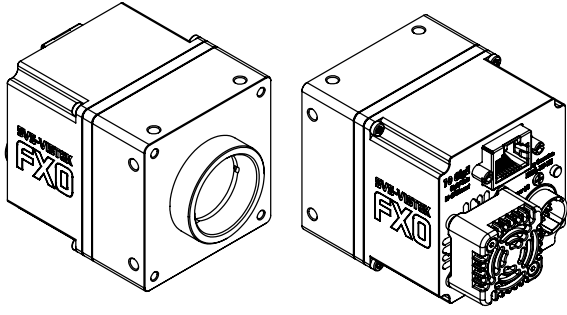


M4 - 6H ∇ 5
 same from left



1/4 - 20 UNC
 ∇ 5,0
 M4 - 6H ∇ 5
 same from top





I/O pin assignment

Hirose 12 Pin



1	VIN - (GND)	7	OUT1 (open drain)
2	VIN + (10V to 25V DC)	8	OUT2 (open drain)
3	IN4 (RXD RS232)	9	IN3 + (opto In +)
4	OUT4 (TXD RS232)	10	IN3 - (opto In -)
5	IN1 (0-24V)	11	OUT3 (open drain)
6	IN2 (0-24V)	12	OUT0 (open drain)