

EXO GigE

exo342MGE



General

Model	exo342MGE
Product code	F002197
Product series	EXO GigE
Status	Available

Sensor

Sensor type	Area scan
Chroma	Mono
Spectrum	Visible
Spectral range	400 nm to 1000 nm
Resolution	6,464 × 4,852 (31.40 MP)
Sensor model	Sony IMX342
Sensor architecture (material)	cmos
Shutter type(s)	global-shutter
Sensor size	22.3 × 16.74 mm (27.88 mm, 27.9mm (APS-C))
Pixel size	3.45 μm × 3.45 μm

Pixel formats

Sensor bit depth	8-Bit,12-Bit,12-Bit
Monochrome pixel formats	mono8, mono12packed

Imaging performance

Dynamic range	70.5 dB
SNR	39.9 dB

Timing and gain

Max. frame rate	3.8 fps
Max. frame rate burst	7.6 fps
Exposure time	56 μ s to 60 s
Gain	0.0 dB to 48.0 dB

I/Os and power

Non-isolated lines	0 x LVDS input, 0 x LVDS output, 0 x TTL input, 0 x TTL output, 2 x 24V input, 4 x Open drain output,
Specific non-isolated lines	1 x RS232 input, 1 x RS232 output, 0 x RS422 input, 0 x RS422 output,
Opto-isolated lines	1 x Optical isolated input, 0 x Optical isolated input,
Power supply	10 to 25VDC, Power over Ethernet
Power consumption	External: 6 W (typical)

Operating conditions

Operating temperature (housing)	-10 °C to 65 °C
---------------------------------	-----------------

Mechanical properties

Body dimensions (L x W x H in mm)	46 x 58 x 58
Filter/protection glass	K9 - AR coating
IP class	IP40
Lens mount(s)	M42
Weight	400 g

On-board memory and FPGA

Image buffer (RAM)	192 MByte
Non-volatile memory (Flash)	32 MByte

Interfaces

Digital interface	gige
Interface connector	(RJ-45)

FW features - image control

Exposure modes	Manual, Auto, External
Gain modes	Auto, Manual

FW features - image control

Image control features

FW Features - Image Control

FW features - camera control

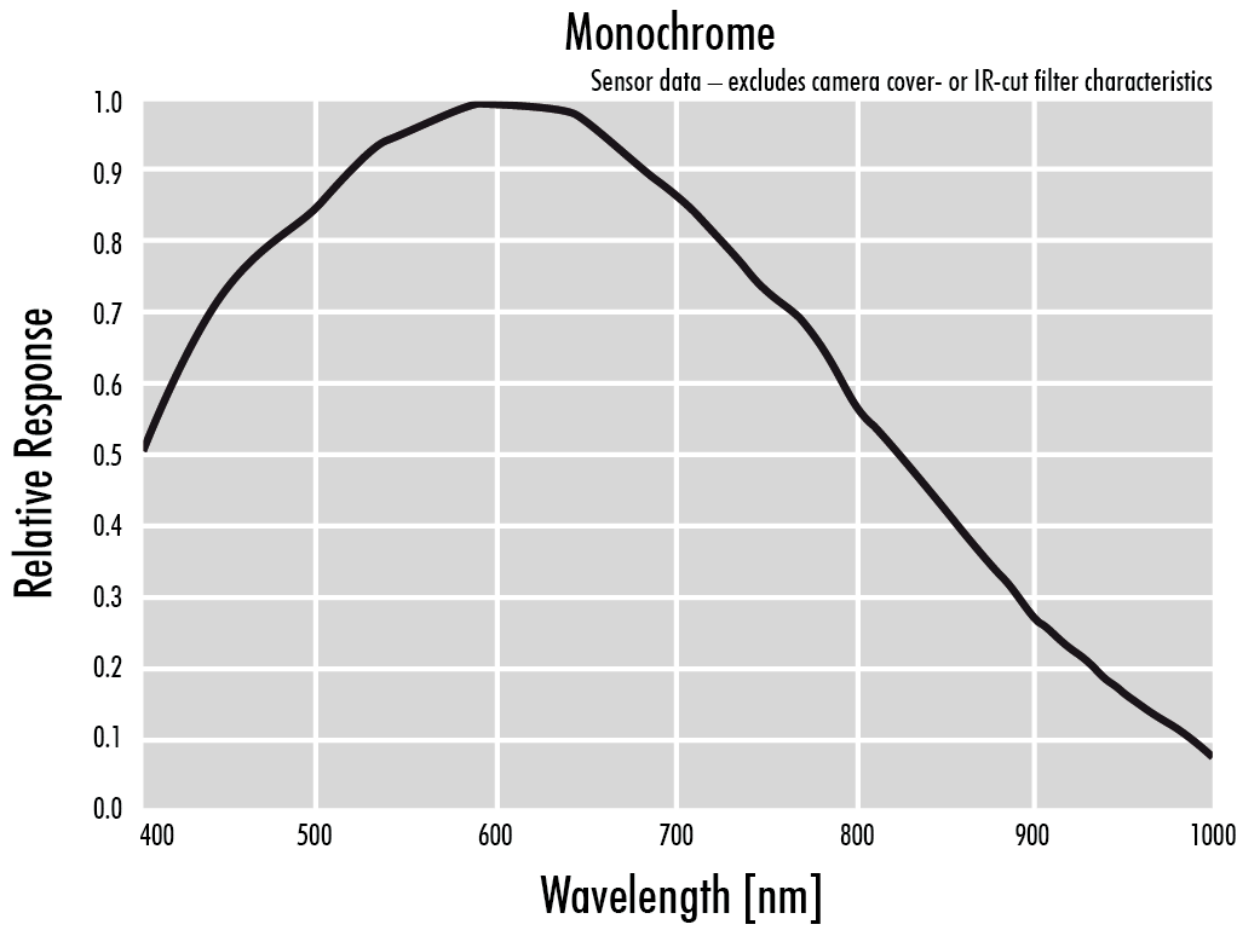
Trigger modes/sync

INTERNAL,SOFTWARE,EXTERNAL

Camera control features

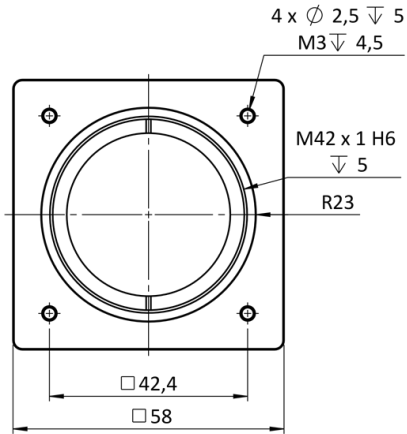
PTP, BurstMode, User Sets, POE, PWM(4), Sequencer,

Quantum Efficiency

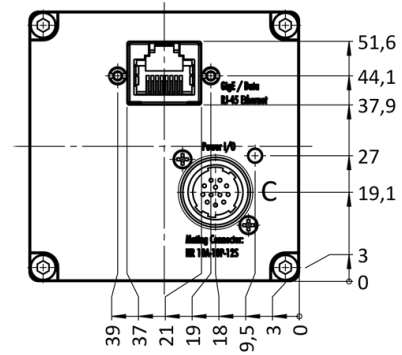


Technical Drawing

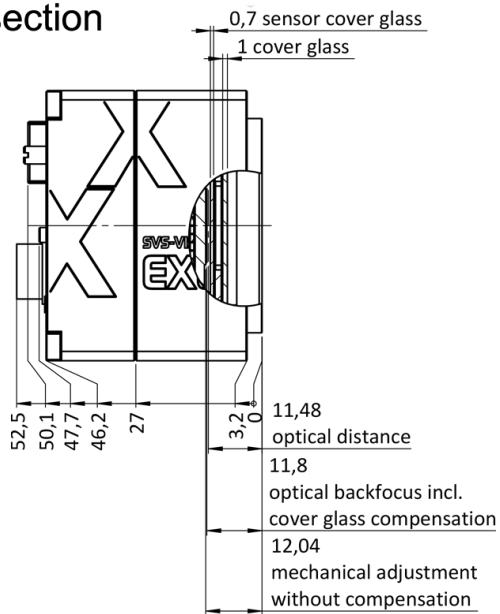
front



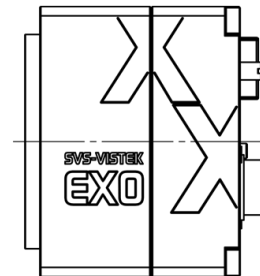
back



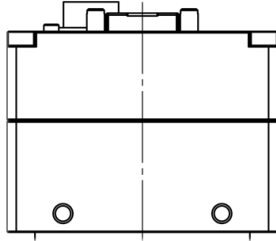
cross section



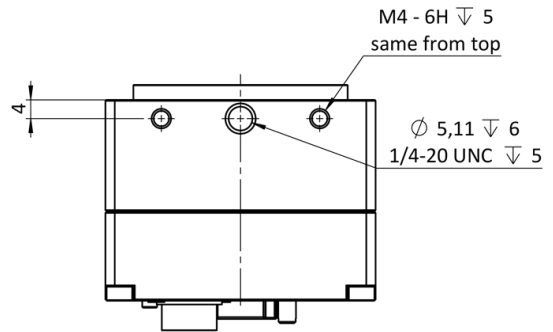
right side



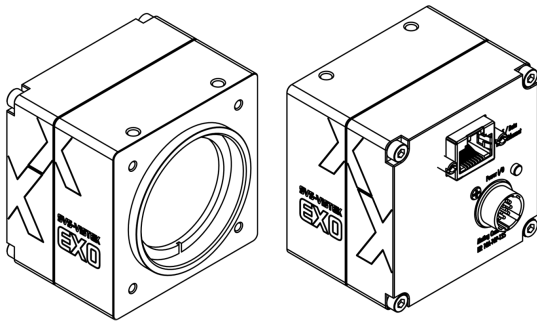
top



bottom



3D



I/O pin assignment



1	VIN - (GND)	7	OUT 1 (open drain)
2	VIN + (10 V to 25 V DC)	8	OUT 2 (open drain)
3	IN 4 (RXD RS232)	9	IN 3 + (opto In +)
4	OUT 4 (TXD RS232)	10	IN 3 - (opto In -)
5	IN 1 (0-24V)	11	OUT 3 (open drain)
6	IN 2 (0-24V)	12	OUT 0 (open drain)