



General

Model:	exo183MGE
Product code:	F002192
Product series:	EXO GigE
Status:	Available

Sensor

Sensor type:	Area scan
Chroma:	Mono
Spectrum:	Visible
Spectral range:	400 nm to 1000 nm
Resolution:	5,496 × 3,672 (20.20 MP)
Sensor model:	Sony IMX183
Sensor architecture (material):	cmos
Shutter type(s):	rolling-shutter
Sensor size:	13.19 × 8.81 mm (15.86 mm, 15.86mm (Type 1))
Pixel size:	2.40 μm × 2.40 μm

Pixel formats

Sensor bit depth:	8-Bit,12-Bit,12-Bit
Monochrome pixel formats:	mono8, mono12packed

Imaging performance

Dynamic range:	71.5 dB
SNR:	40 dB

Timing and gain

Max. frame rate:	6 fps
Max. frame rate burst:	16 fps
Exposure time:	117 μ s to 60 s
Gain:	0.0 dB to 27.0 dB

I/Os and power

Non-isolated lines:	0 x LVDS input, 0 x LVDS output, 0 x TTL input, 0 x TTL output, 2 x 24V input, 4 x Open drain output,
Specific non-isolated lines:	1 x RS232 input, 1 x RS232 output, 0 x RS422 input, 0 x RS422 output,
Opto-isolated lines:	1 x Optical isolated input, 0 x Optical isolated input,
Power supply:	10 to 25VDC, Power over Ethernet
Power consumption:	External: 5 W (typical)

Operating conditions

Operating temperature (housing):	-10 °C to 60 °C
----------------------------------	-----------------

Mechanical properties

Body dimensions (L x W x H in mm):	43 x 50 x 50
Filter/protection glass:	K9 - AR coating - 400-850nm
IP class:	IP40
Lens mount(s):	C-Mount
Weight:	140 g

On-board memory and FPGA

Image buffer (RAM):	192 MByte
Non-volatile memory (Flash):	32 MByte

Interfaces

Digital interface:	gige
Interface connector:	(RJ-45)

FW features - image control

Exposure modes:	Manual, Auto
-----------------	--------------

FW features - image control

Gain modes: Auto, Manual

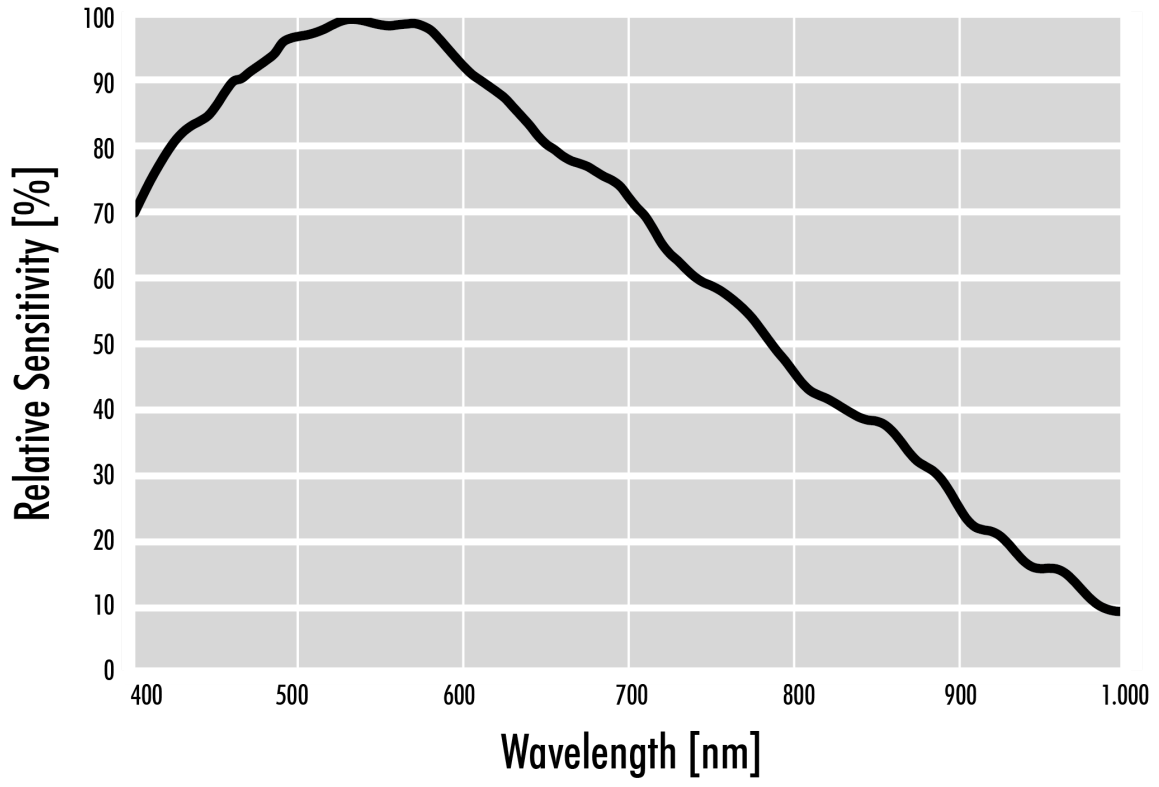
Image control features: FW Features - Image Control

FW features - camera control

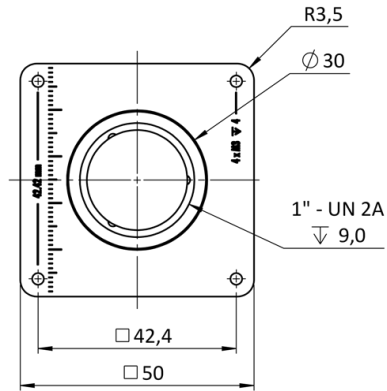
Trigger modes/sync: INTERNAL, SOFTWARE, EXTERNAL

Camera control features: BurstMode, User Sets, POE, PWM(4), Sequencer,

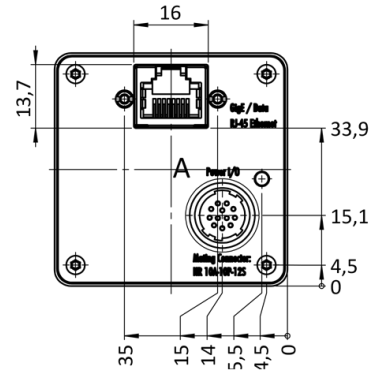
(Excludes lens- and light source characteristics)



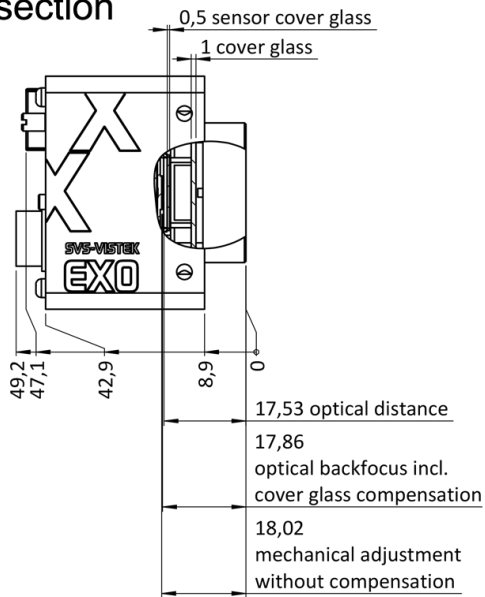
front



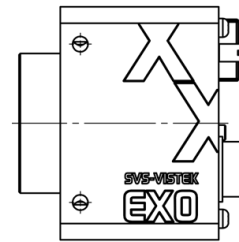
back



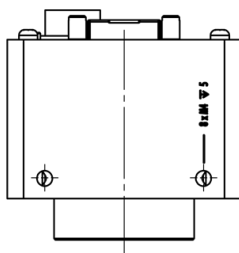
cross section



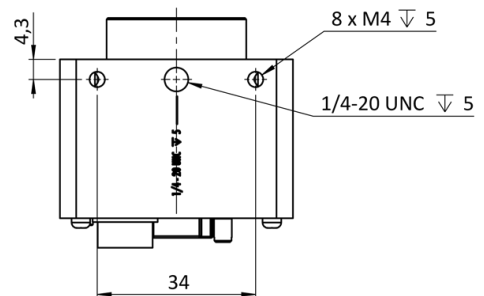
right side

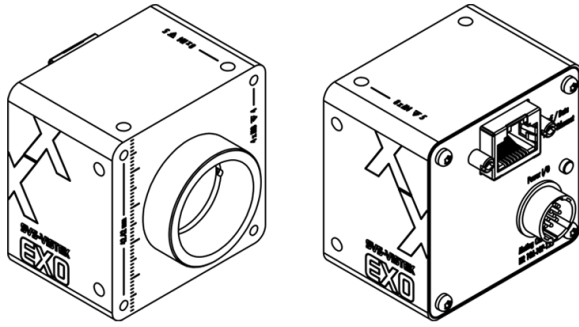


top



bottom





I/O pin assignment



1	VIN - (GND)	7	OUT 1 (open drain)
2	VIN + (10 V to 25 V DC)	8	OUT 2 (open drain)
3	IN 4 (RXD RS232)	9	IN 3 + (opto In +)
4	OUT 4 (TXD RS232)	10	IN 3 - (opto In -)
5	IN 1 (0-24V)	11	OUT 3 (open drain)
6	IN 2 (0-24V)	12	OUT 0 (open drain)