

EXO GigE

exo265CGE



General

Model	exo265CGE
Product code	F002187
Product series	EXO GigE
Status	Available

Sensor

Sensor type	Area scan
Chroma	Color
Spectrum	Visible
Spectral range	400 nm to 1000 nm
Resolution	2,048 × 1,536 (3.10 MP)
Sensor model	Sony IMX265
Sensor architecture (material)	cmos
Shutter type(s)	global-shutter
Sensor size	7.07 × 5.3 mm (8.83 mm, 8.9mm (Type 1/1.8))
Pixel size	3.45 μm × 3.45 μm

Pixel formats

Sensor bit depth	8-Bit,12-Bit,12-Bit
RGB pixel formats	bayer8, bayer12packed

Imaging performance

Dynamic range	72 dB
SNR	40 dB

Timing and gain

Max. frame rate	39 fps
Max. frame rate burst	56 fps
Exposure time	24 μ s to 60 s
Gain	0.0 dB to 48.0 dB

I/Os and power

Non-isolated lines	0 x LVDS input, 0 x LVDS output, 0 x TTL input, 0 x TTL output, 2 x 24V input, 4 x Open drain output,
Specific non-isolated lines	1 x RS232 input, 1 x RS232 output, 0 x RS422 input, 0 x RS422 output,
Opto-isolated lines	1 x Optical isolated input, 0 x Optical isolated input,
Power supply	10 to 25VDC, Power over Ethernet
Power consumption	External: 4.5 W (typical)

Operating conditions

Operating temperature (housing)	-10 °C to 60 °C
---------------------------------	-----------------

Mechanical properties

Body dimensions (L x W x H in mm)	43 x 50 x 50
IP class	IP40
Lens mount(s)	C-Mount
Weight	138 g

On-board memory and FPGA

Image buffer (RAM)	192 MByte
Non-volatile memory (Flash)	32 MByte

Interfaces

Digital interface	gige
Interface connector	(RJ-45)

FW features - image control

Exposure modes	Manual, Auto, External
Gain modes	Auto, Manual
White balance modes	auto, manual

FW features - image control

Image control features

FW Features - Image Control

FW features - camera control

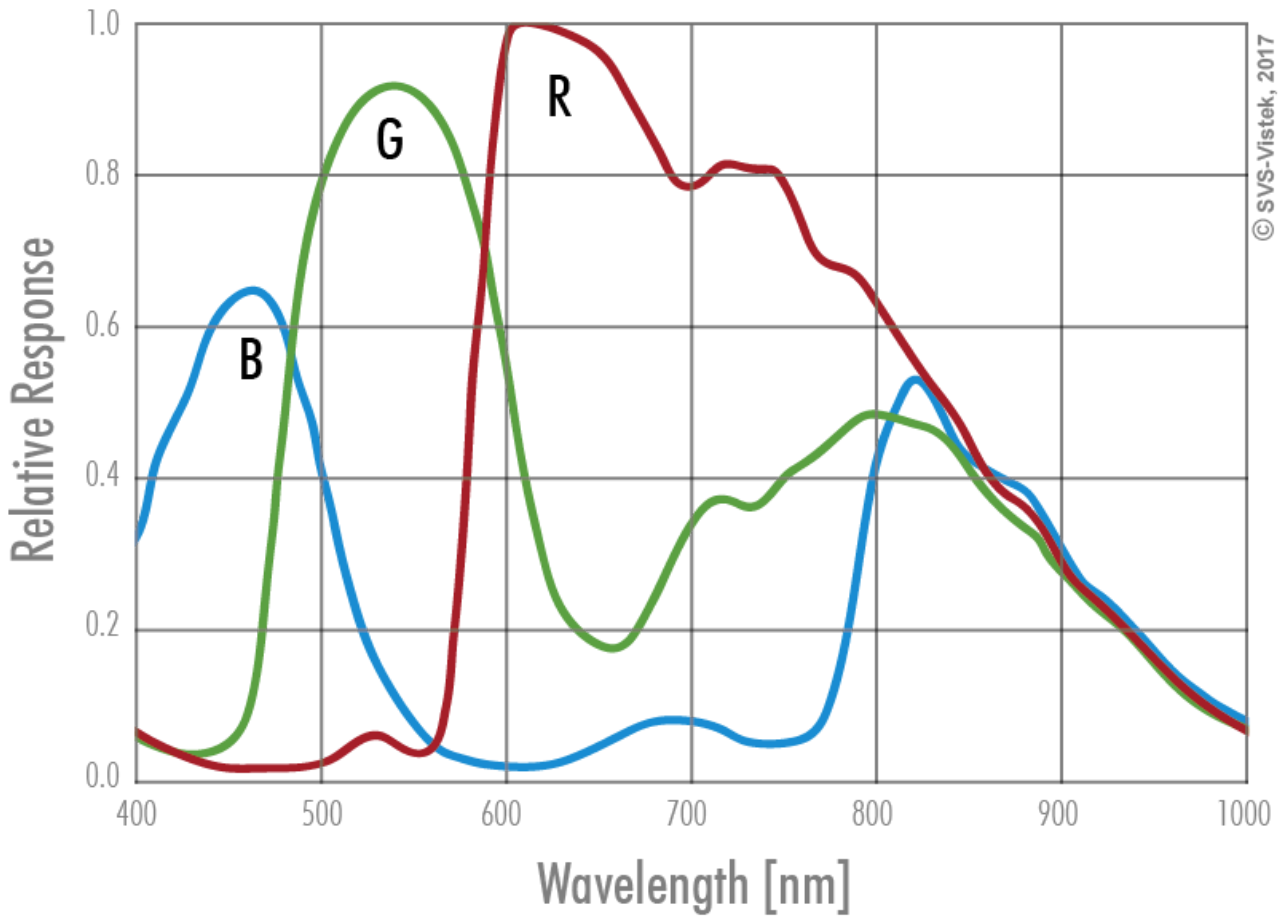
Trigger modes/sync

INTERNAL,SOFTWARE,EXTERNAL

Camera control features

PTP, BurstMode, User Sets, POE, PWM(4), Sequencer,

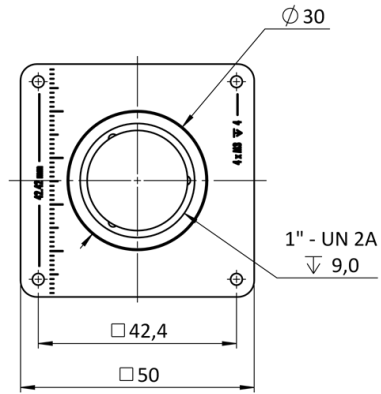
Quantum Efficiency



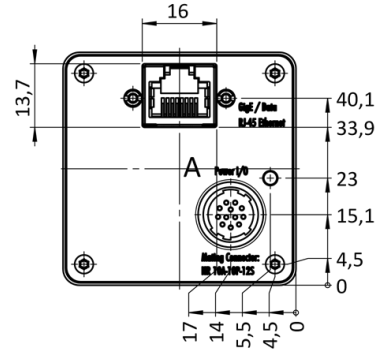
© SVS-Vistek, 2017

Technical Drawing

front



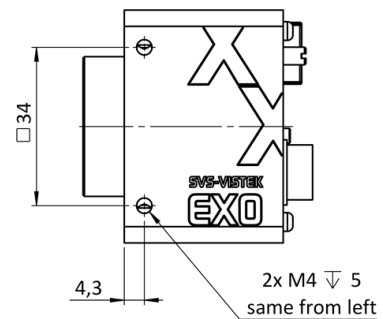
back



cross section



right side



top



bottom



3D



I/O pin assignment



1	VIN - (GND)	7	OUT 1 (open drain)
2	VIN + (10V to 25V DC)	8	OUT 2 (open drain)
3	IN 4 (RXD RS232)	9	IN 3 + (opto In +)
4	OUT 4 (TXD RS232)	10	IN 3 - (opto In -)
5	IN 1 (0-24V)	11	OUT 3 (open drain)
6	IN 2 (0-24V)	12	OUT 0 (open drain)