

EXO Camera Link

exo183CCL



General

Model:	exo183CCL
Product code:	F001901
Product series:	EXO Camera Link
Status:	Available

Sensor

Sensor type:	Area scan
Chroma:	Color
Spectrum:	Visible
Spectral range:	400 nm to 1000 nm
Resolution:	5,488 × 3,672 (20.20 MP)
Sensor model:	Sony IMX183
Sensor architecture (material):	cmos
Shutter type(s):	rolling-shutter
Sensor size:	13.17 × 8.81 mm (15.85 mm, 15.86mm (Type 1))
Pixel size:	2.40 μm × 2.40 μm

Pixel formats

Sensor bit depth:	8-Bit, 12-Bit
RGB pixel formats:	bayer8, bayer12

Imaging performance

Dynamic range:	71.5 dB
SNR:	40 dB

Timing and gain

Max. frame rate:	12 fps
Exposure time:	228 μ s to 60 s
Gain:	0.0 dB to 27.0 dB

I/Os and power

Non-isolated lines:	0 x LVDS input, 0 x LVDS output, 0 x TTL input, 0 x TTL output, 2 x 24V input, 4 x Open drain output,
Specific non-isolated lines:	1 x RS232 input, 1 x RS232 output, 0 x RS422 input, 0 x RS422 output,
Opto-isolated lines:	1 x Optical isolated input, 0 x Optical isolated input,
Power supply:	10 to 25VDC
Power consumption:	External: 4 W (typical)

Operating conditions

Operating temperature (housing):	-10 °C to 60 °C
----------------------------------	-----------------

Mechanical properties

Body dimensions (L x W x H in mm):	43 x 50 x 50
Filter/protection glass:	IR-Cut - 680nm
IP class:	IP40
Lens mount(s):	C-Mount
Weight:	140 g

On-board memory and FPGA

Image buffer (RAM):	192 MByte
Non-volatile memory (Flash):	32 MByte

Interfaces

Digital interface:	Camera Link Base
Interface connector:	(MDR)

FW features - image control

Exposure modes:	Manual, Auto
Gain modes:	Auto, Manual

FW features - image control

White balance modes: auto, manual

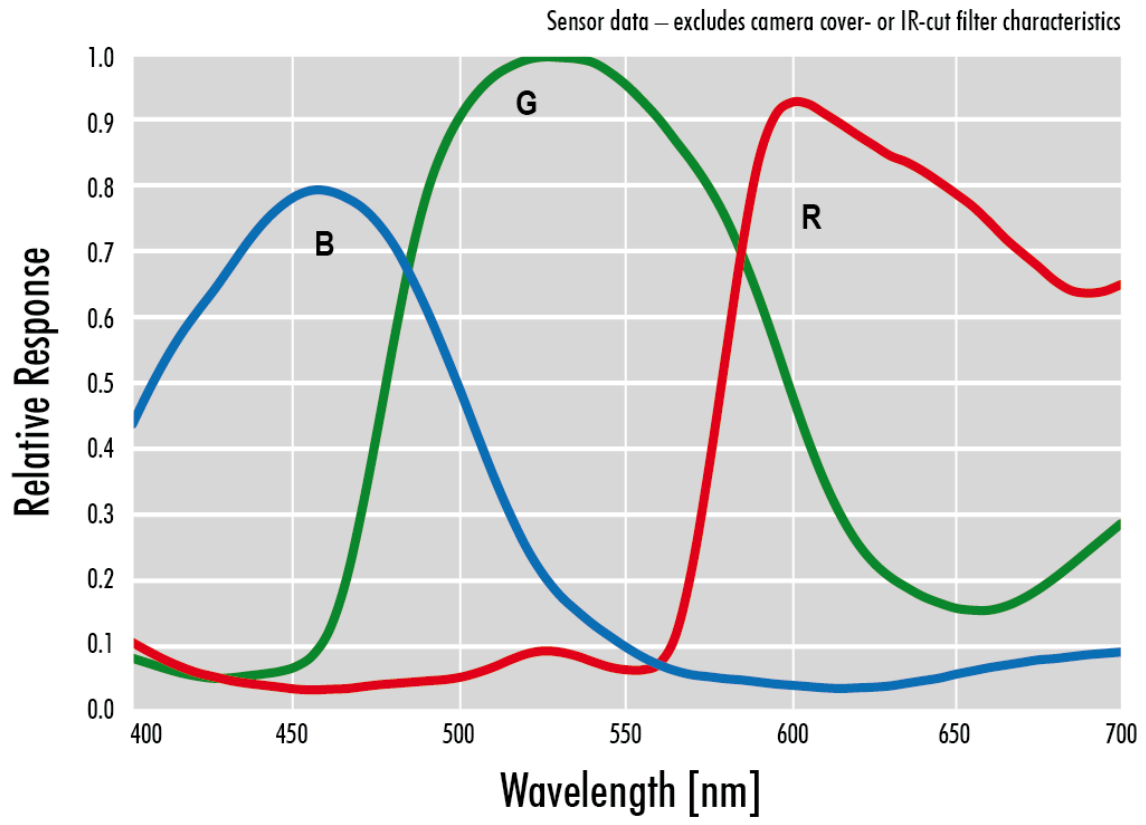
Image control features: FW Features - Image Control

FW features - camera control

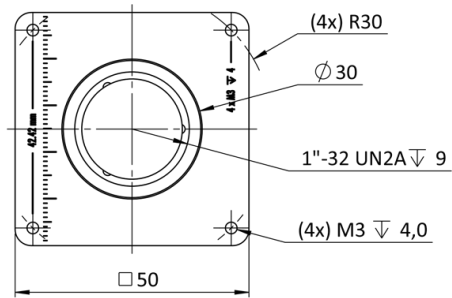
Trigger modes/sync: INTERNAL,SOFTWARE,EXTERNAL

Camera control features: User Sets, PWM(4), Sequencer,

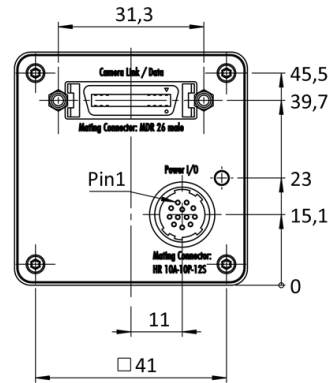
Quantum Efficiency



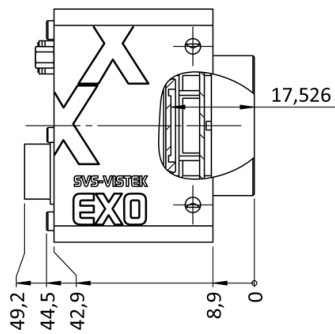
front



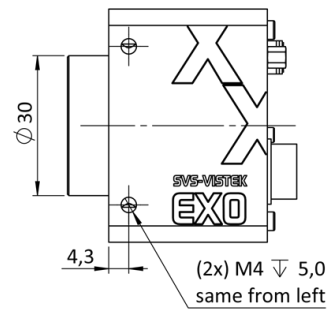
back



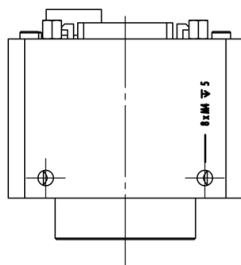
cross section



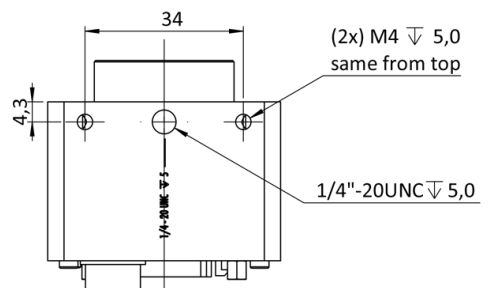
right side



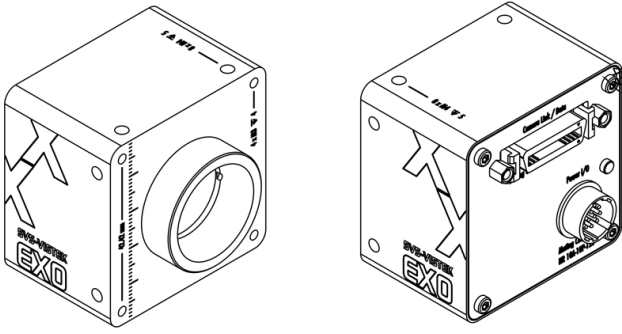
top



bottom



3D



I/O pin assignment



Hirose 12 Pin

1	VIN -	(GND)	7	OUT 1	(open drain)
2	VIN +	(10 V to 25 V DC)	8	OUT 2	(open drain)
3	IN 4	(RXD RS232)	9	IN 3 +	(opto In +)
4	OUT 4	(TXD RS232)	10	IN 3 -	(opto In -)
5	IN 1	(0-24V)	11	OUT 3	(open drain)
6	IN 2	(0-24V)	12	OUT 0	(open drain)