

General

Model:	exo387MU3TR
Product code:	F001964
Product series:	EXO Tracer
Status:	Available

Sensor

Sensor type:	Area scan
Chroma:	Mono
Spectrum:	Visible
Spectral range:	400 nm to 1000 nm
Resolution:	5,456 × 3,076 (16.80 MP)
Sensor model:	Sony IMX387
Sensor architecture (material):	cmos
Shutter type(s):	global-shutter
Sensor size:	18.82 × 10.61 mm (21.61 mm, 21.7mm (Type 4/3))
Pixel size:	3.45 μm × 3.45 μm

Pixel formats

Sensor bit depth:	8-Bit, 12-Bit, 12-Bit
Monochrome pixel formats:	mono8, mono12packed

Imaging performance

Dynamic range:	70.5 dB
SNR:	39.9 dB

Timing and gain

Max. frame rate:	22 fps
Exposure time:	41 μs to 60 s
Gain:	0.0 dB to 48.0 dB

I/Os and power

Non-isolated lines:	0 x LVDS input, 0 x LVDS output, 0 x TTL input, 0 x TTL output, 2 x 24V input, 4 x Open drain output,
Specific non-isolated lines:	1 x RS232 input, 1 x RS232 output, 0 x RS422 input, 0 x RS422 output,
Opto-isolated lines:	1 x Optical isolated input, 0 x Optical isolated input,
Power supply:	10 to 25VDC
Power consumption:	External: 8 W (typical)

Operating conditions

Operating temperature (housing):	-10 °C to 65 °C
----------------------------------	-----------------

Mechanical properties

Body dimensions (L x W x H in mm):	54 × 58 × 58
Filter/protection glass:	K9 - AR coating
IP class:	IP40
Lens mount(s):	MFT
Weight:	320 g

On-board memory and FPGA

Image buffer (RAM):	192 MByte
Non-volatile memory (Flash):	32 MByte

Interfaces

Digital interface:	usb3.0
Interface connector:	(Micro-B)

FW features - image control

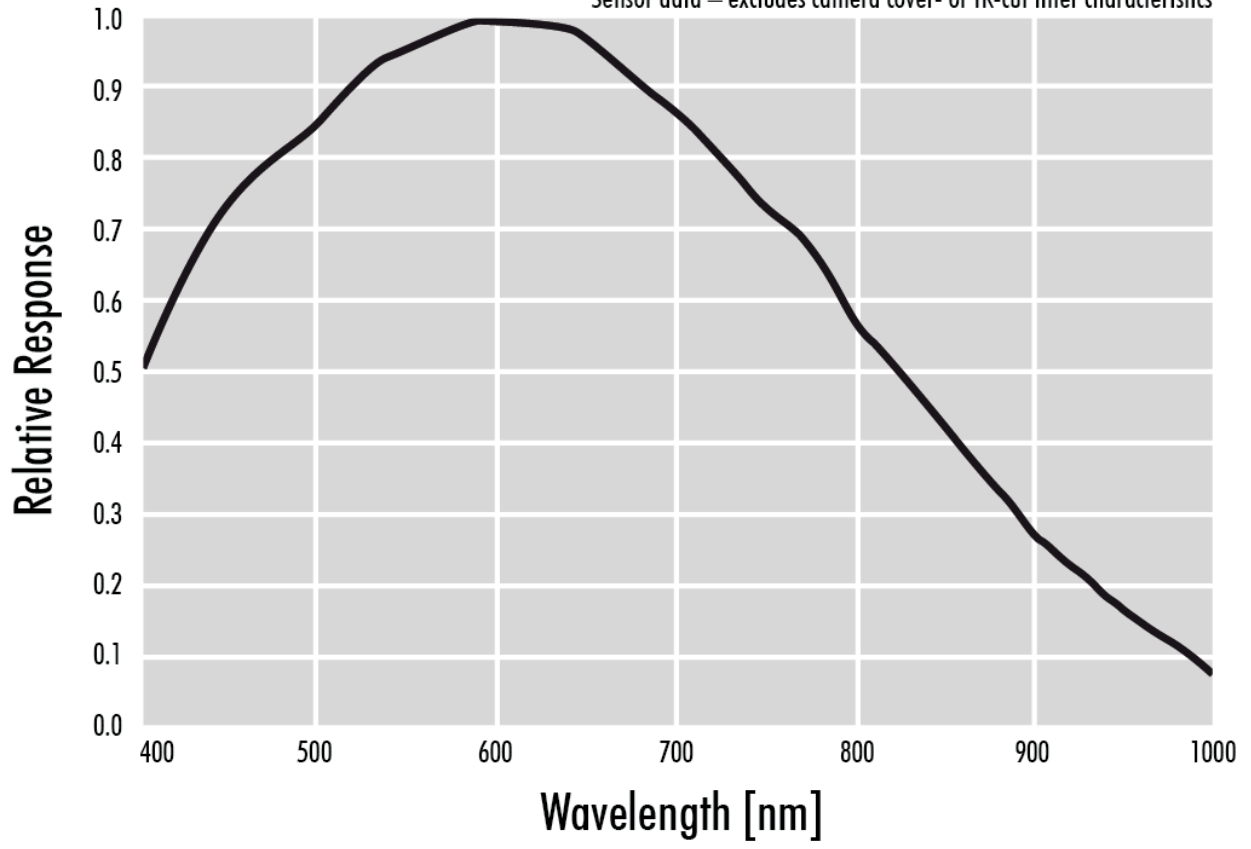
Exposure modes:	Manual, Auto, External
Gain modes:	Auto, Manual
Image control features:	FW Features - Image Control

FW features - camera control

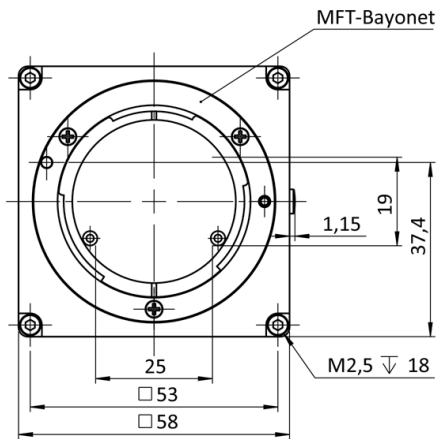
Trigger modes/sync:	INTERNAL,SOFTWARE,EXTERNAL
Camera control features:	User Sets, PWM(4), Sequencer,

Monochrome

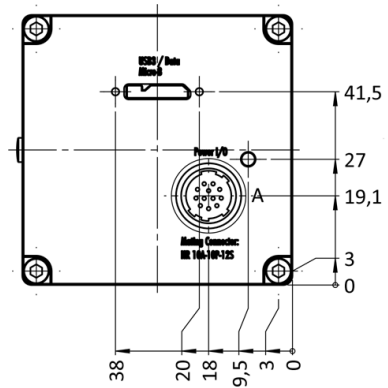
Sensor data – excludes camera cover- or IR-cut filter characteristics



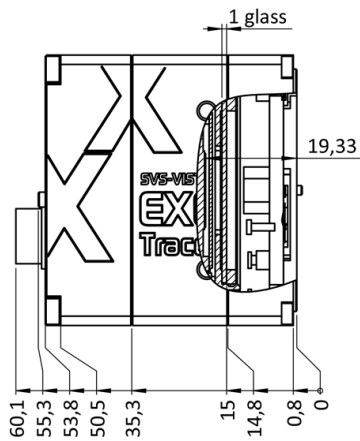
front



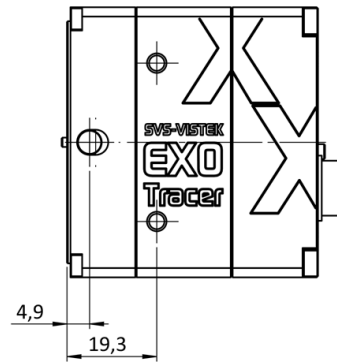
back



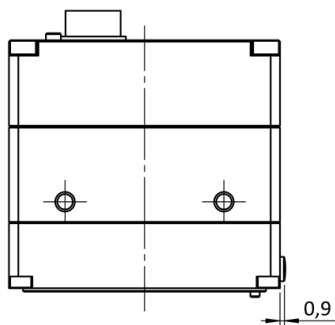
cross section



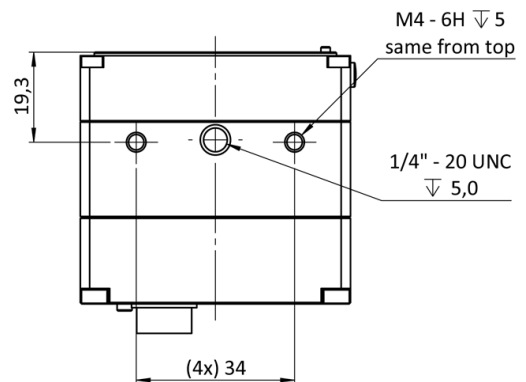
right side

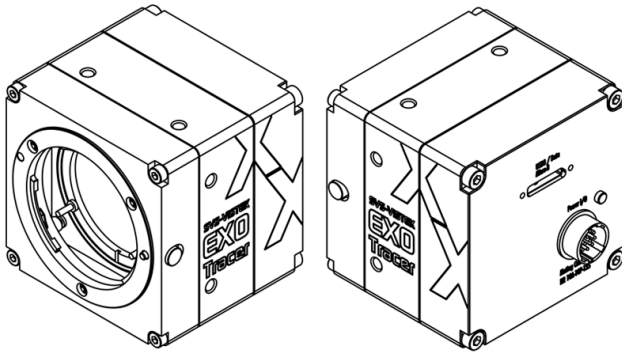


top



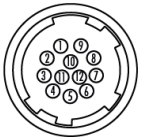
bottom





I/O pin assignment

Hirose 12 Pin



1	VIN - (GND)	7	OUT 1 (open drain)
2	VIN + (10 V to 25 V DC)	8	OUT 2 (open drain)
3	IN 4 (RXD RS232)	9	IN 3 + (opto In +)
4	OUT 4 (TXD RS232)	10	IN 3 - (opto In -)
5	IN 1 (0-24V)	11	OUT 3 (open drain)
6	IN 2 (0-24V)	12	OUT 0 (open drain)