

EXO Tracer

exo387CU3TR

General

Model	exo387CU3TR
Product code	F001965
Product series	EXO Tracer
Status	Available

Sensor

Sensor type	Area scan
Chroma	Color
Spectrum	Visible
Spectral range	400 nm to 1000 nm
Resolution	5,456 × 3,076 (16.80 MP)
Sensor model	Sony IMX387
Sensor architecture (material)	cmos
Shutter type(s)	global-shutter
Sensor size	18.82 × 10.61 mm (21.61 mm, 21.7mm (Type 4/3))
Pixel size	3.45 μm × 3.45 μm

Pixel formats

Sensor bit depth	8-Bit,12-Bit,12-Bit
RGB pixel formats	bayer8, bayer12packed

Imaging performance

Dynamic range	70.5 dB
SNR	39.9 dB

Timing and gain

Max. frame rate	22 fps
Exposure time	41 μs to 60 s
Gain	0.0 dB to 48.0 dB

I/Os and power

Non-isolated lines	0 x LVDS input, 0 x LVDS output, 0 x TTL input, 0 x TTL output, 2 x 24V input, 4 x Open drain output,
Specific non-isolated lines	1 x RS232 input, 1 x RS232 output, 0 x RS422 input, 0 x RS422 output,
Opto-isolated lines	1 x Optical isolated input, 0 x Optical isolated input,
Power supply	10 to 25VDC
Power consumption	External: 8 W (typical)

Operating conditions

Operating temperature (housing)	-10 °C to 65 °C
---------------------------------	-----------------

Mechanical properties

Body dimensions (L x W x H in mm)	54 × 58 × 58
Filter/protection glass	K9 - AR coating
IP class	IP40
Lens mount(s)	MFT
Weight	320 g

On-board memory and FPGA

Image buffer (RAM)	192 MByte
Non-volatile memory (Flash)	32 MByte

Interfaces

Digital interface	usb3.0
Interface connector	(Micro-B)

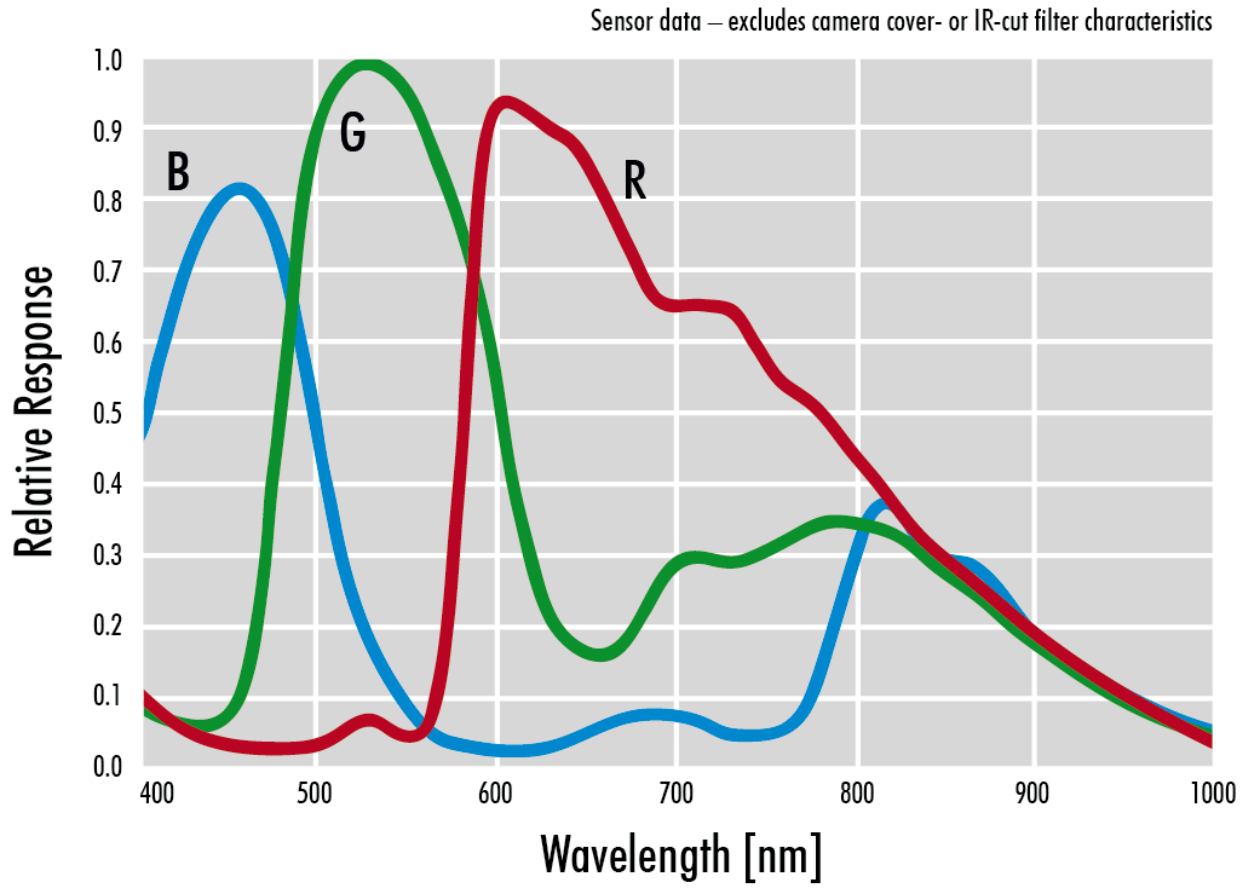
FW features - image control

Exposure modes	Manual, Auto, External
Gain modes	Auto, Manual
White balance modes	auto, manual
Image control features	FW Features - Image Control

FW features - camera control

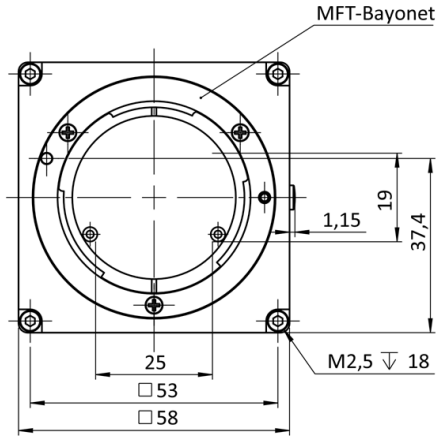
Trigger modes/sync	INTERNAL, SOFTWARE, EXTERNAL
Camera control features	User Sets, PWM(4), Sequencer,

Quantum Efficiency

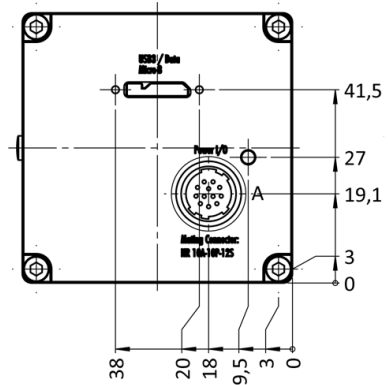


Technical Drawing

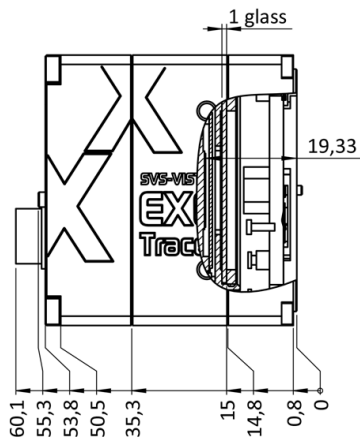
front



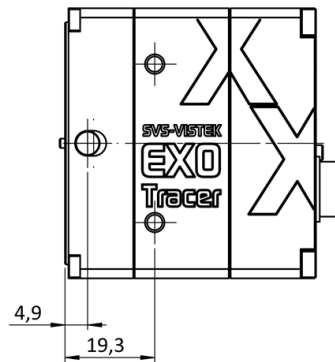
back



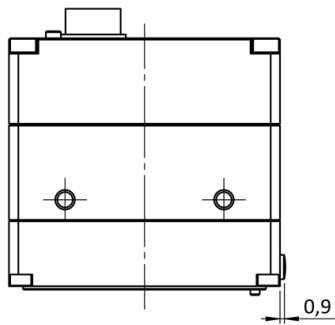
cross section



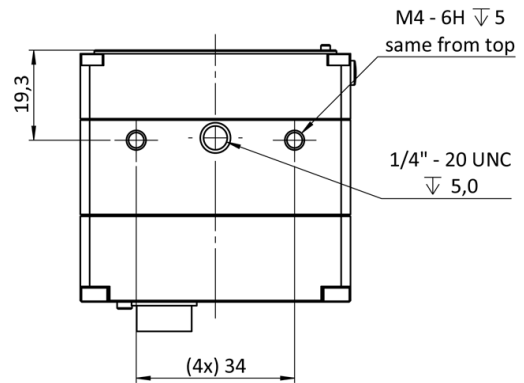
right side



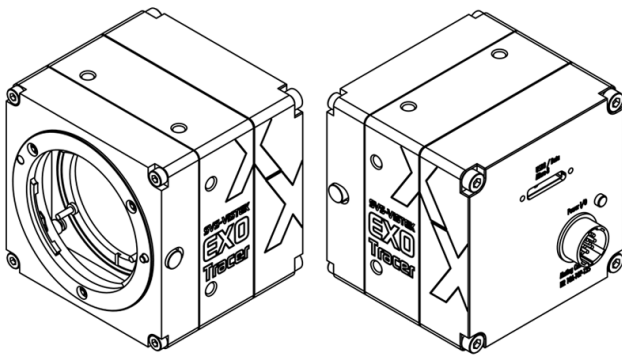
top



bottom



3D



I/O pin assignment



1	VIN - (GND)	7	OUT 1 (open drain)
2	VIN + (10V to 25V DC)	8	OUT 2 (open drain)
3	IN 4 (RXD RS232)	9	IN 3 + (opto In +)
4	OUT 4 (TXD RS232)	10	IN 3 - (opto In -)
5	IN 1 (0-24V)	11	OUT 3 (open drain)
6	IN 2 (0-24V)	12	OUT 0 (open drain)