

# EXO Tracer

exo387CU3TR

## General

Model	exo387CU3TR
Product code	F001965
Product series	EXO Tracer
Status	Available

## Sensor

Sensor type	Area scan
Chroma	Color
Spectrum	Visible
Spectral range	400 nm to 1000 nm
Resolution	5,456 × 3,076 (16.80 MP)
Sensor model	Sony IMX387
Sensor architecture (material)	cmos
Shutter type(s)	global-shutter
Sensor size	18.82 × 10.61 mm (21.61 mm, 21.7mm (Type 4/3))
Pixel size	3.45 μm × 3.45 μm

## Pixel formats

Sensor bit depth	8-Bit,12-Bit,12-Bit
RGB pixel formats	bayer8, bayer12packed

## Imaging performance

Dynamic range	70.5 dB
SNR	39.9 dB

## Timing and gain

Max. frame rate	22 fps
Exposure time	41 μs to 60 s
Gain	0.0 dB to 48.0 dB

## I/Os and power

Non-isolated lines	0 x LVDS input, 0 x LVDS output, 0 x TTL input, 0 x TTL output, 2 x 24V input, 4 x Open drain output,
Specific non-isolated lines	1 x RS232 input, 1 x RS232 output, 0 x RS422 input, 0 x RS422 output,
Opto-isolated lines	1 x Optical isolated input, 0 x Optical isolated input,
Power supply	10 to 25VDC
Power consumption	External: 8 W (typical)

## Operating conditions

Operating temperature (housing)	-10 °C to 65 °C
---------------------------------	-----------------

## Mechanical properties

Body dimensions (L x W x H in mm)	54 × 58 × 58
Filter/protection glass	K9 - AR coating
IP class	IP40
Lens mount(s)	MFT
Weight	320 g

## On-board memory and FPGA

Image buffer (RAM)	192 MByte
Non-volatile memory (Flash)	32 MByte

## Interfaces

Digital interface	usb3.0
Interface connector	(Micro-B)

## FW features - image control

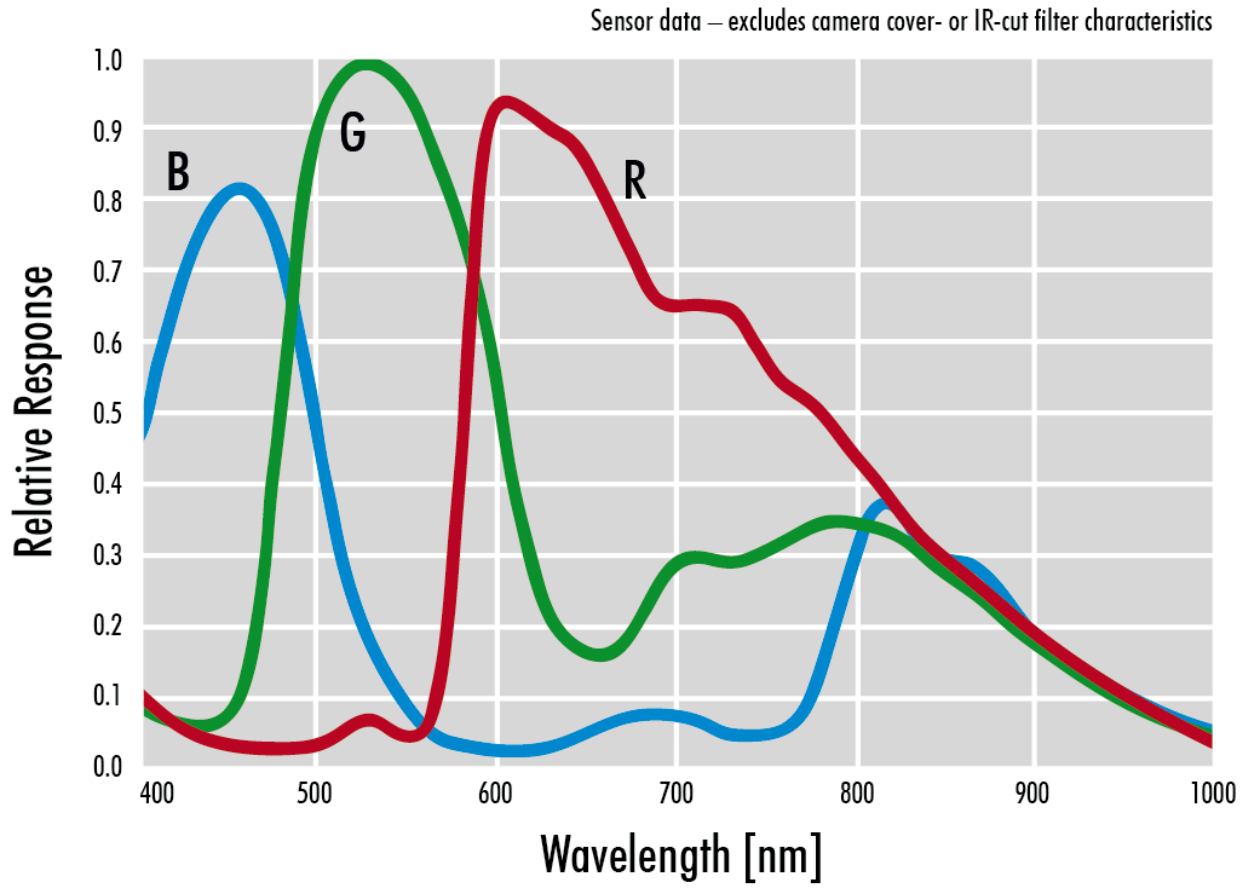
Exposure modes	Manual, Auto, External
Gain modes	Auto, Manual
White balance modes	auto, manual
Image control features	FW Features - Image Control

## FW features - camera control

Trigger modes/sync	INTERNAL, SOFTWARE, EXTERNAL
Camera control features	User Sets, PWM(4), Sequencer,

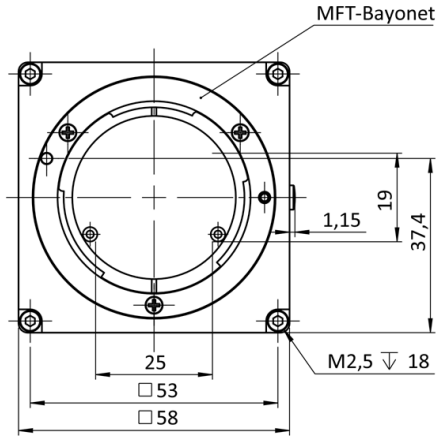


Quantum Efficiency

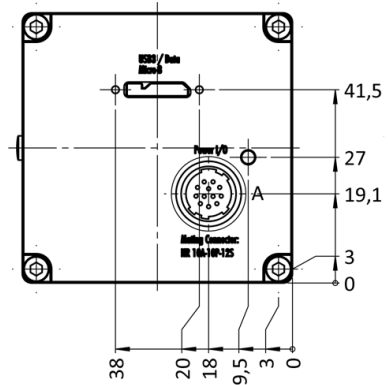


Technical Drawing

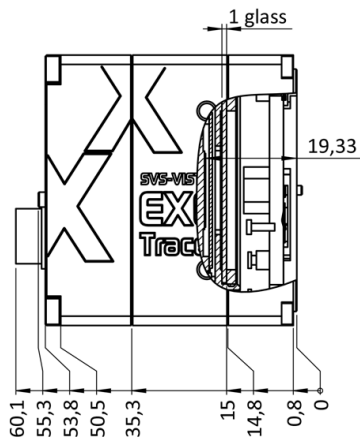
front



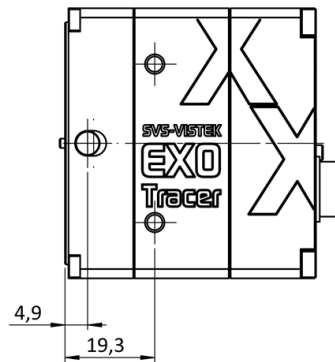
back



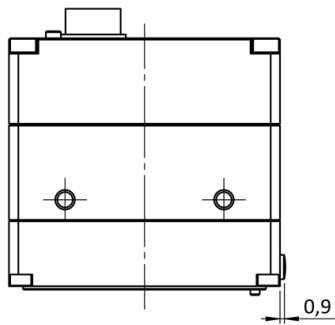
cross section



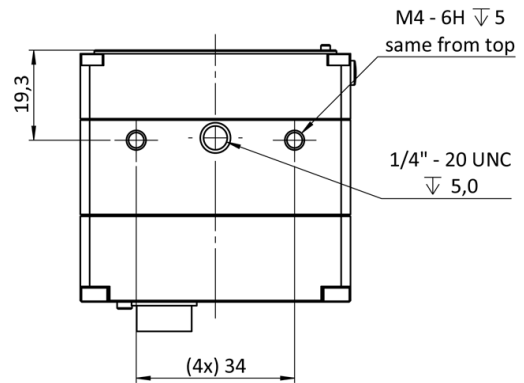
right side



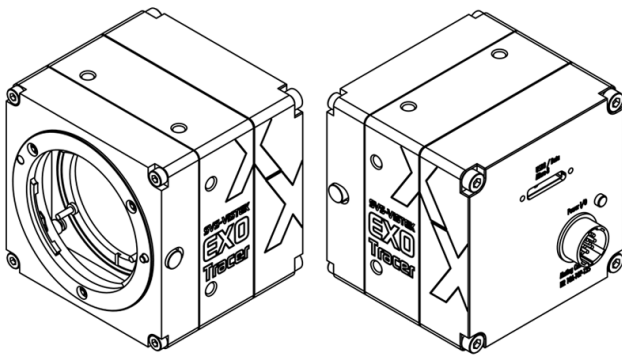
top



bottom



3D



## I/O pin assignment



1	VIN - (GND)	7	OUT 1 (open drain)
2	VIN + (10V to 25V DC)	8	OUT 2 (open drain)
3	IN 4 (RXD RS232)	9	IN 3 + (opto In +)
4	OUT 4 (TXD RS232)	10	IN 3 - (opto In -)
5	IN 1 (0-24V)	11	OUT 3 (open drain)
6	IN 2 (0-24V)	12	OUT 0 (open drain)