

EoSens CoaXPress-12

EoSens10CCX12-M42

General

Model	EoSens10CCX12-M42
Product code	F006232
Product series	EoSens CoaXPress-12
Status	Available

Sensor

Sensor type	Area scan
Chroma	Color
Spectrum	Visible
Spectral range	350 nm to 1000 nm
Resolution	4,608 × 2,176 (10.00 MP)
Sensor model	Gpixel GSPRINT4510
Sensor architecture (material)	cmos
Shutter type(s)	global-shutter
Sensor size	20.74 × 9.79 mm (22.93 mm, 4/3)
Pixel size	4.50 μm × 4.50 μm

Pixel formats

Sensor bit depth	8-Bit,12-Bit
RGB pixel formats	bayer8, bayer12

Imaging performance

Dynamic range	68.8 dB
---------------	---------

Timing and gain

Max. frame rate	482 fps
-----------------	---------

Timing and gain

Max. frame rate ROI modes	4608 x 2176 478 fps,
Exposure time	1 μ s to 1 s
Gain	0.0 dB to 12.0 dB

I/Os and power

Non-isolated lines	0 x LVDS input, 0 x LVDS output, 0 x TTL input, 0 x TTL output, 2 x 24V input, 0 x Open drain output,
Specific non-isolated lines	0 x RS232 input, 0 x RS232 output, 0 x RS422 input, 0 x RS422 output,
Opto-isolated lines	0 x Optical isolated input, 0 x Optical isolated input,
I/O connector	2
Power supply	12 to 24VDC, Power over CoaXPress
Power consumption	External: 20 W (typical)

Mechanical properties

Body dimensions (L x W x H in mm)	55 x 80 x 80
Filter/protection glass	UV/IR Filter
IP class	IP30
Lens mount(s)	M42x0.75
Weight	630 g

Interfaces

Digital interface	cxp-12 with 4 connections
Interface connector	(micro-BNC)

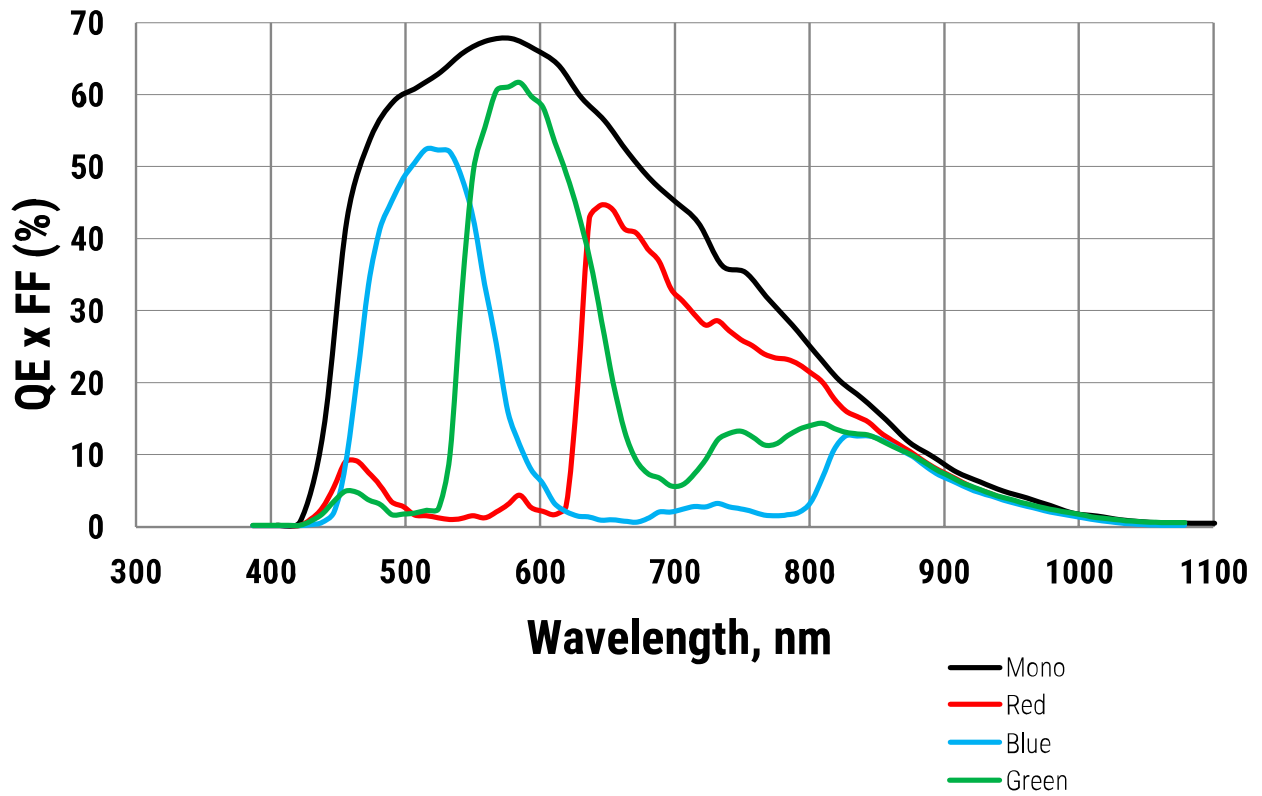
FW features - image control

Exposure modes	external
Gain modes	Digital, Analog
White balance modes	true
Image control features	FW Features - Image Control

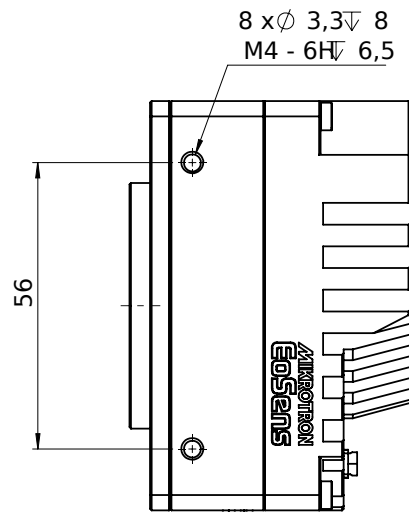
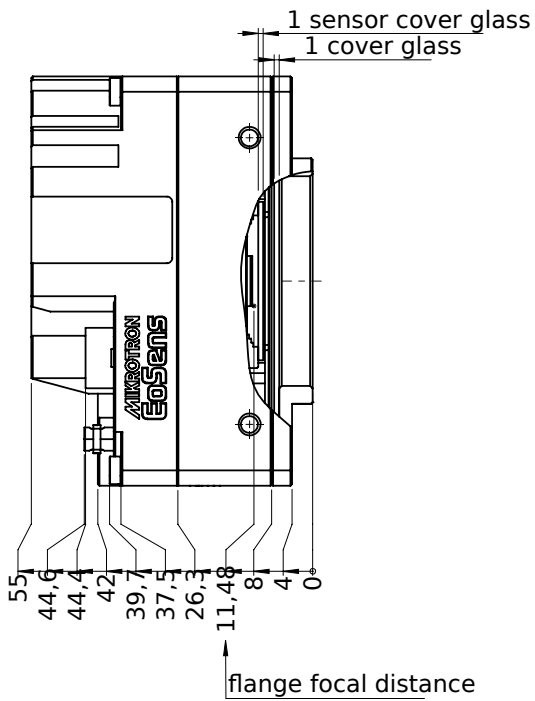
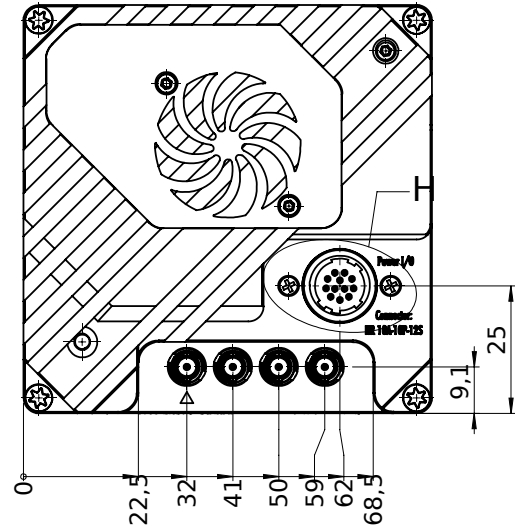
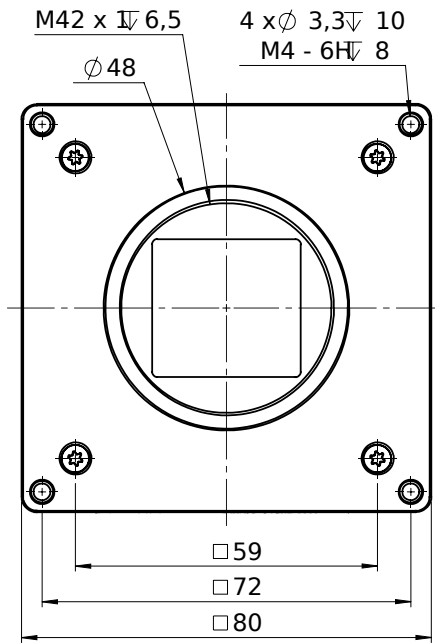
FW features - camera control

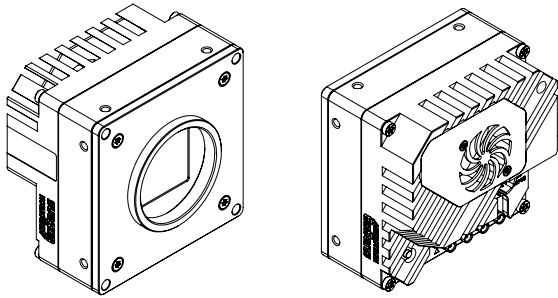
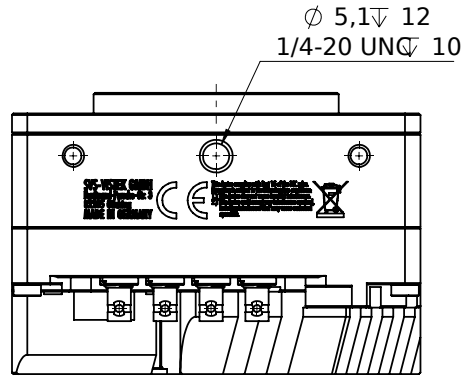
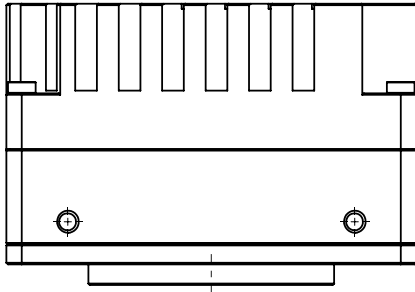
Trigger modes/sync	External TTL Signal, CXP-Trigger
--------------------	----------------------------------

Quantum Efficiency

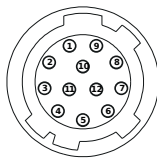


Technical Drawing





I/O pin assignment

	Pin	Signal	Pin	Signal
	1 + 12	GND	6	IN0
	2 + 11	VCC (12-24V)	7	IO _{GND}
	3	IO _{GND}	8	OUT1
	4	OUT0	9	IO _{GND}
	5	IO _{GND}	10	IN1