

EoSens Camera Link

EoSens3.0MCL-FM

General

Model	EoSens3.0MCL-FM
Product code	F006016
Product series	EoSens Camera Link
Status	Discontinued

Sensor

Sensor type	Area scan
Chroma	Mono
Spectrum	Visible
Spectral range	400 nm to 1000 nm
Resolution	1,690 × 1,710 (3.00 MP)
Sensor model	ON Semi LUPA3000
Sensor architecture (material)	cmos
Shutter type(s)	global-shutter
Sensor size	13.52 × 13.68 mm (19.23 mm, 1)
Pixel size	8.00 μm × 8.00 μm

Pixel formats

Sensor bit depth	8-Bit
Monochrome pixel formats	mono8

Timing and gain

Max. frame rate	285 fps
Max. frame rate ROI modes	1690 x 1710 285 fps, 1280 x 1024 604 fps, 1020 x 768 951 fps, 640 x 480 2327 fps, 1280 x 64 9385 fps, 120 x 60 38502 fps, x 181000 fps,
Exposure time	1 μs to 1 s

Timing and gain

Gain	0.0 dB to 12.0 dB
------	-------------------

I/Os and power

Non-isolated lines	0 x LVDS input, 0 x LVDS output, 0 x TTL input, 0 x TTL output, 0 x 24V input, 0 x Open drain output,
Specific non-isolated lines	0 x RS232 input, 0 x RS232 output, 0 x RS422 input, 0 x RS422 output,
Opto-isolated lines	1 x Optical isolated input, 0 x Optical isolated input,
Power supply	8 to 24VDC
Power consumption	External: 7 W (typical)

Mechanical properties

Body dimensions (L x W x H in mm)	84 × 63 × 63
IP class	IP30
Lens mount(s)	F-Mount
Weight	350 g

Interfaces

Digital interface	camera link full
Interface connector	(MDR)

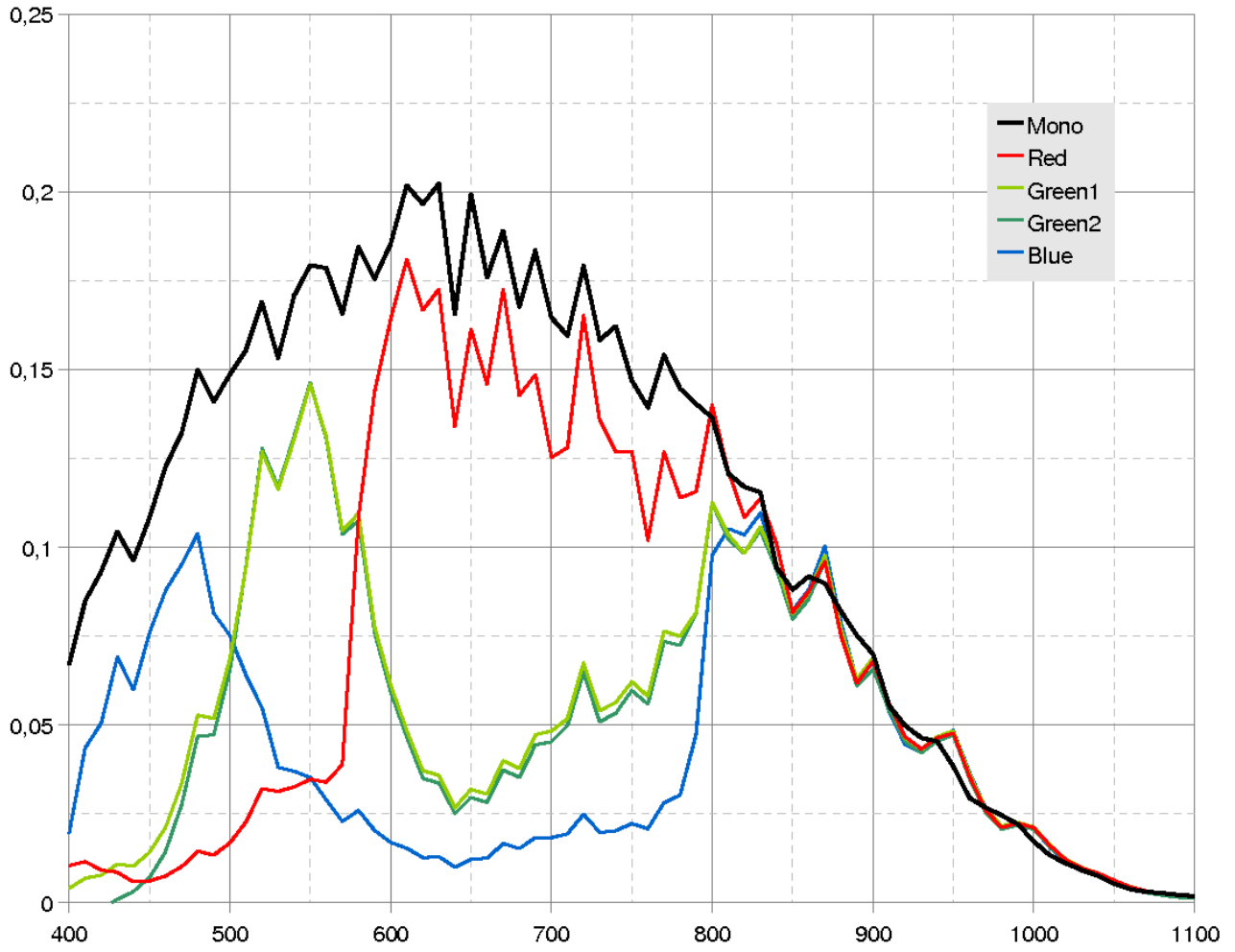
FW features - image control

Exposure modes	external
Gain modes	Digital
White balance modes	true
Image control features	FW Features - Image Control

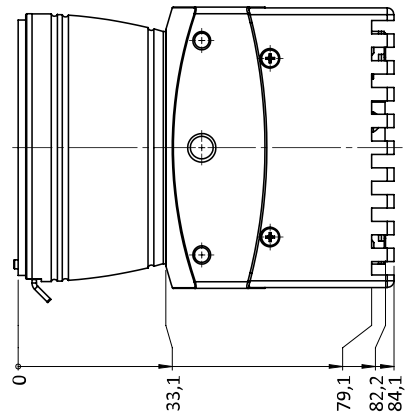
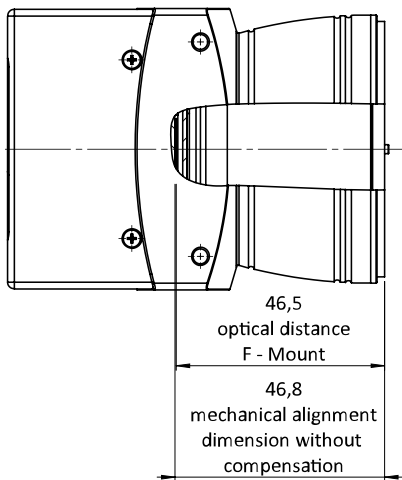
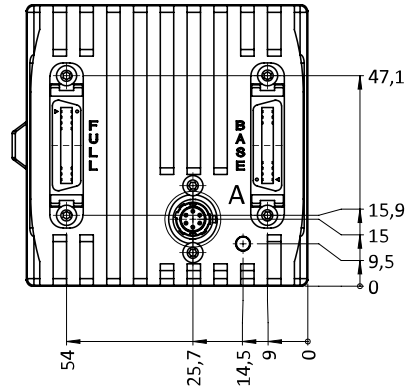
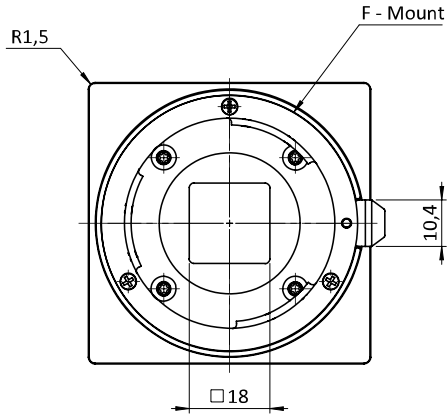
FW features - camera control

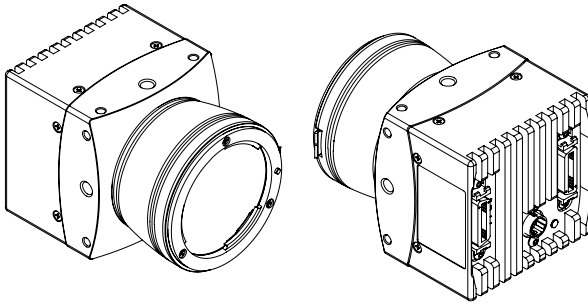
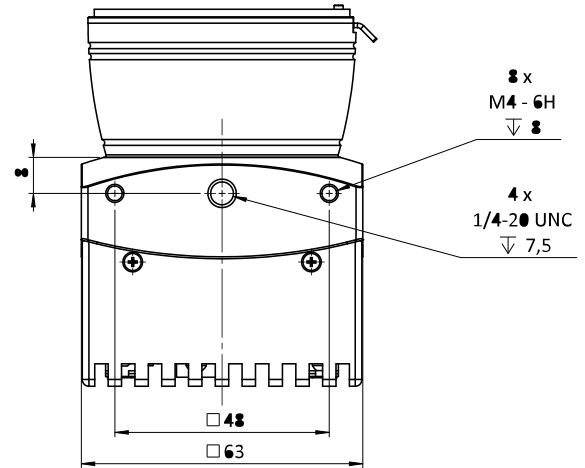
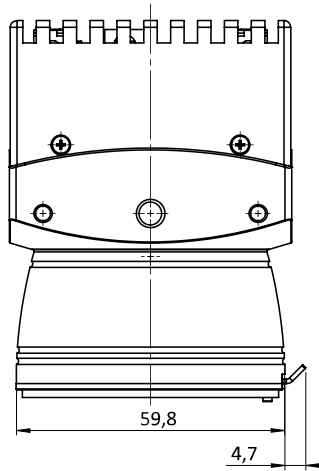
Trigger modes/sync	External TTL Signal, CC-Trigger
--------------------	---------------------------------

Quantum Efficiency

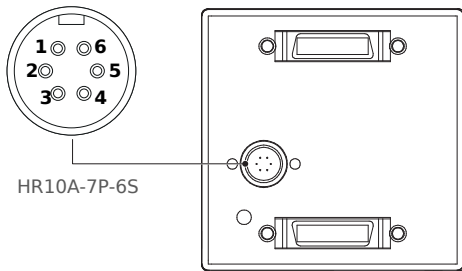


Technical Drawing





I/O pin assignment



Pin	Signal	Pin	Signal
1	V _{CC}	2	V _{CC}
3	STRB _{OUT}	4	GND _{STRB}
5	GND	6	GND