



EoSens Camera Link

EoSens1.3MCL-CM

General

Model	EoSens1.3MCL-CM
Product code	F006005
Product series	EoSens Camera Link
Status	Discontinued

Sensor

Sensor type	Area scan
Chroma	Mono
Spectrum	Visible
Spectral range	400 nm to 1000 nm
Resolution	1,280 × 1,024 (1.30 MP)
Sensor model	ON Semi LUPA1300-2
Sensor architecture (material)	cmos
Shutter type(s)	global-shutter
Sensor size	17.92 × 14.34 mm (22.95 mm, 4/3)
Pixel size	14.00 μm × 14.00 μm

Pixel formats

Sensor bit depth	8-Bit,10-Bit
Monochrome pixel formats	mono8, mono10

Timing and gain

Max. frame rate	506 fps
Max. frame rate ROI modes	1280 x 1024 506 fps, 640 x 480 1869 fps, 400 x 300 4068 fps, 1280 x 64 7638 fps, 60 x 60 33390 fps, x 120423 fps,
Exposure time	2 μs to 1 s
Gain	0.0 dB to 12.0 dB

I/Os and power

Non-isolated lines	0 x LVDS input, 0 x LVDS output, 0 x TTL input, 0 x TTL output, 0 x 24V input, 0 x Open drain output,
Specific non-isolated lines	0 x RS232 input, 0 x RS232 output, 0 x RS422 input, 0 x RS422 output,
Opto-isolated lines	1 x Optical isolated input, 0 x Optical isolated input,
Power supply	8 to 24VDC
Power consumption	External: 5 W (typical)

Mechanical properties

Body dimensions (L x W x H in mm)	47 × 63 × 63
IP class	IP30
Lens mount(s)	C-Mount
Weight	300 g

Interfaces

Digital interface	camera link full
Interface connector	(MDR)

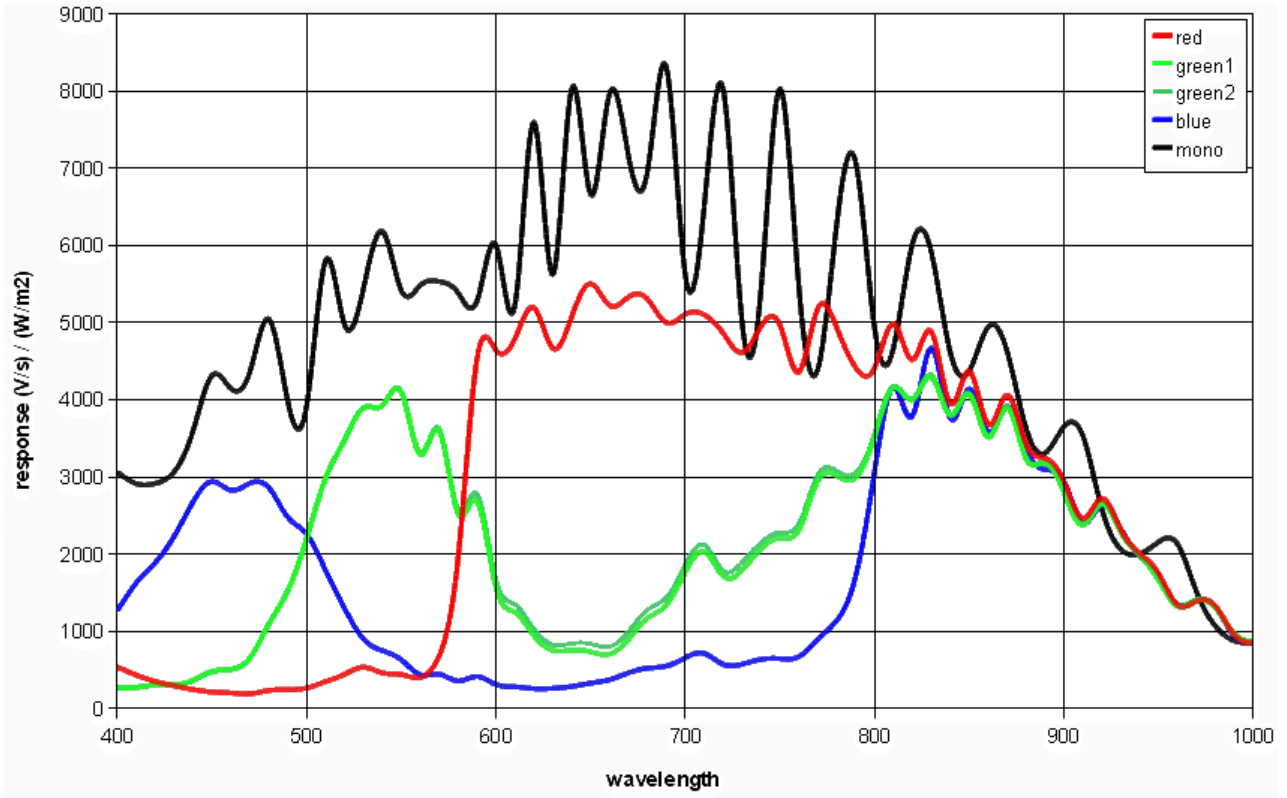
FW features - image control

Exposure modes	external
Gain modes	Digital
White balance modes	true
Image control features	FW Features - Image Control

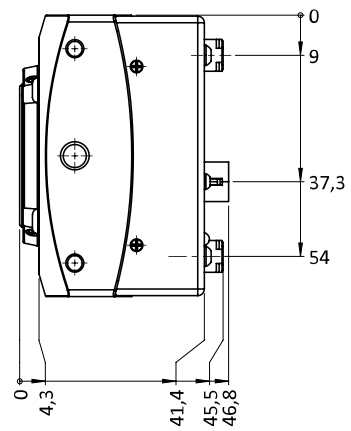
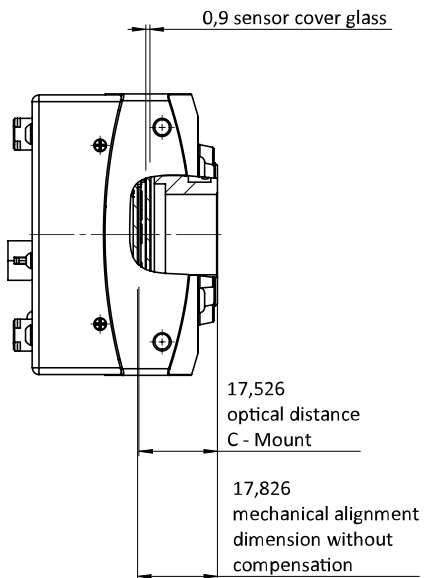
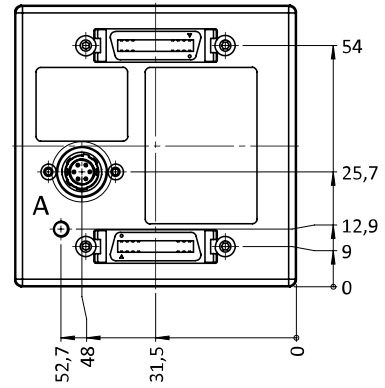
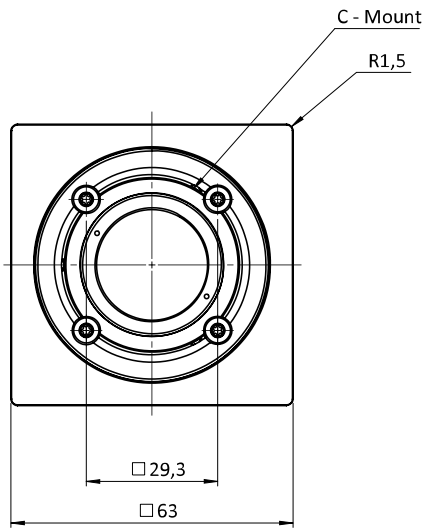
FW features - camera control

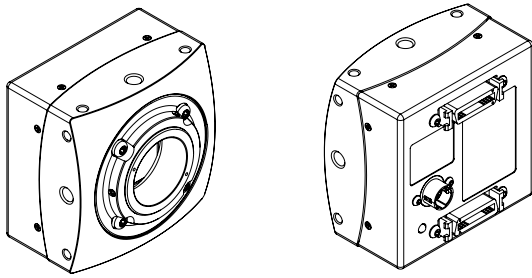
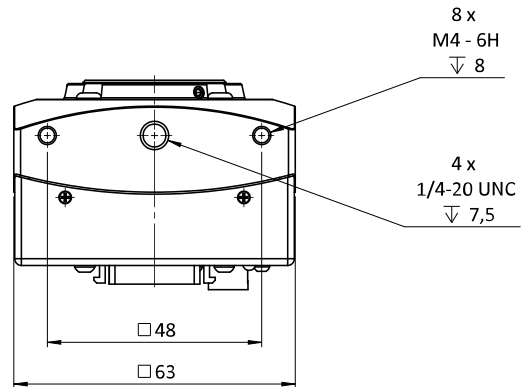
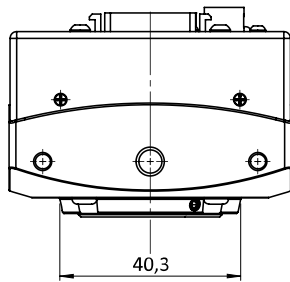
Trigger modes/sync	External TTL Signal, CC-Trigger
--------------------	---------------------------------

Quantum Efficiency

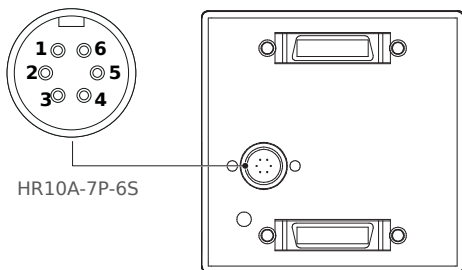


Technical Drawing





I/O pin assignment



Pin	Signal	Pin	Signal
1	V _{CC}	2	V _{CC}
3	STRB _{OUT}	4	GND _{STRB}
5	GND	6	GND