

# EoSens CoaXPress-12

EoSens1.1CCX12-CM

## General

Model	EoSens1.1CCX12-CM
Product code	F006003
Product series	EoSens CoaXPress-12
Status	Available

## Sensor

Sensor type	Area scan
Chroma	Color
Spectrum	Visible
Spectral range	400 nm to 1000 nm
Resolution	1,280 × 864 (1.10 MP)
Sensor model	Luxima LUX13HS
Sensor architecture (material)	cmos
Shutter type(s)	global-shutter
Sensor size	17.54 × 11.84 mm (21.16 mm, 4/3)
Pixel size	13.70 μm × 13.70 μm

## Pixel formats

Sensor bit depth	8-Bit,10-Bit
RGB pixel formats	bayer8, bayer10

## Timing and gain

Max. frame rate	3674 fps
Max. frame rate ROI modes	1280 x 864   3674 fps, 1280 x 768   4151 fps, 640 x 480   6576 fps, 128 x 128   23821 fps, x   224673 fps,
Exposure time	2 μs to 1 s
Gain	0.0 dB to 18.0 dB

## I/Os and power

Non-isolated lines	0 x LVDS input, 0 x LVDS output, 0 x TTL input, 0 x TTL output, 2 x 24V input, 0 x Open drain output,
Specific non-isolated lines	0 x RS232 input, 0 x RS232 output, 0 x RS422 input, 0 x RS422 output,
Opto-isolated lines	0 x Optical isolated input, 0 x Optical isolated input,
I/O connector	2
Power supply	12 to 24VDC, Power over CoaXPress
Power consumption	External: 14 W (typical)

## Mechanical properties

Body dimensions (L x W x H in mm)	54 × 80 × 80
Filter/protection glass	UV/IR Filter
IP class	IP30
Lens mount(s)	C-Mount
Weight	500 g

## Interfaces

Digital interface	cxp-12 with 4 connections
Interface connector	(micro-BNC)

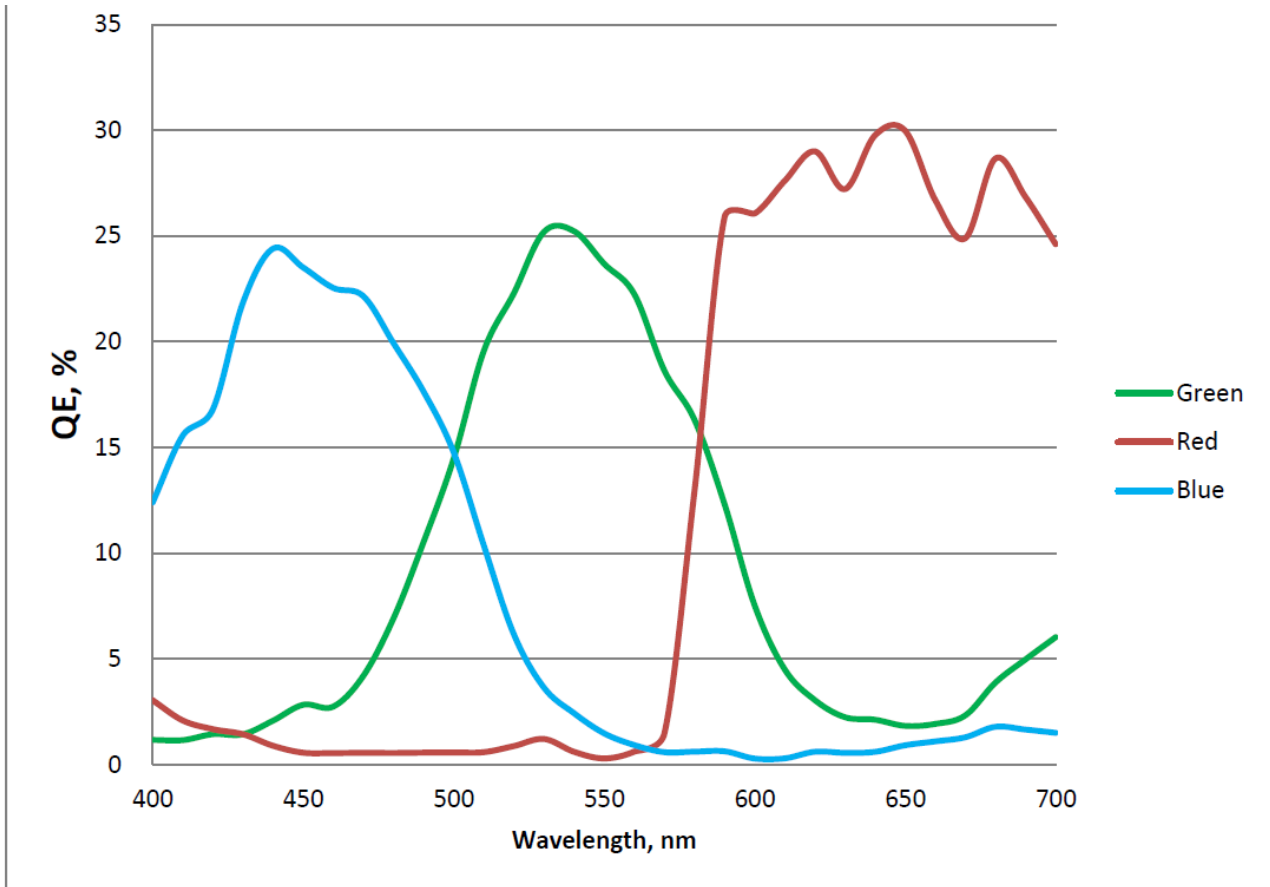
## FW features - image control

Exposure modes	external
Gain modes	Digital, Analog
White balance modes	true
Image control features	FW Features - Image Control

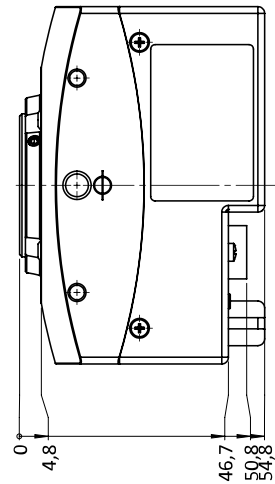
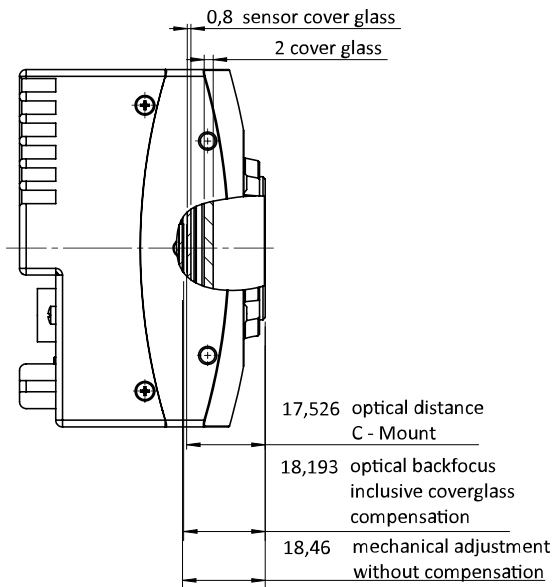
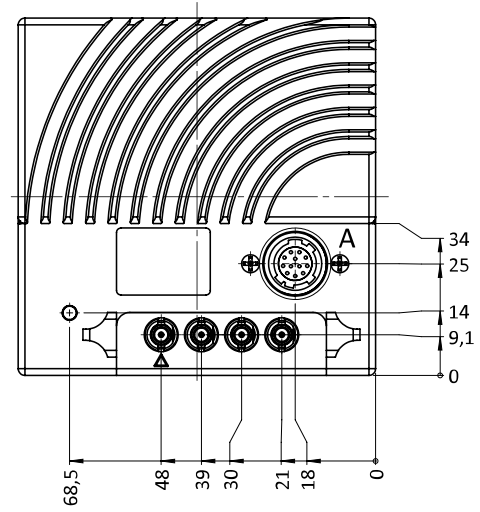
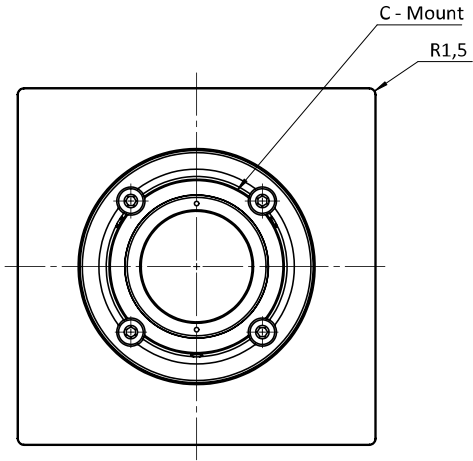
## FW features - camera control

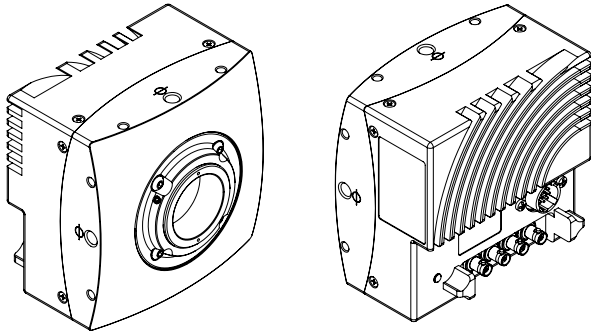
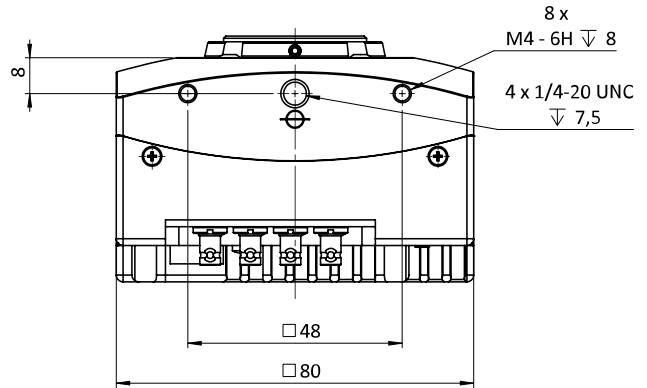
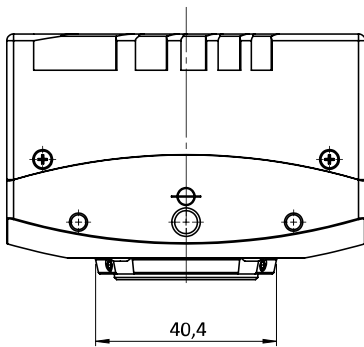
Trigger modes/sync	External TTL Signal, CXP-Trigger
--------------------	----------------------------------

## Quantum Efficiency

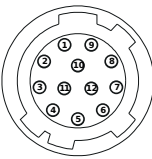


Technical Drawing





## I/O pin assignment

	Pin	Signal	Pin	Signal
	1 + 12	GND	6	IN0
	2 + 11	VCC (12-24V)	7	IO <sub>GND</sub>
	3	IO <sub>GND</sub>	8	OUT1
	4	OUT0	9	IO <sub>GND</sub>
	5	IO <sub>GND</sub>	10	IN1