



# EoSens CoaXPress- 12

EoSens2.0MCX12-CM

## General

Model:	EoSens2.0MCX12-CM
Product code:	F006007
Product series:	EoSens CoaXPress-12
Status:	Available

## Sensor

Sensor type:	Area scan
Chroma:	Mono
Spectrum:	Visible
Spectral range:	400 nm to 1000 nm
Resolution:	1,920 × 1,080 (2.00 MP)
Sensor model:	Luxima Lux19HS
Sensor architecture (material):	cmos
Shutter type(s):	global-shutter
Sensor size:	19.2 × 10.8 mm (22.03 mm, 4/3)
Pixel size:	10.00 μm × 10.00 μm

## Pixel formats

Sensor bit depth:	8-Bit,10-Bit
Monochrome pixel formats:	mono8, mono10

## Timing and gain

Max. frame rate:	2247 fps
Max. frame rate ROI modes:	1920 x 1080   2247 fps, 1024 x 768   3152 fps, 640 x 480   5020 fps, 128 x 128   18177 fps, 1920 x 8   170578 fps, x   170575 fps,
Exposure time:	2 $\mu$ s to 1 s
Gain:	0.0 dB to 18.0 dB

## I/Os and power

Non-isolated lines:	0 x LVDS input, 0 x LVDS output, 0 x TTL input, 0 x TTL output, 2 x 24V input, 0 x Open drain output,
Specific non-isolated lines:	0 x RS232 input, 0 x RS232 output, 0 x RS422 input, 0 x RS422 output,
Opto-isolated lines:	0 x Optical isolated input, 0 x Optical isolated input,
I/O connector:	2
Power supply:	12 to 24VDC, Power over CoaXPress
Power consumption:	External: 13 W (typical)

## Operating conditions

Operating temperature (housing):	-10 °C to 65 °C
----------------------------------	-----------------

## Mechanical properties

Body dimensions (L x W x H in mm):	55 x 80 x 80
IP class:	IP30
Lens mount(s):	C-Mount
Weight:	500 g

## Interfaces

Digital interface:	cxp-12 with 4 connections
Interface connector:	(micro-BNC)

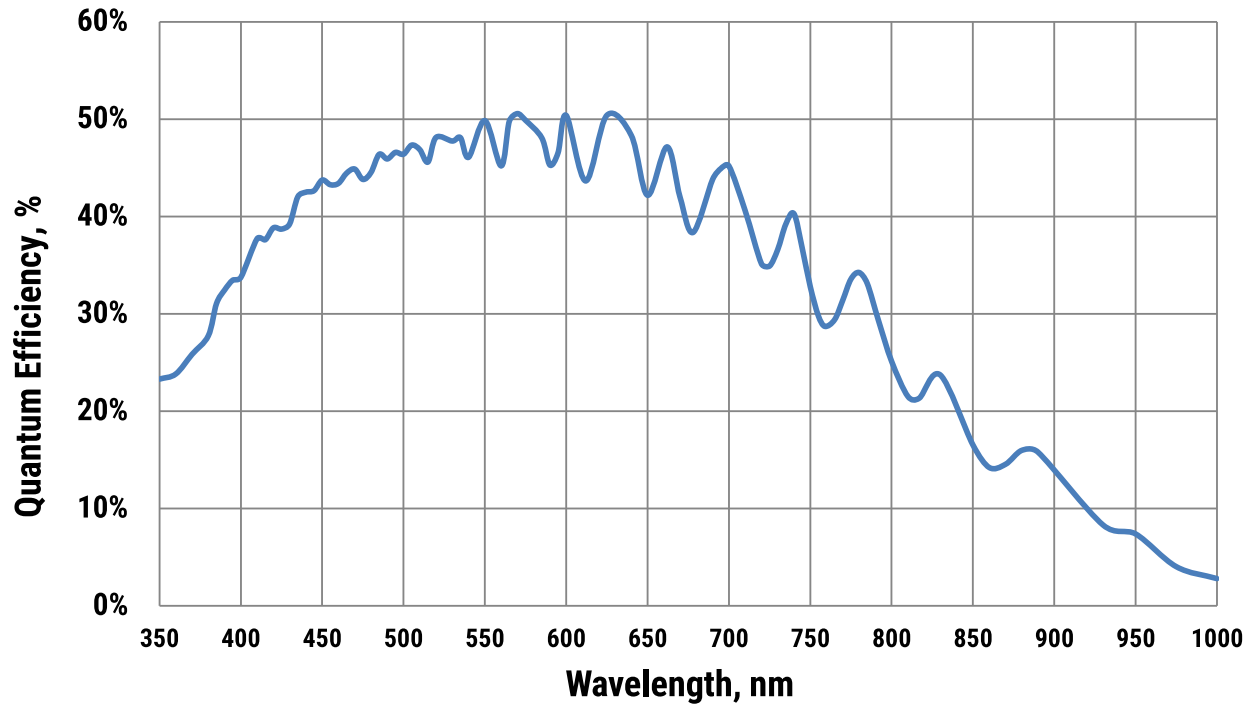
## FW features - image control

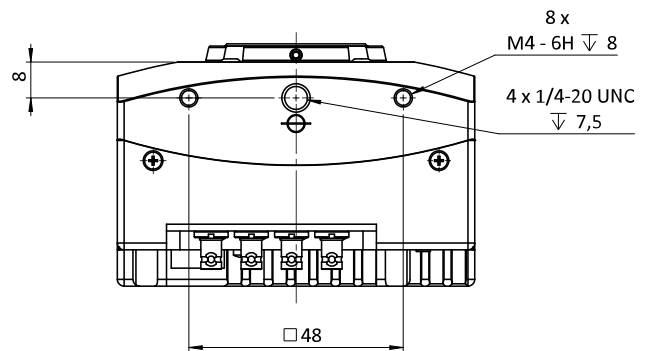
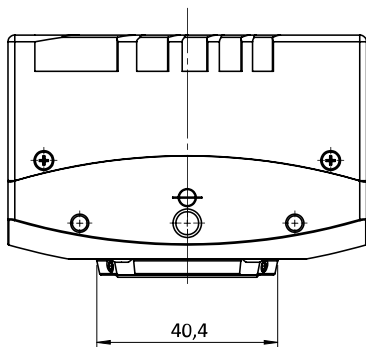
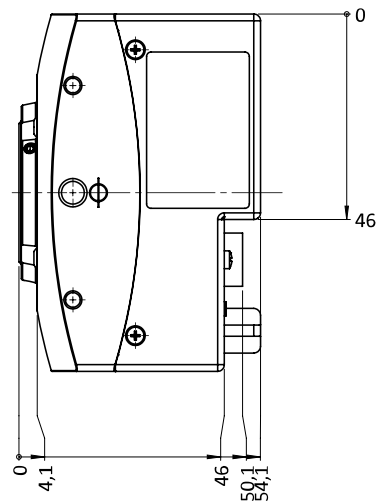
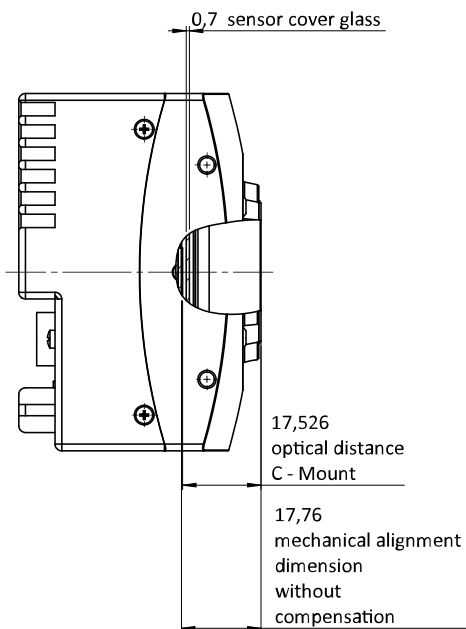
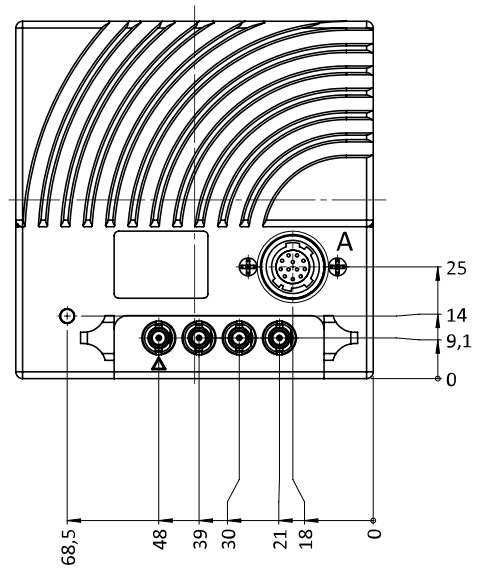
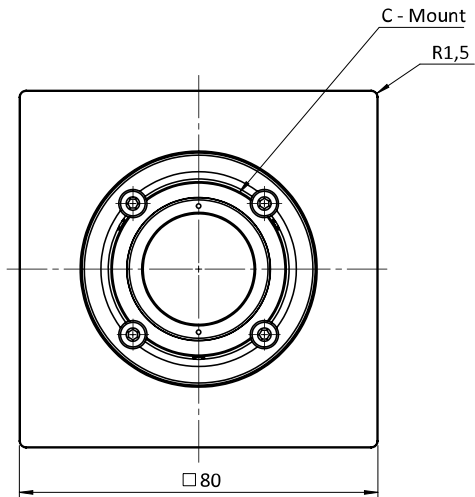
Exposure modes:	external
Gain modes:	Digital, Analog
Image control features:	FW Features - Image Control

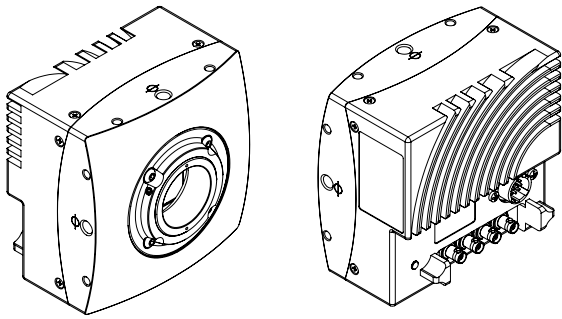
## FW features - camera control

Trigger modes/sync:	External TTL Signal, CXP-Trigger
---------------------	----------------------------------

# Quantum Efficiency







## I/O pin assignment

	Pin	Signal	Pin	Signal
	1 + 12	GND	6	IN0
	2 + 11	VCC (12-24V)	7	IO <sub>GND</sub>
	3	IO <sub>GND</sub>	8	OUT1
	4	OUT0	9	IO <sub>GND</sub>
	5	IO <sub>GND</sub>	10	IN1