



# EoSens CoaXPress-12

EoSens21MCX12-FM

## General

Model:	EoSens21MCX12-FM
Product code:	F006011
Product series:	EoSens CoaXPress-12
Status:	Available

## Sensor

Sensor type:	Area scan
Chroma:	Mono
Spectrum:	Visible
Spectral range:	350 nm to 1000 nm
Resolution:	5,120 × 4,096 (21.00 MP)
Sensor model:	Gpixel Gsprint 4521
Sensor architecture (material):	cmos
Shutter type(s):	global-shutter
Sensor size:	23.04 × 18.43 mm (29.51 mm, 29.5mm)
Pixel size:	4.50 μm × 4.50 μm

## Pixel formats

Sensor bit depth:	8-Bit,10-Bit,12-Bit
Monochrome pixel formats:	mono8, mono10, mono12

## Timing and gain

Max. frame rate:	230 fps
Max. frame rate ROI modes:	5120 x 4096   230 fps, 5120 x 3072   305 fps, 5120 x 1024   891 fps, 5120 x 128   5540 fps, x   12560 fps,
Exposure time:	4 $\mu$ s to 1 s
Gain:	0.0 dB to 12.0 dB

## I/Os and power

Non-isolated lines:	0 x LVDS input, 0 x LVDS output, 0 x TTL input, 0 x TTL output, 2 x 24V input, 0 x Open drain output,
Specific non-isolated lines:	0 x RS232 input, 0 x RS232 output, 0 x RS422 input, 0 x RS422 output,
Opto-isolated lines:	0 x Optical isolated input, 0 x Optical isolated input,
I/O connector:	2
Power supply:	12 to 24VDC
Power consumption:	External: 21 W (typical)

## Mechanical properties

Body dimensions (L x W x H in mm):	93 x 80 x 80
IP class:	IP30
Lens mount(s):	F-Mount
Weight:	630 g

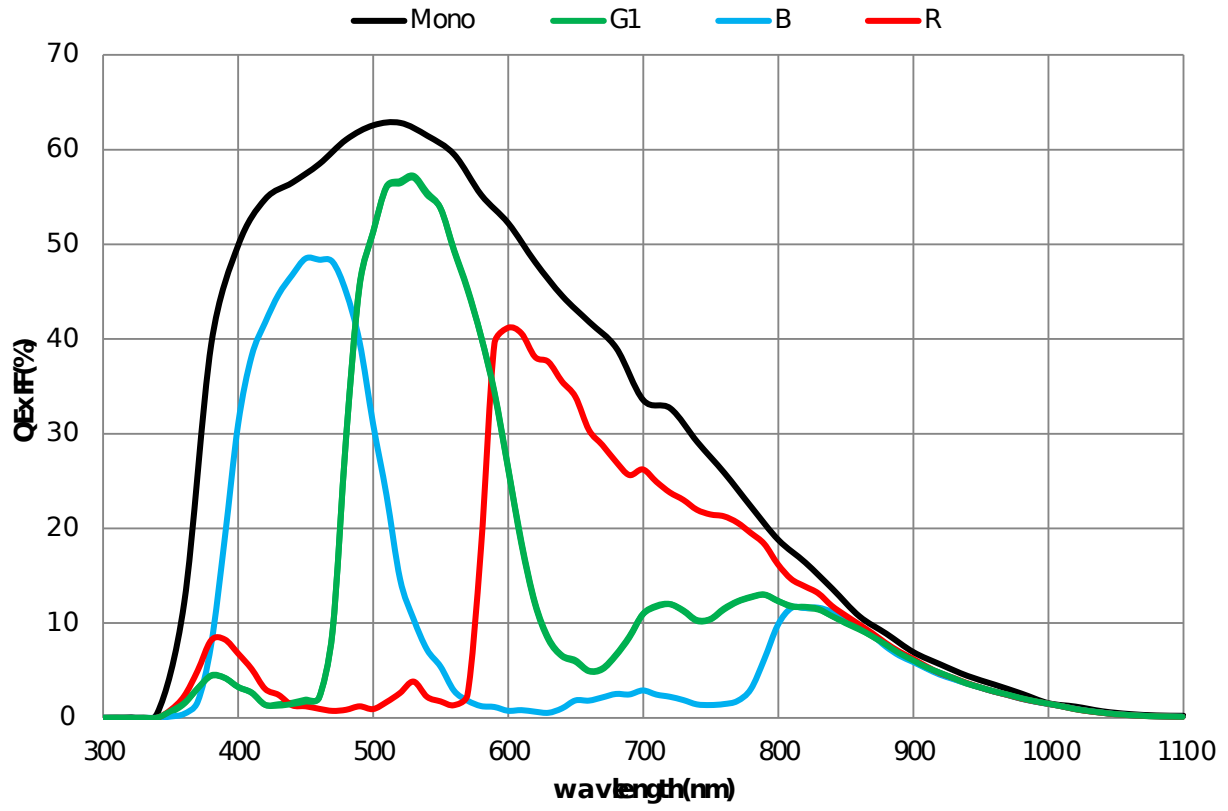
## Interfaces

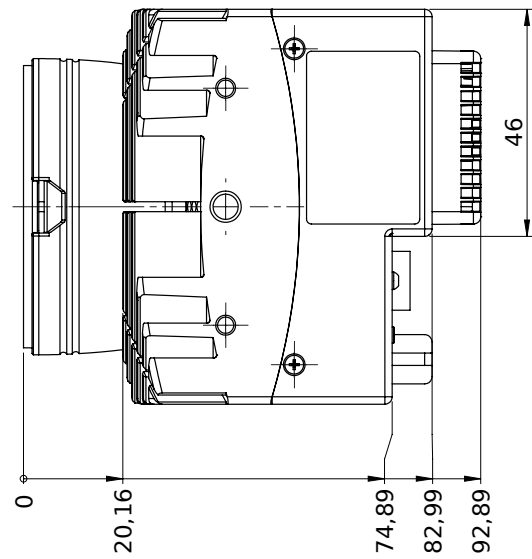
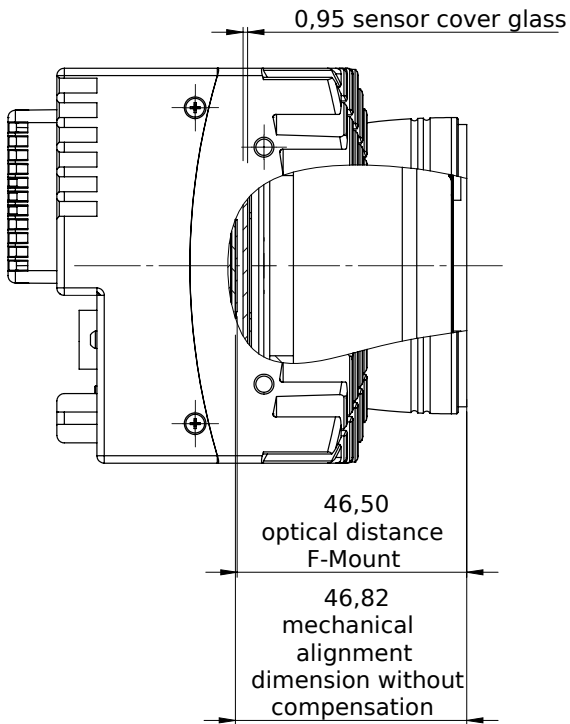
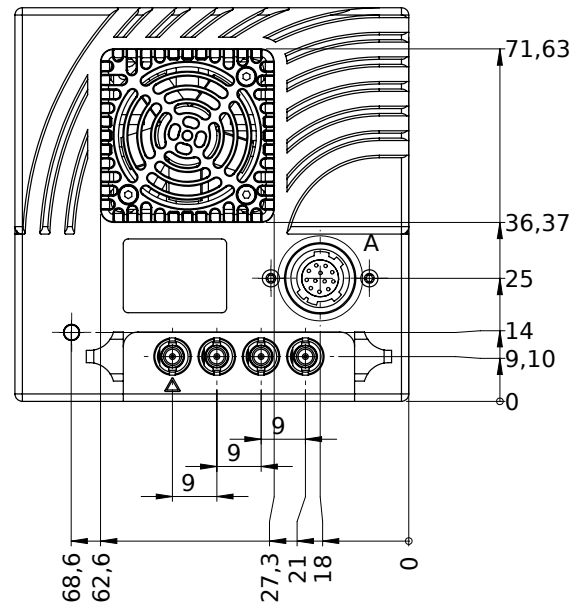
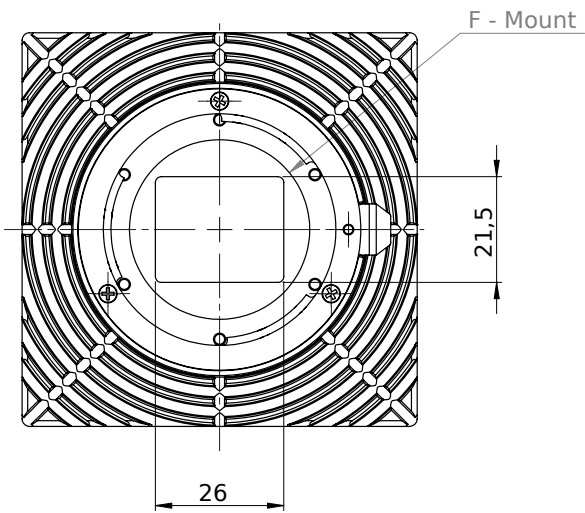
Digital interface:	cxp-12 with 4 connections
Interface connector:	(micro-BNC)

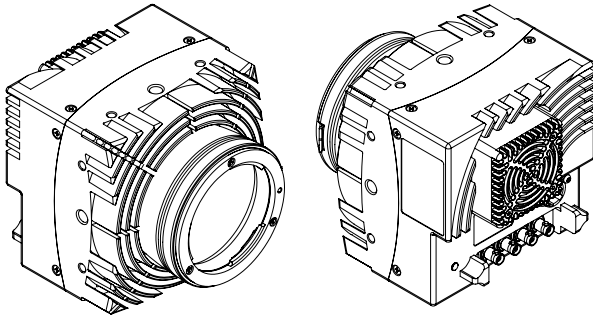
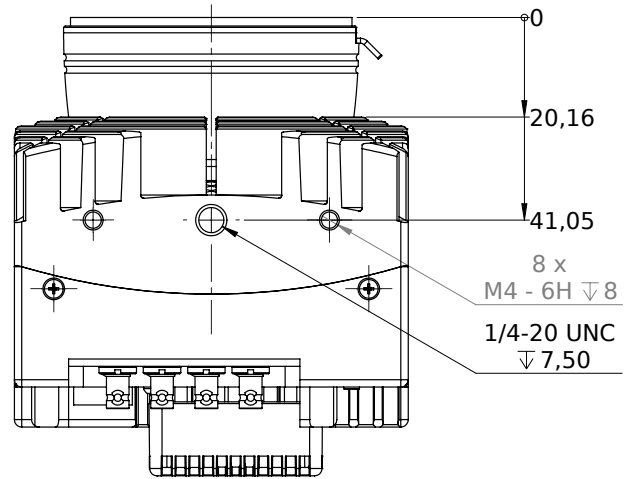
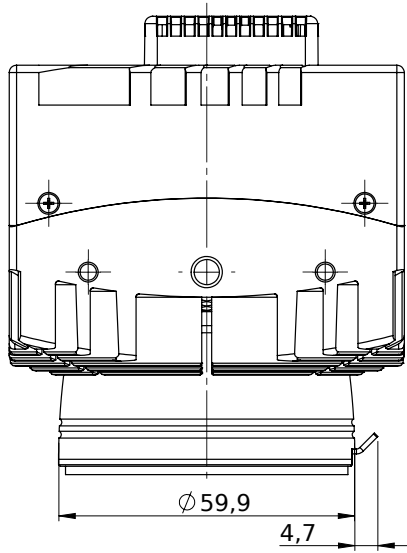
## FW features - image control

Exposure modes:	external
Gain modes:	Digital, Analog
White balance modes:	true
Image control features:	FW Features - Image Control

# Quantum Efficiency







## I/O pin assignment

	Pin	Signal	Pin	Signal
	1 + 12	GND	6	IN0
	2 + 11	VCC (12-24V)	7	IO <sub>GND</sub>
	3	IO <sub>GND</sub>	8	OUT1
	4	OUT0	9	IO <sub>GND</sub>
	5	IO <sub>GND</sub>	10	IN1