

EoSens Camera Link

EoSens1.3MCL-FM

General

| | |
|----------------|--------------------|
| Model | EoSens1.3MCL-FM |
| Product code | F006006 |
| Product series | EoSens Camera Link |
| Status | Discontinued |

Sensor

| | |
|--------------------------------|----------------------------------|
| Sensor type | Area scan |
| Chroma | Mono |
| Spectrum | Visible |
| Spectral range | 400 nm to 1000 nm |
| Resolution | 1,280 × 1,024 (1.30 MP) |
| Sensor model | ON Semi LUPA1300-2 |
| Sensor architecture (material) | cmos |
| Shutter type(s) | global-shutter |
| Sensor size | 17.92 × 14.34 mm (22.95 mm, 4/3) |
| Pixel size | 14.00 μm × 14.00 μm |

Pixel formats

| | |
|--------------------------|---------------|
| Sensor bit depth | 8-Bit,10-Bit |
| Monochrome pixel formats | mono8, mono10 |

Timing and gain

| | |
|---------------------------|--|
| Max. frame rate | 506 fps |
| Max. frame rate ROI modes | 1280 x 1024 506 fps, 640 x 480 1869 fps, 400 x 300 4068 fps, 1280 x 64 7638 fps, 60 x 60 33390 fps, x 120423 fps, |
| Exposure time | 2 μs to 1 s |
| Gain | 0.0 dB to 12.0 dB |

I/Os and power

| | |
|-----------------------------|---|
| Non-isolated lines | 0 x LVDS input, 0 x LVDS output, 0 x TTL input, 0 x TTL output, 0 x 24V input, 0 x Open drain output, |
| Specific non-isolated lines | 0 x RS232 input, 0 x RS232 output, 0 x RS422 input, 0 x RS422 output, |
| Opto-isolated lines | 1 x Optical isolated input, 0 x Optical isolated input, |
| Power supply | 8 to 24VDC |
| Power consumption | External: 5 W (typical) |

Mechanical properties

| | |
|-----------------------------------|--------------|
| Body dimensions (L x W x H in mm) | 75 × 63 × 63 |
| IP class | IP30 |
| Lens mount(s) | F-Mount |
| Weight | 350 g |

Interfaces

| | |
|---------------------|------------------|
| Digital interface | camera link full |
| Interface connector | (MDR) |

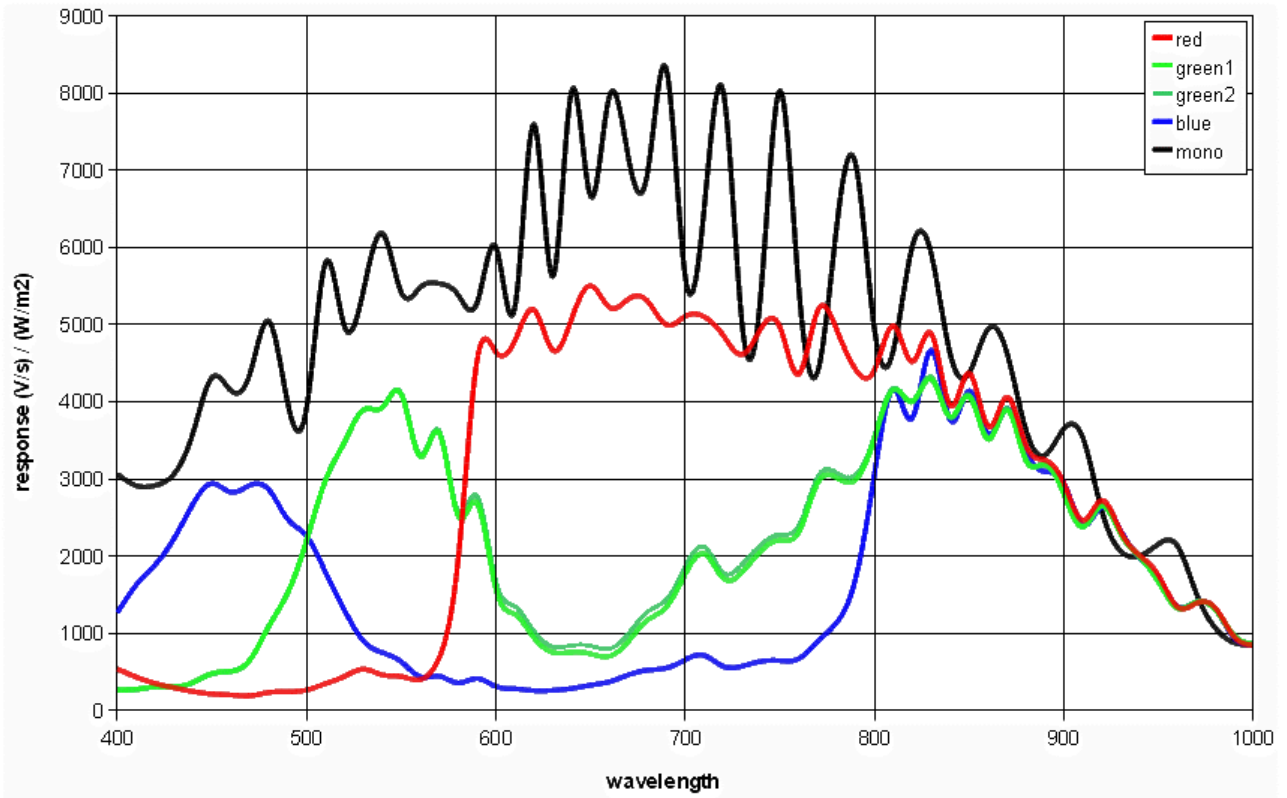
FW features - image control

| | |
|------------------------|-----------------------------|
| Exposure modes | external |
| Gain modes | Digital |
| White balance modes | true |
| Image control features | FW Features - Image Control |

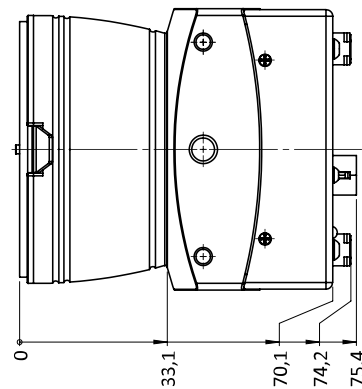
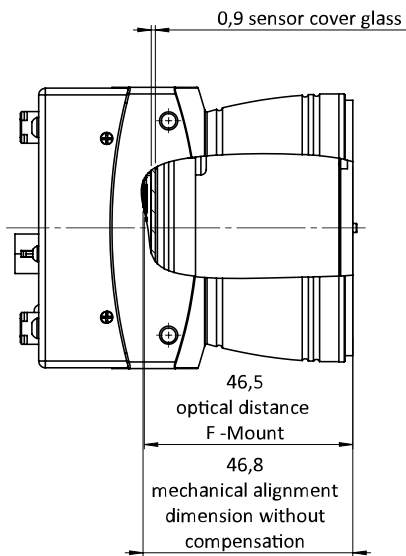
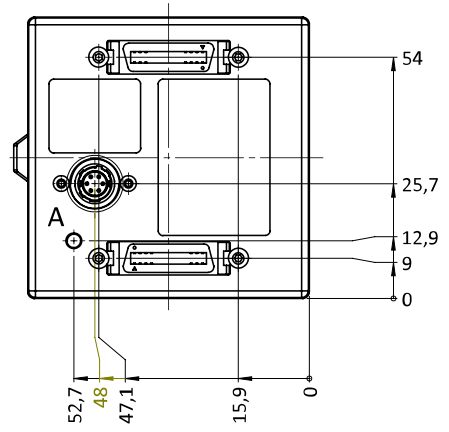
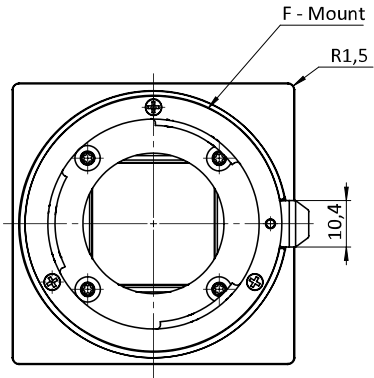
FW features - camera control

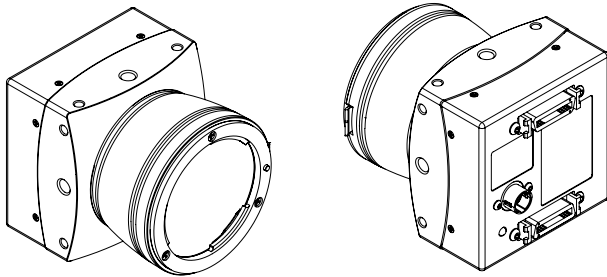
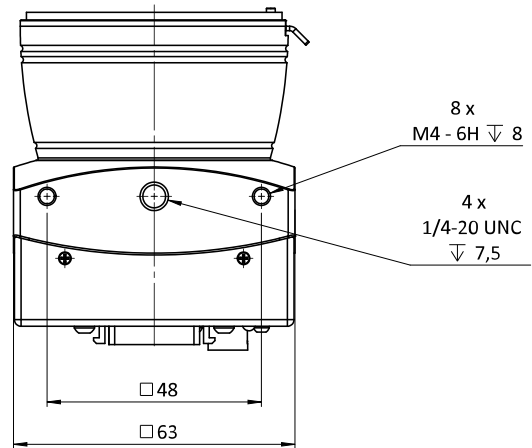
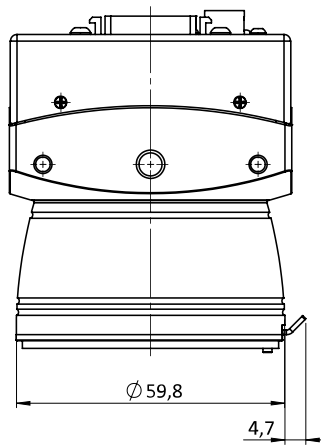
| | |
|--------------------|---------------------------------|
| Trigger modes/sync | External TTL Signal, CC-Trigger |
|--------------------|---------------------------------|

Quantum Efficiency

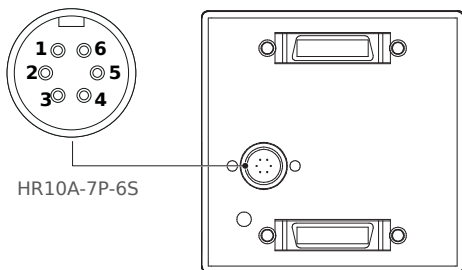


Technical Drawing





I/O pin assignment



| Pin | Signal | Pin | Signal |
|-----|---------------------|-----|---------------------|
| 1 | V _{CC} | 2 | V _{CC} |
| 3 | STRB _{OUT} | 4 | GND _{STRB} |
| 5 | GND | 6 | GND |