



EoSens Camera Link

EoSens1.3MCL-CM

General

Model:	EoSens1.3MCL-CM
Product code:	F006005
Product series:	EoSens Camera Link
Status:	Discontinued

Sensor

Sensor type:	Area scan
Chroma:	Mono
Spectrum:	Visible
Spectral range:	400 nm to 1000 nm
Resolution:	1,280 × 1,024 (1.30 MP)
Sensor model:	ON Semi LUPA1300-2
Sensor architecture (material):	cmos
Shutter type(s):	global-shutter
Sensor size:	17.92 × 14.34 mm (22.95 mm, 4/3)
Pixel size:	14.00 μm × 14.00 μm

Pixel formats

Sensor bit depth:	8-Bit,10-Bit
Monochrome pixel formats:	mono8, mono10

Timing and gain

Max. frame rate:	506 fps
Max. frame rate ROI modes:	1280 x 1024 506 fps, 640 x 480 1869 fps, 400 x 300 4068 fps, 1280 x 64 7638 fps, 60 x 60 33390 fps, x 120423 fps,
Exposure time:	2 μ s to 1 s
Gain:	0.0 dB to 12.0 dB

I/Os and power

Non-isolated lines:	0 x LVDS input, 0 x LVDS output, 0 x TTL input, 0 x TTL output, 0 x 24V input, 0 x Open drain output,
Specific non-isolated lines:	0 x RS232 input, 0 x RS232 output, 0 x RS422 input, 0 x RS422 output,
Opto-isolated lines:	1 x Optical isolated input, 0 x Optical isolated input,
Power supply:	8 to 24VDC
Power consumption:	External: 5 W (typical)

Mechanical properties

Body dimensions (L x W x H in mm):	47 x 63 x 63
IP class:	IP30
Lens mount(s):	C-Mount
Weight:	300 g

Interfaces

Digital interface:	camera link full
Interface connector:	(MDR)

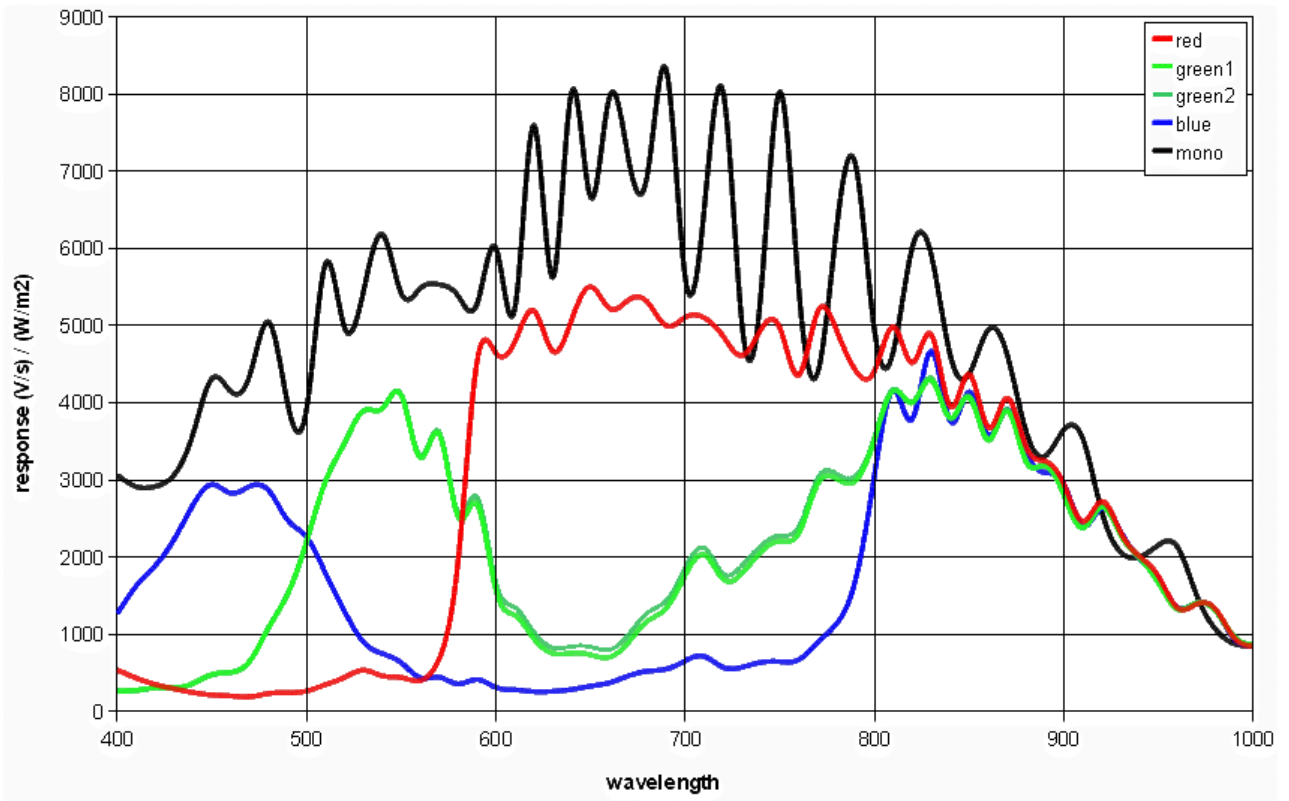
FW features - image control

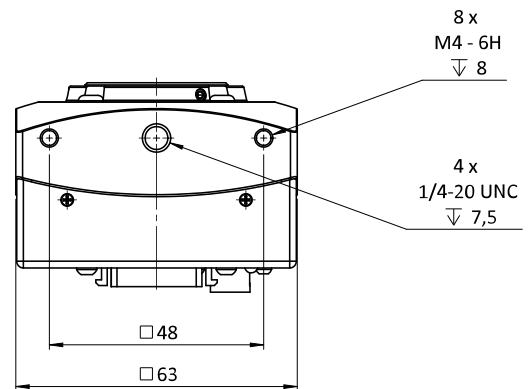
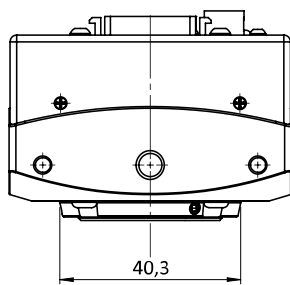
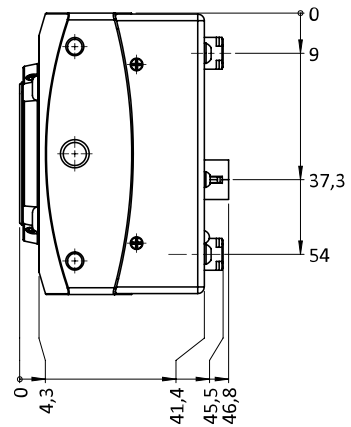
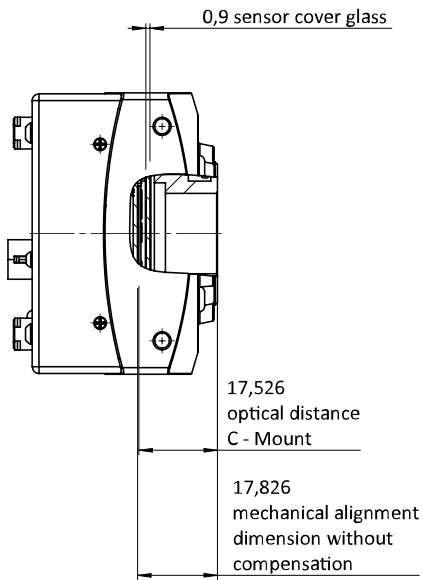
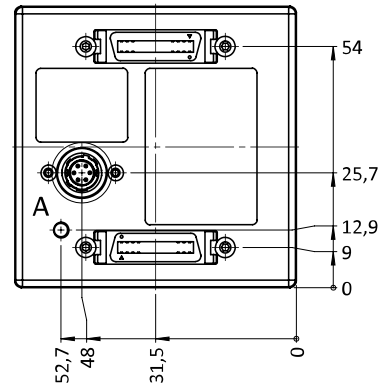
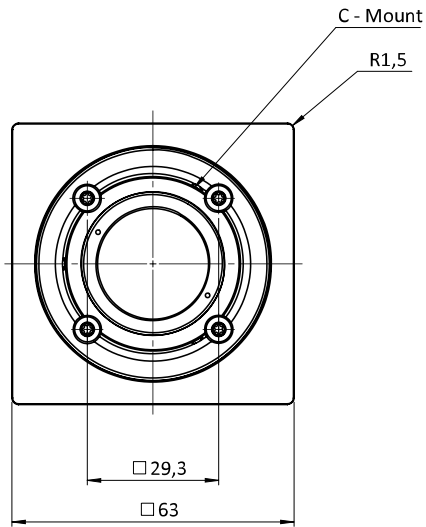
Exposure modes:	external
Gain modes:	Digital
White balance modes:	true
Image control features:	FW Features - Image Control

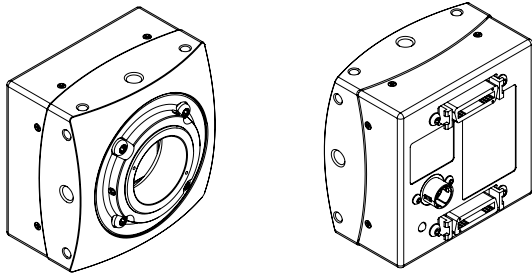
FW features - camera control

Trigger modes/sync:	External TTL Signal, CC-Trigger
---------------------	---------------------------------

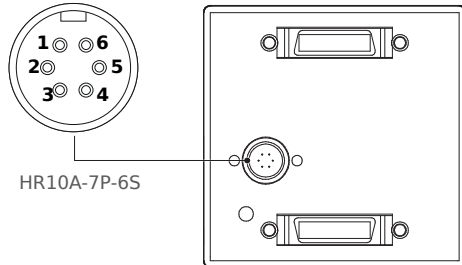
Quantum Efficiency







I/O pin assignment



Pin	Signal	Pin	Signal
1	V _{CC}	2	V _{CC}
3	STRB _{OUT}	4	GND _{STRB}
5	GND	6	GND