



Alvium GM2

Alvium GM2-130 VSWIR

Alvium GM2-130 VSWIR innovative GMSL2 camera with Sony IMX990 SenSWIR InGaAs global shutter sensor provides industrial performance for cost effective embedded vision applications.

General

Model:	Alvium GM2-130 VSWIR
Product series:	Alvium GM2
Status:	Available

Sensor

Sensor type:	Area scan
Chroma:	Mono
Spectrum:	SWIR, Visible SWIR
Spectral range:	400 nm to 1700 nm
Resolution:	1,296 × 1,032 (1.30 MP)
Sensor model:	Sony IMX990 InGaAs
Sensor architecture (material):	InGaAs
Shutter type(s):	Global Shutter
Sensor size:	8.15 mm ø (Type 1/2)
Pixel size:	5.00 µm × 5.00 µm

Pixel formats

Sensor bit depth:	8-bit, 10-bit, 12-bit; Adaptive (10-bit, 12-bit)
Monochrome pixel formats:	Mono8 (default), Mono10, Mono10p, Mono12, Mono12p, RAW8 (default), RAW10, RAW12, GREY, Y10, Y12

I/Os and power

Non-isolated lines:	2 programmable GPIOs
I/O connector:	Coax, STP
Power supply:	5 VDC over MIPI CSI-2
Power consumption:	Value for the integrated serializer adds to CSI-2 model value.

Operating conditions

Operating temperature (housing):	-20 °C to 65 °C (housing)
----------------------------------	---------------------------

Mechanical properties

Body dimensions (L x W x H in mm):	41 × 29 × 29
Lens mount(s):	C-Mount, CS-Mount, S-Mount
Weight:	70 g

On-board memory and FPGA

Image buffer (RAM):	256 KByte
Non-volatile memory (Flash):	1024 KByte

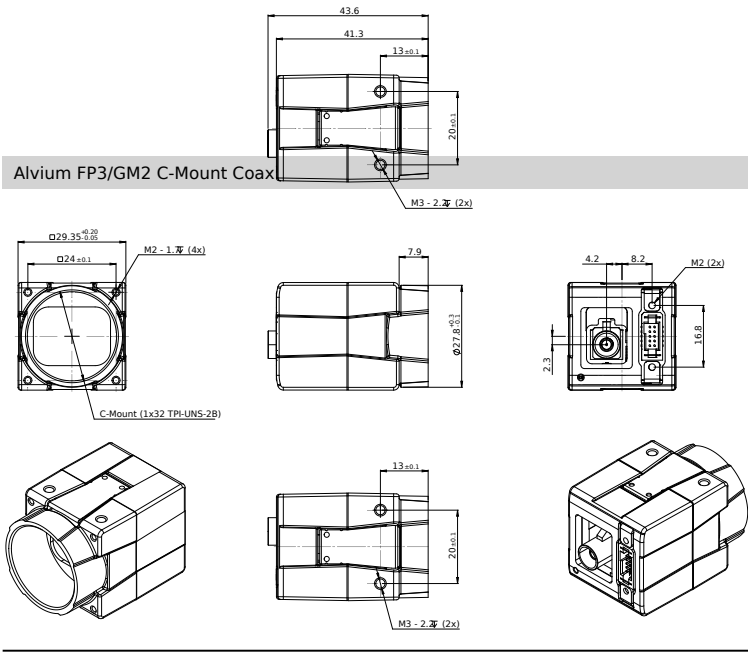
Interfaces

Digital interface:	GMSL2, based on MIPI CSI-2, up to 4 lanes
--------------------	---

Quantum Efficiency



Alvium FP3/GM2 C-Mount Coax



Alvium FP3/GM2 C-Mount STP

