

Alvium GM2

Alvium GM2-240



Alvium GM2-240 innovative GMSL2 camera with Sony IMX392 CMOS global shutter sensor provides industrial performance for cost effective embedded and machine vision applications.

General

Model:	Alvium GM2-240
Product series:	Alvium GM2
Status:	Available

Sensor

Sensor type:	Area scan
Chroma:	Mono or Color
Spectrum:	Visible
Spectral range:	300 nm to 1100 nm
Resolution:	1,936 × 1,216 (2.40 MP)
Sensor model:	Sony IMX392
Sensor architecture (material):	CMOS
Shutter type(s):	Global Shutter
Sensor size:	7.90 mm diagonal (Type 1/2.3)
Pixel size:	3.45 μm × 3.45 μm

Pixel formats

Sensor bit depth:	8-bit, 10-bit, 12-bit; Adaptive (10-bit, 12-bit)
Monochrome pixel formats:	Mono8, Mono10, Mono10p, Mono12, Mono12p, RAW8, RAW10, RAW12, GREY, Y10, Y12

Pixel formats

YUV pixel formats:	YCbCr411_8_CbYYCrYY, YCbCr422_8_CbYCrY, YCbCr8_CbYCr, YUV422 8-bit, UYVY
RGB pixel formats:	RGB8 (default), BGR8, RGB888 (default), RGB3
Bayer pixel formats:	BayerGR8, BayerGR10, BayerGR10p, BayerGR12, BayerGR12p
Output color space:	8-bit, 10-bit, 12-bit; Adaptive (10-bit, 12-bit)

Imaging performance

Quantum efficiency @ 529 nm:	64 %
------------------------------	------

I/Os and power

Non-isolated lines:	2 programmable GPIOs
I/O connector:	Coax, STP
Power supply:	5 VDC over MIPI CSI-2
Power consumption:	Value for the integrated serializer adds to CSI-2 model value.

Operating conditions

Operating temperature (housing):	-20 °C to 65 °C (housing)
----------------------------------	---------------------------

Mechanical properties

Body dimensions (L x W x H in mm):	41 × 29 × 29
Lens mount(s):	C-Mount, CS-Mount, S-Mount
Weight:	70 g

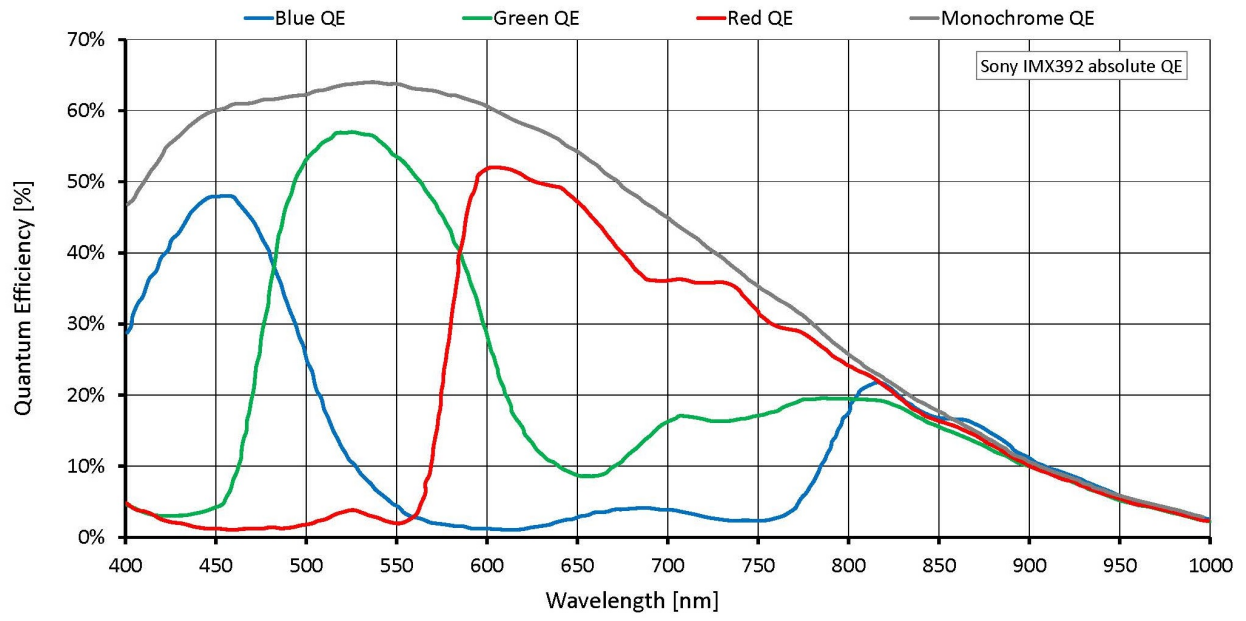
On-board memory and FPGA

Image buffer (RAM):	256 KByte
Non-volatile memory (Flash):	1024 KByte

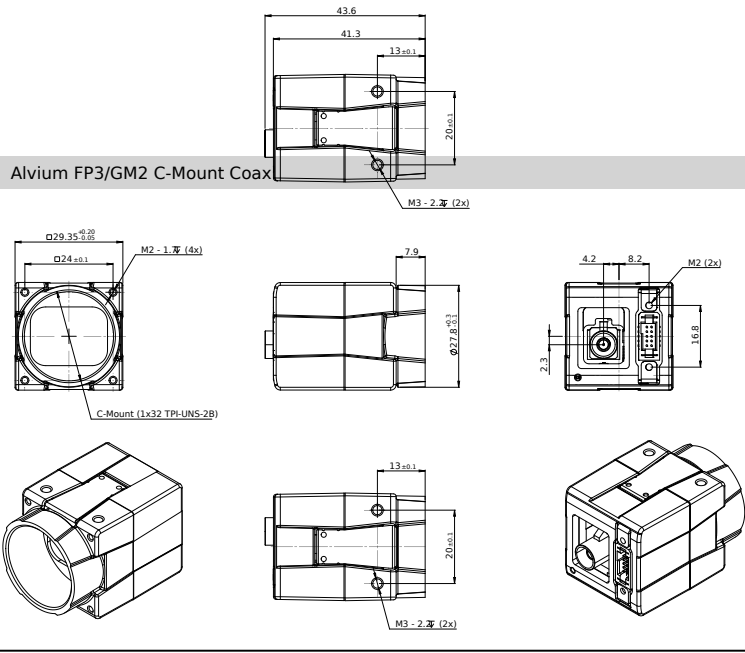
Interfaces

Digital interface:	GMSL2, based on MIPI CSI-2, up to 4 lanes
--------------------	---

Quantum Efficiency



Alvium FP3/GM2 C-Mount Coax



Alvium FP3/GM2 C-Mount STP

