



Alvium GM2

Alvium GM2-812 UV

Alvium GM2-812 UV innovative GMSL2 camera with Sony IMX487 CMOS global shutter sensor provides industrial performance for cost effective embedded applications.

General

Model:	Alvium GM2-812 UV
Product series:	Alvium GM2
Status:	Available

Sensor

Sensor type:	Area scan
Chroma:	Mono
Spectrum:	UV
Spectral range:	200 nm to 1000 nm
Resolution:	2,848 × 2,848 (8.10 MP)
Sensor model:	Sony IMX487
Sensor architecture (material):	CMOS
Shutter type(s):	Global Shutter
Sensor size:	12.75 mm ø (Type 2/3)
Pixel size:	2.74 µm × 2.74 µm

Pixel formats

Sensor bit depth:	12-bit
Monochrome pixel formats:	Mono8, Mono10, Mono10p, Mono12, Mono12p, RAW8, RAW10, RAW12, GREY, Y10, Y12

Timing and gain

Max. frame rate: Mainly depends on hardware and register settings.

I/Os and power

Non-isolated lines: 2 programmable GPIOs

I/O connector: Coax, STP

Power supply: 5 VDC over MIPI CSI-2

Power consumption: Value for the integrated serializer adds to CSI-2 model value.

Operating conditions

Operating temperature (housing): -20 °C to 65 °C (housing)

Mechanical properties

Body dimensions (L x W x H in mm): 41 × 29 × 29

Lens mount(s): C-Mount, CS-Mount

Weight: 70 g

On-board memory and FPGA

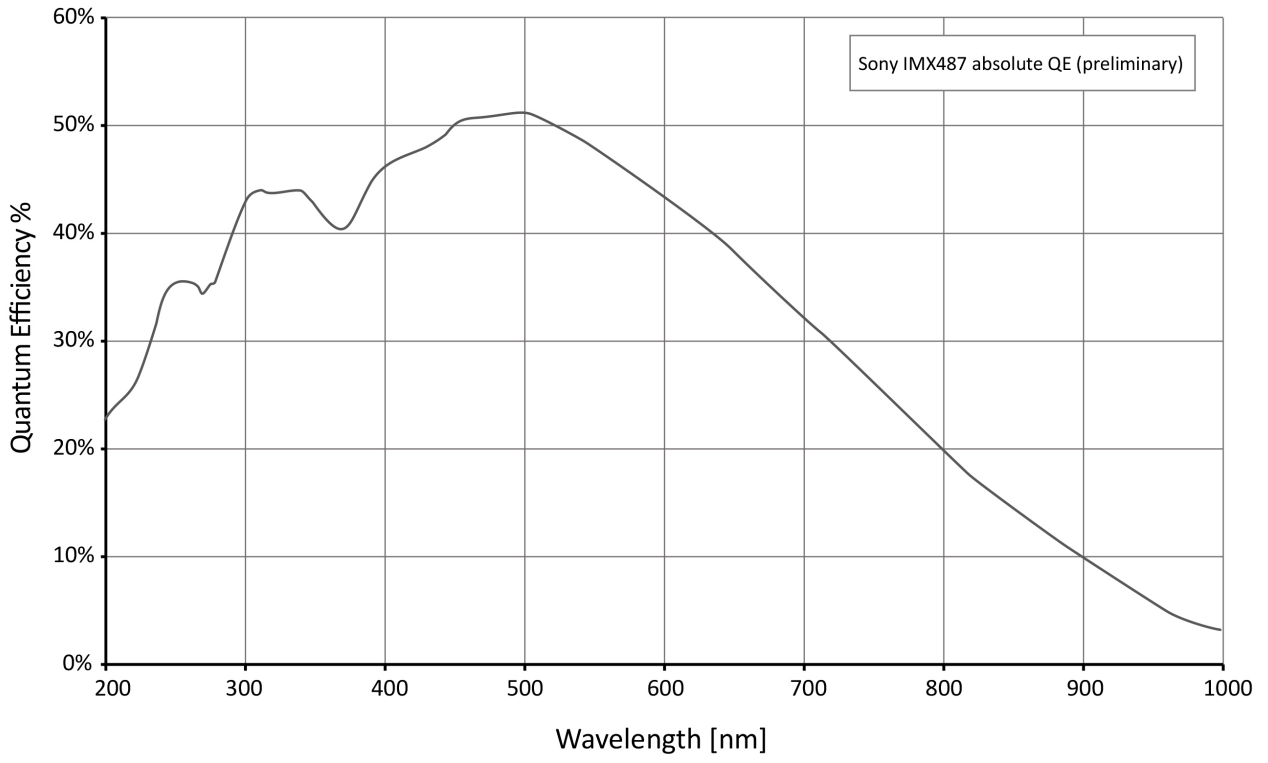
Image buffer (RAM): 256 KByte

Non-volatile memory (Flash): 1024 KByte

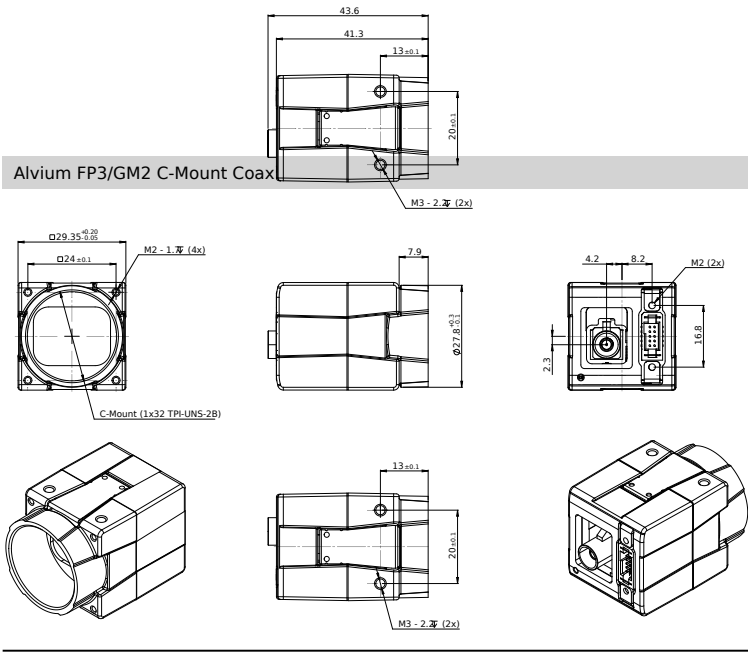
Interfaces

Digital interface: GMSL2, based on MIPI CSI-2, up to 4 lanes

Quantum Efficiency



Alvium FP3/GM2 C-Mount Coax



Alvium FP3/GM2 C-Mount STP

