

Alvium FP3

Alvium FP3-320 VSWIR



Preliminary product information. Features and technical specifications are subject to change without notice.

Alvium FP3-320 VSWIR innovative FPD-Link III camera with Sony IMX993 SenSWIR InGaAs global shutter sensor provides industrial performance for cost effective embedded vision applications.

General

Model:	Alvium FP3-320 VSWIR
Product series:	Alvium FP3
Status:	Prototype/engineering sample

Sensor

Sensor type:	Area scan
Spectrum:	SWIR, Visible SWIR
Spectral range:	400 nm to 1700 nm
Resolution:	2,080 × 1,544 (3.20 MP)
Sensor model:	Sony IMX993 InGaAs
Sensor architecture (material):	InGaAs
Shutter type(s):	Global Shutter
Sensor size:	9 mm \varnothing (Type 1/1.8)
Pixel size:	3.45 μm × 3.45 μm

Pixel formats

Monochrome pixel formats:	GREY, RAW10, RAW12, RAW8, Y10, Y12
---------------------------	------------------------------------

Timing and gain

Max. frame rate:	Mainly depends on hardware and register settings.
Exposure time:	33 μ s to 10 s
Gain:	0.0 dB to 42.0 dB

I/Os and power

Non-isolated lines:	2 programmable GPIOs
I/O connector:	Coax, STP
Power supply:	5 VDC over MIPI CSI-2
Power consumption:	Value for the integrated serializer adds to CSI-2 model value.

Operating conditions

Operating temperature (housing):	-20 °C to 65 °C (housing)
----------------------------------	---------------------------

Mechanical properties

Body dimensions (L x W x H in mm):	41 × 29 × 29
Lens mount(s):	C-Mount, CS-Mount
Weight:	70 g

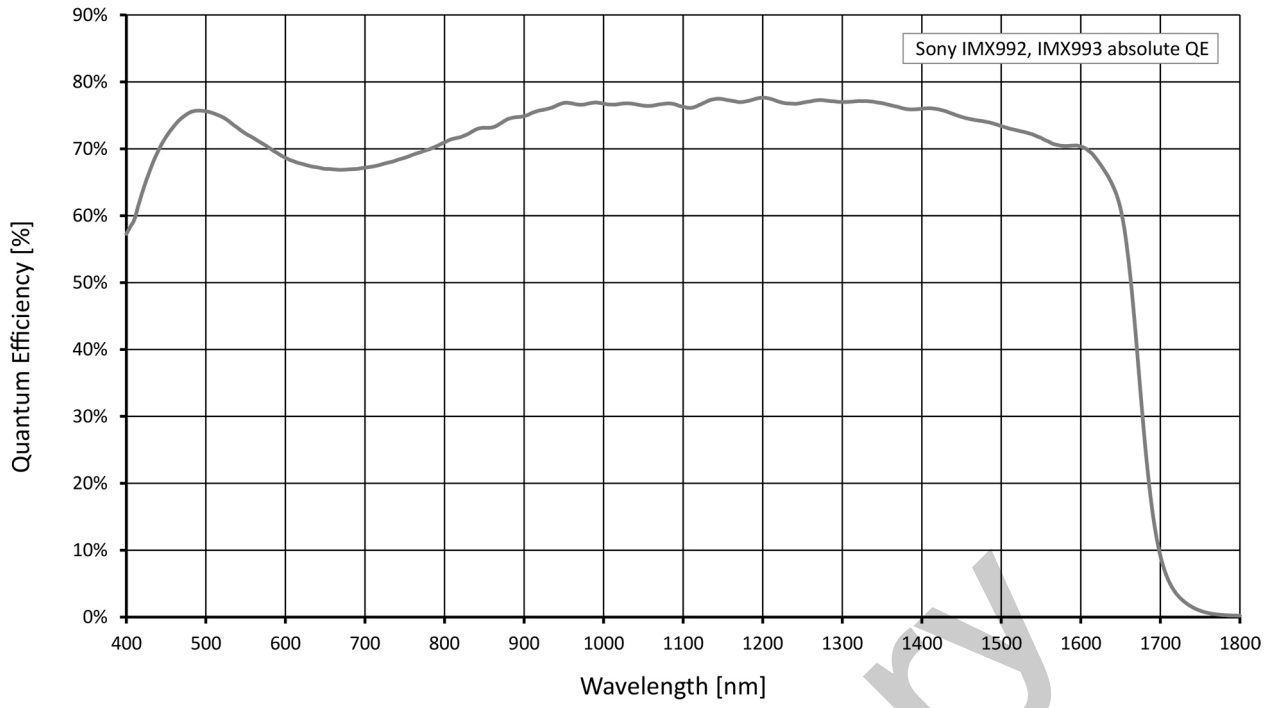
On-board memory and FPGA

Image buffer (RAM):	256 KByte
Non-volatile memory (Flash):	1024 KByte

Interfaces

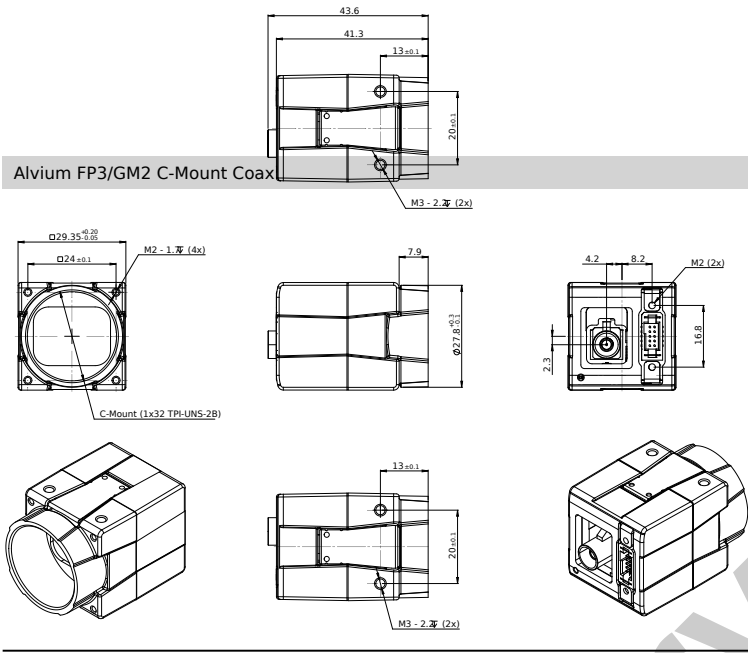
Digital interface:	FPD-Link III, based on MIPI CSI-2, up to 4 lanes
--------------------	--

Quantum Efficiency



preliminary

Alvium FP3/GM2 C-Mount Coax



Alvium FP3/GM2 C-Mount STP

