

Alvium FP3

Alvium FP3-508 Pol



Alvium FP3-508 Pol innovative FPD-Link III camera with Sony IMX250 Polarizer CMOS global shutter sensor provides industrial performance for cost effective embedded applications.

General

Model:	Alvium FP3-508 Pol
Product series:	Alvium FP3
Status:	Available

Sensor

Sensor type:	Area scan
Chroma:	Mono or Color
Spectrum:	Visible
Spectral range:	300 nm to 1100 nm
Resolution:	2,464 × 2,056 (5.10 MP)
Sensor model:	Sony IMX250 Polarizer
Shutter type(s):	Global Shutter
Sensor size:	12.75 mm \varnothing (Type 2/3)
Pixel size:	3.45 μm × 3.45 μm

Pixel formats

Monochrome pixel formats:	GREY, RAW10, RAW12, RAW8, Y10, Y12
Bayer pixel formats:	BayerGR10, BayerGR10p, BayerGR12, BayerGR12p, BayerGR8

Timing and gain

Max. frame rate:	48
Exposure time:	19 μ s to 10 s
Gain:	0.0 dB to 48.0 dB

I/Os and power

Non-isolated lines:	2 programmable GPIOs
I/O connector:	Coax, STP
Power supply:	5 VDC over MIPI CSI-2
Power consumption:	Value for the integrated serializer adds to CSI-2 model value.

Operating conditions

Operating temperature (housing):	-20 °C to 65 °C (housing)
----------------------------------	---------------------------

Mechanical properties

Body dimensions (L x W x H in mm):	41 × 29 × 29
Lens mount(s):	C-Mount, CS-Mount
Weight:	70 g

On-board memory and FPGA

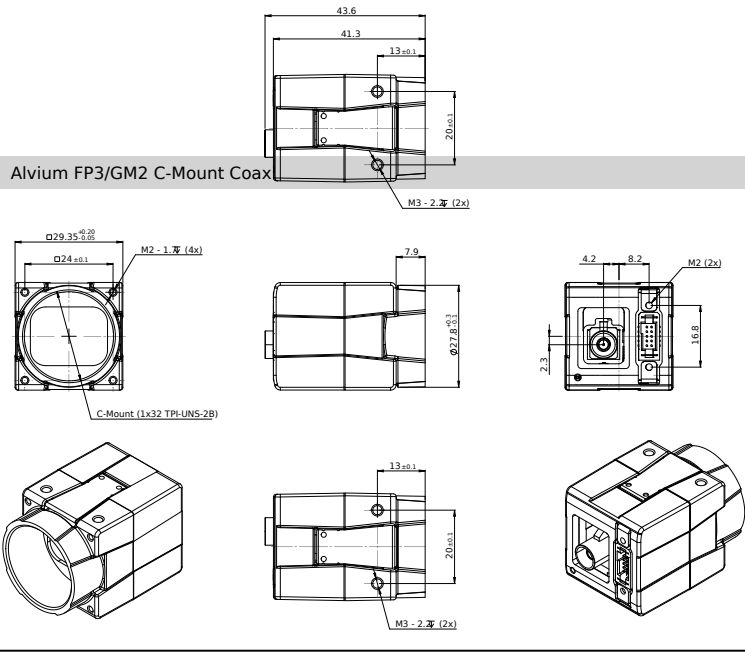
Image buffer (RAM):	256 KByte
Non-volatile memory (Flash):	1024 KByte

Interfaces

Digital interface:	FPD-Link III, based on MIPI CSI-2, up to 4 lanes
--------------------	--

 Specifications Image

Alvium FP3/GM2 C-Mount Coax



Alvium FP3/GM2 C-Mount STP

