

Alvium FP3

Alvium FP3-812 UV



Alvium FP3-812 UV innovative FPD-Link III camera with Sony IMX487 CMOS global shutter sensor provides industrial performance for cost effective embedded applications.

General

Model:	Alvium FP3-812 UV
Product series:	Alvium FP3
Status:	Available

Sensor

Sensor type:	Area scan
Spectrum:	UV
Spectral range:	200 nm to 1000 nm
Resolution:	2,848 × 2,848 (8.10 MP)
Sensor model:	Sony IMX487
Shutter type(s):	Global Shutter
Sensor size:	12.75 mm \varnothing (Type 2/3)
Pixel size:	2.74 μm × 2.74 μm

Pixel formats

Monochrome pixel formats:	GREY, RAW10, RAW12, RAW8, Y10, Y12
---------------------------	------------------------------------

Timing and gain

Max. frame rate:	Mainly depends on hardware and register settings.
Exposure time:	8 μs to 10 s

Timing and gain

Gain: 0.0 dB to 48.0 dB

I/Os and power

Non-isolated lines: 2 programmable GPIOs

I/O connector: Coax, STP

Power supply: 5 VDC over MIPI CSI-2

Power consumption: Value for the integrated serializer adds to CSI-2 model value.

Operating conditions

Operating temperature (housing): -20 °C to 65 °C (housing)

Mechanical properties

Body dimensions (L x W x H in mm): 41 × 29 × 29

Lens mount(s): C-Mount, CS-Mount

Weight: 70 g

On-board memory and FPGA

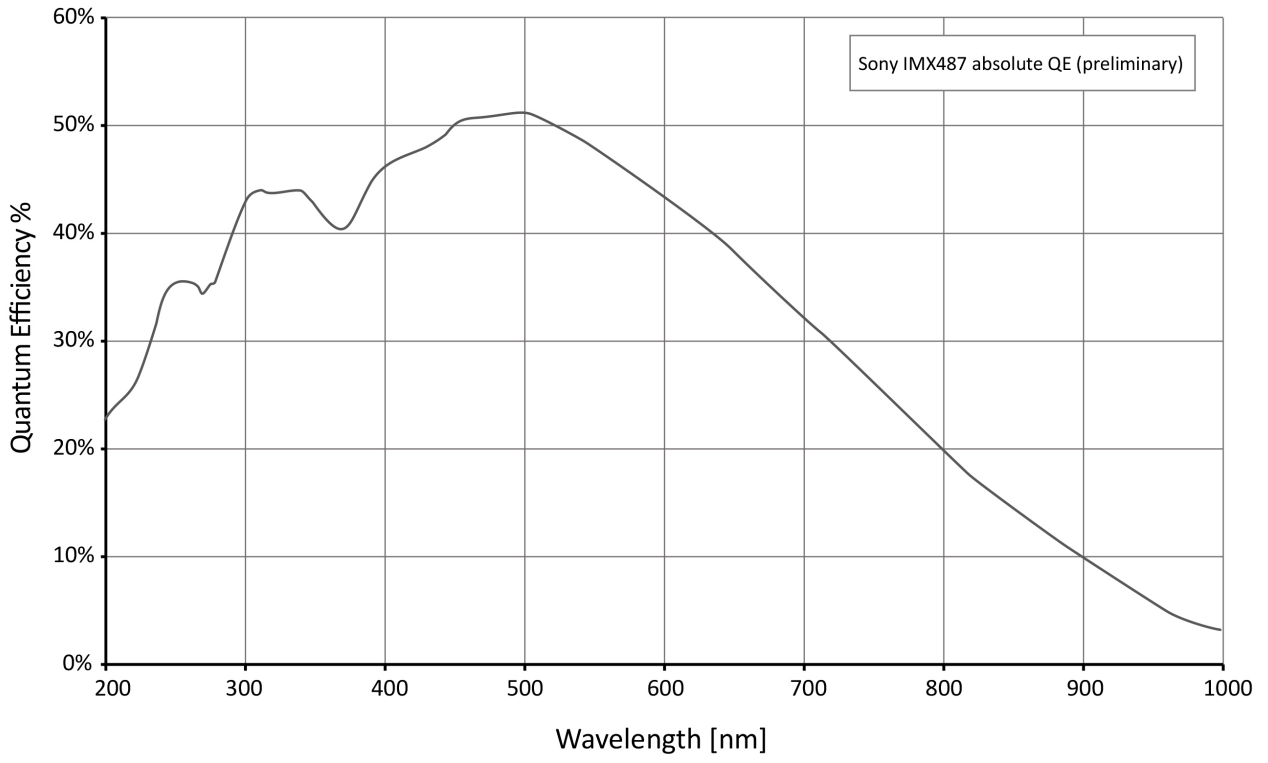
Image buffer (RAM): 256 KByte

Non-volatile memory (Flash): 1024 KByte

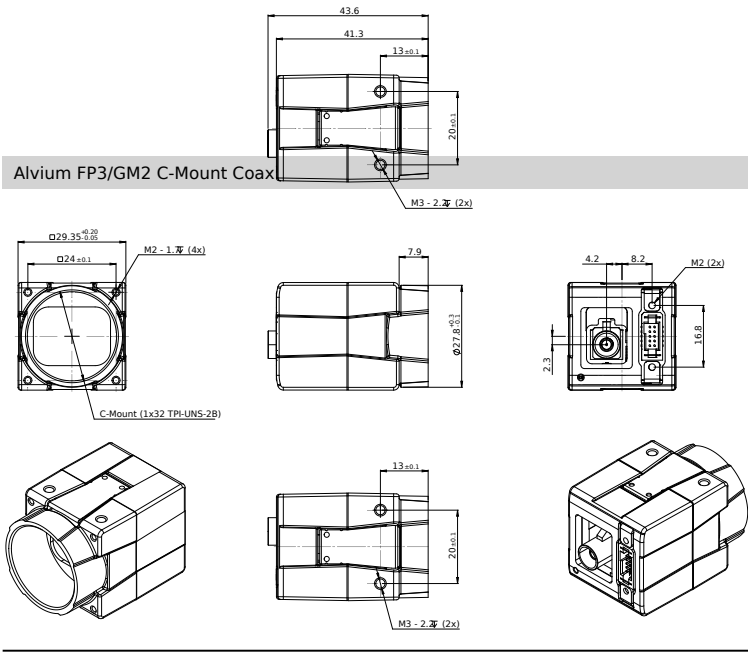
Interfaces

Digital interface: FPD-Link III, based on MIPI CSI-2, up to 4 lanes

Quantum Efficiency



Alvium FP3/GM2 C-Mount Coax



Alvium FP3/GM2 C-Mount STP

