

FXO CoaXPress

fxo530CCX12-2C



常规

| | |
|-------|----------------|
| 型号: | fxo530CCX12-2C |
| 产品代码: | F002259 |
| 产品系列: | FXO CoaXPress |
| 状态: | Available |

传感器

| | |
|--------------|--|
| 传感器类型: | Area scan |
| 色度: | Color |
| 光谱: | Visible |
| 光谱范围: | 400 nm to 1000 nm |
| 分辨率: | 5,328 × 4,608 (24.60 MP) |
| 传感器型号: | Sony IMX530AAQJ |
| 传感器架构 (材料) : | cmos |
| 快门类型: | global-shutter |
| 传感器尺寸: | 14.6 × 12.63 mm (19.3 mm, 19.3mm (Type 1.2)) |
| 像素尺寸: | 2.74 μm × 2.74 μm |

像素格式

| | |
|----------|-----------------|
| 传感器位深度: | 8-Bit,12-Bit |
| RGB像素格式: | bayer8, bayer12 |

成像性能

动态范围: 72 dB

信噪比: 39 dB

时序与增益

最大帧率: 97.6

曝光时间: 5 μ s to 60 s

增益: 0.0 dB to 48.0 dB

I/O与电源

非电气隔离IO: 0 x LVDS input, 0 x LVDS output, 0 x TTL input, 0 x TTL output, 2 x 24V input, 4 x Open drain output,

特定非电气隔离IO: 1 x RS232 input, 1 x RS232 output, 0 x RS422 input, 0 x RS422 output,

光电隔离线路: 1 x Optical isolated input, 0 x Optical isolated input,

电源供应: 10 to 25VDC, Power over CoaXPress

功耗: External: 14 W (typical)

工作条件

工作温度 (外壳): -10 °C to 60 °C

机械特性

机身尺寸 (L x W x H mm) : 73 x 50 x 50

滤光片/保护玻璃: IR-Cut 680

IP防护等级: IP30

镜头接口: C-Mount

重量: 240 g

板载内存与FPGA

非易失性存储器 (闪存) : 32 MByte

接口

数字接口: cxp-12 with 2 connections

接口连接器: (micro-BNC)

固件功能 - 图像控制

曝光模式: Manual, Auto, External

增益模式: Auto, Manual

固件功能 - 图像控制

白平衡模式: auto, manual

图像控制功能: FW Features - Image Control

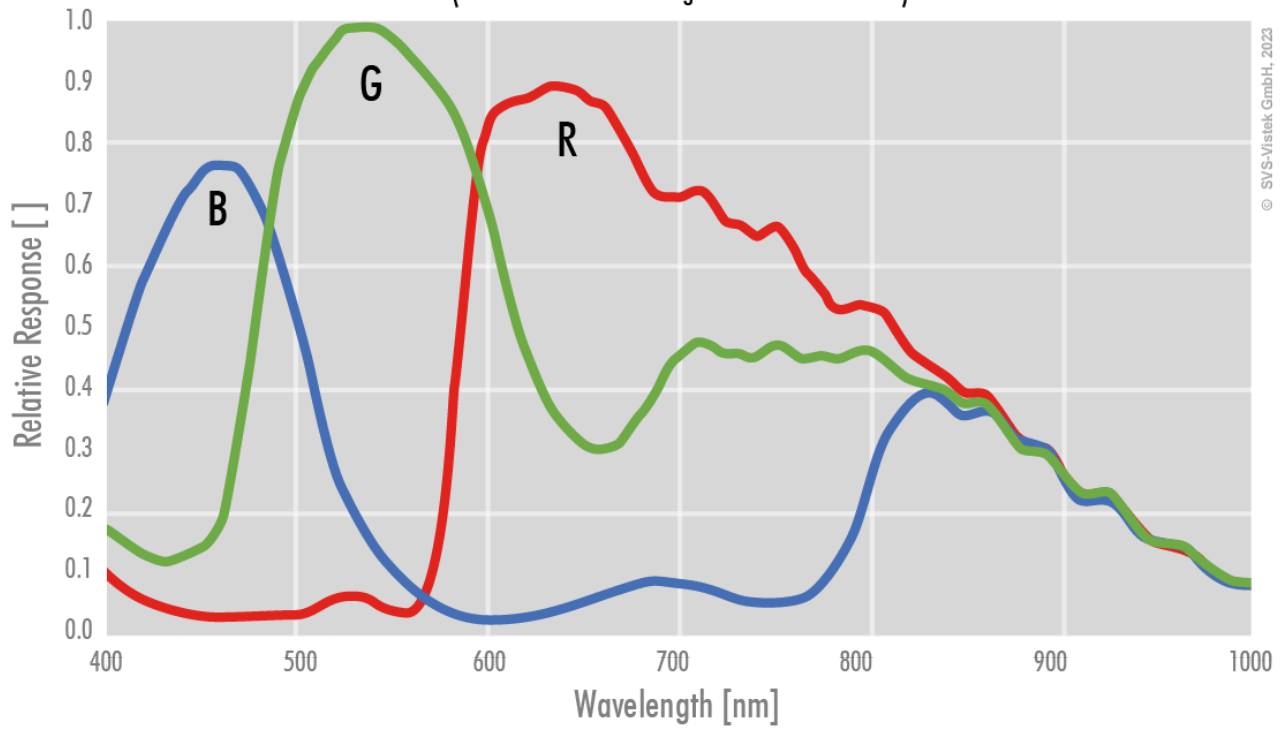
固件功能 - 相机控制

触发模式/同步: INTERNAL, SOFTWARE, EXTERNAL

相机控制功能: PoCxP, User Sets, PWM(4), Sequencer,

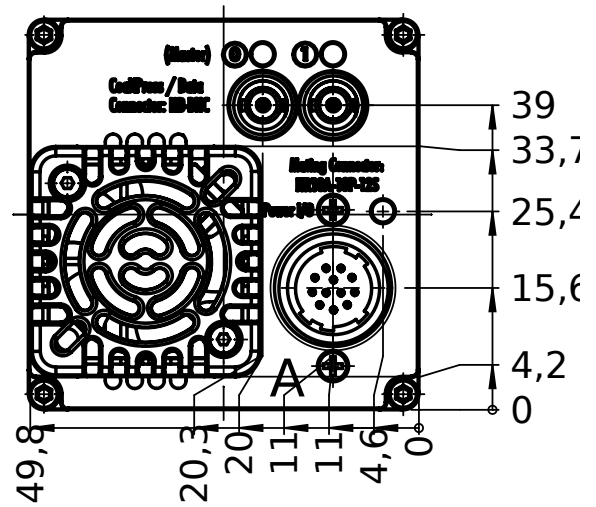
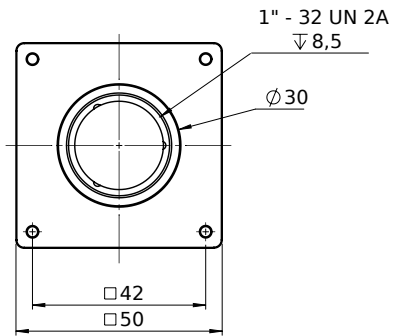
Color

(not included: lens- and light source characteristics)

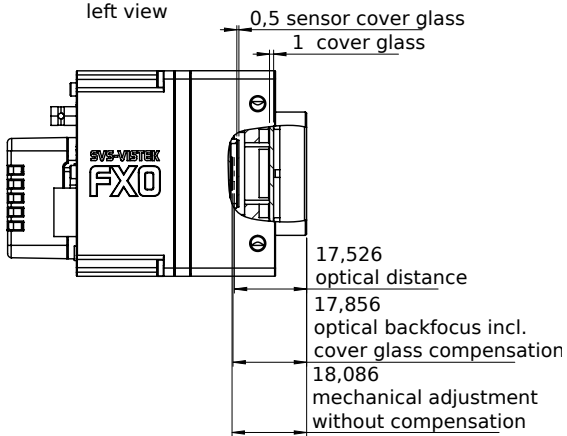


back view

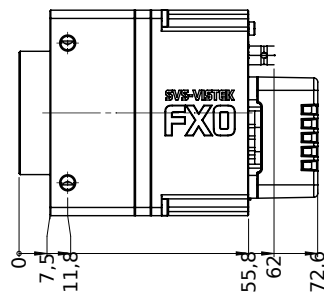
front view



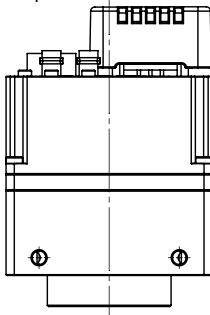
left view



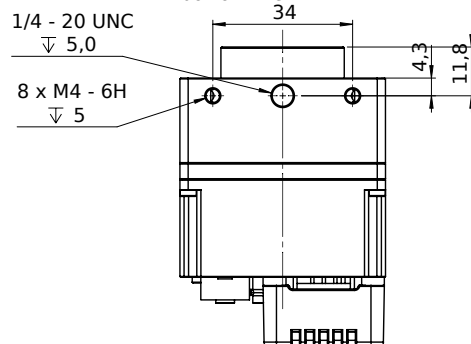
right view

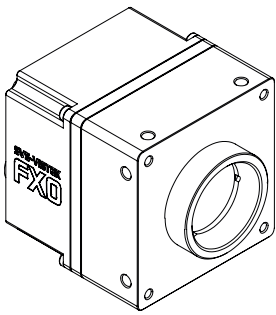


top view



bottom view





I/O pin assignment

Hirose 12 Pin



| | | | | | |
|---|-------|-------------------|----|--------|--------------|
| 1 | VIN - | (GND) | 7 | OUT 1 | (open drain) |
| 2 | VIN + | (10 V to 25 V DC) | 8 | OUT 2 | (open drain) |
| 3 | IN 4 | (RXD RS232) | 9 | IN 3 + | (opto In +) |
| 4 | OUT 4 | (TXD RS232) | 10 | IN 3 - | (opto In -) |
| 5 | IN 1 | (0-24V) | 11 | OUT 3 | (open drain) |
| 6 | IN 2 | (0-24V) | 12 | OUT 0 | (open drain) |