

Alvium FP3

Alvium FP3-320 VSWIR



Preliminary product information. Features and technical specifications are subject to change without notice.

Alvium FP3-320 VSWIR innovative FPD-Link III camera with Sony IMX993 SenSWIR InGaAs global shutter sensor provides industrial performance for cost effective embedded vision applications.

常规

型号:	Alvium FP3-320 VSWIR
产品系列:	Alvium FP3
状态:	Prototype/engineering sample

传感器

传感器类型:	Area scan
光谱:	SWIR, Visible SWIR
光谱范围:	400 nm to 1700 nm
分辨率:	2,080 × 1,544 (3.20 MP)
传感器型号:	Sony IMX993 InGaAs
传感器架构 (材料):	InGaAs
快门类型:	Global Shutter
传感器尺寸:	9 mm \varnothing (Type 1/1.8)
像素尺寸:	3.45 μm × 3.45 μm

像素格式

单色像素格式:	GREY, RAW10, RAW12, RAW8, Y10, Y12
---------	------------------------------------

时序与增益

最大帧率:	Mainly depends on hardware and register settings.
曝光时间:	33 μ s to 10 s
增益:	0.0 dB to 42.0 dB

I/O与电源

非电气隔离IO:	2 programmable GPIOs
I/O接口:	Coax, STP
电源供应:	5 VDC over MIPI CSI-2
功耗:	Value for the integrated serializer adds to CSI-2 model value.

工作条件

工作温度 (外壳):	-20 °C to 65 °C (housing)
------------	---------------------------

机械特性

机身尺寸 (L x W x H mm) :	41 × 29 × 29
镜头接口:	C-Mount, CS-Mount
重量:	70 g

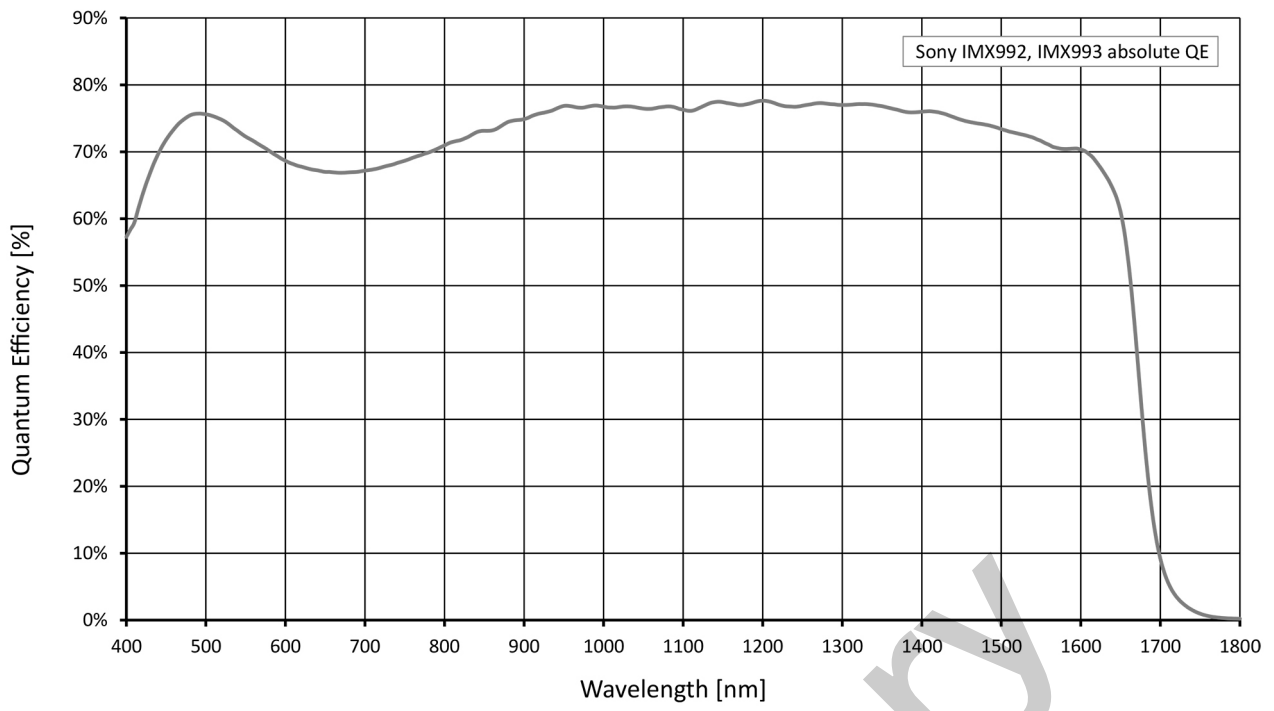
板载内存与FPGA

图像缓存 (RAM) :	256 KByte
非易失性存储器 (闪存) :	1024 KByte

接口

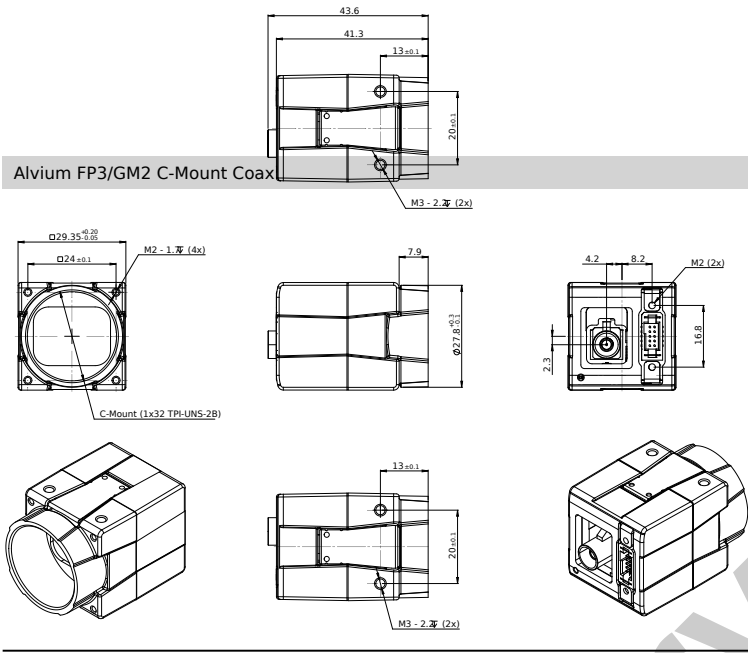
数字接口:	FPD-Link III, based on MIPI CSI-2, up to 4 lanes
-------	--

Quantum Efficiency



preliminary

Alvium FP3/GM2 C-Mount Coax



Alvium FP3/GM2 C-Mount STP

