

Prosilica GT

4907



- Versatile temperature range for extreme environments
- PTP
- PoE
- 7.5 fps @ 16 Megapixel

基本描述

16 Megapixel CCD camera for extreme environments - GigE Vision®

Prosilica GT4907 is a 16 Megapixel camera with a Gigabit Ethernet interface (GigE Vision®).

GT4907 incorporates a OnSemi KAI-16070 CCD sensor providing excellent monochrome and color image quality. GT4907 is a rugged camera designed to operate in extreme environments.

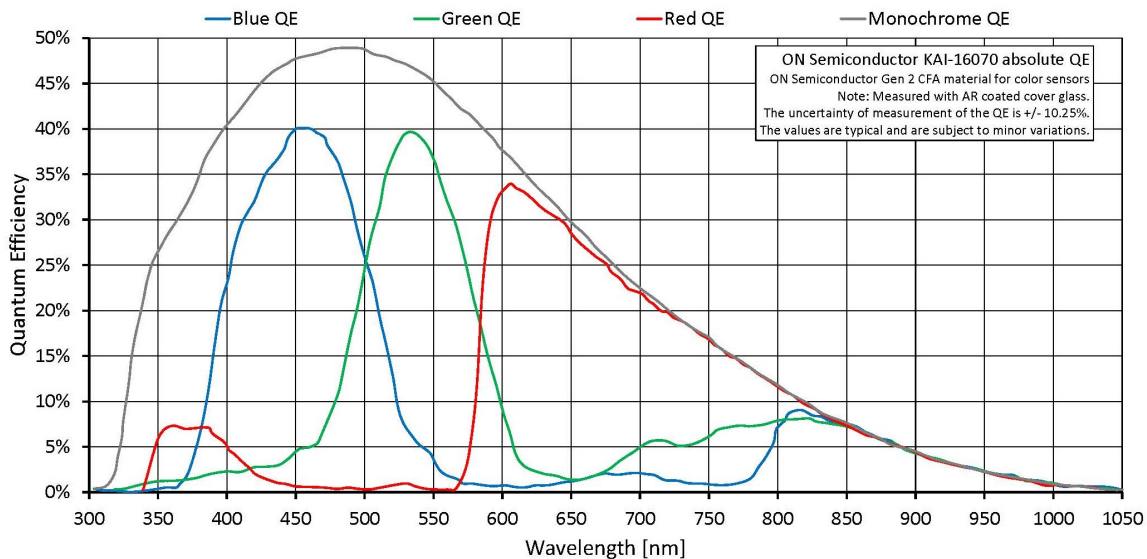
Options:

- Various IR cut/pass filters and lens mounts
- Class 1 sensor

性能参数

Prosilica GT	4907
接口	IEEE 802.3 1000BASE-T, IEEE 802.3af (PoE)
分辨率	4864 × 3232
传感器	ON Semi KAI-16070
传感器类型	CCD Progressive
像元尺寸	7.4 μm x 7.4 μm
镜头接口	F-Mount
分辨率下最高帧速	7.6 fps
ADC	14 bit
缓存 (RAM)	128 MByte
非易失性内存 (Flash)	1024 KByte (for selected models only)
	输出
Bit位数	14 (mono) - 12 (color) bit
黑白模式	Mono8, Mono12, Mono12Packed, Mono14
彩色模式 YUV	YUV411Packed, YUV422Packed, YUV444Packed

Prosilica GT	4907
彩色模式RGB	RGB8Packed, BGR8Packed, RGBA8Packed, BGRA8Packed
原始模式	BayerGR8, BayerGR12, BayerRG12Packed
	通用输入输出(GPIOs)
TTL I/Os	1 input, 2 outputs
光耦 I/Os	1 input, 2 outputs
RS-232	1
	工作条件/尺寸
工作温度	-20 °C to +50 °C ambient (without condensation)
电源要求 (DC)	7 to 25 VDC; PoE
功耗 (@12 V)	7.7 W @ 12 VDC; 9.5 W PoE
重量	372 g
尺寸(L × W × H in mm)	96 × 66 × 53.3 mm including connectors, w/o tripod and lens
符合规范	CE, RoHS, REACH, WEEE, FCC, ICES



特性

Image optimization features:

- Auto gain (manual gain control: 0 to 32 dB)
- Auto exposure (manual exposure control: 35 μ s to 26.8 s)
- Auto white balance (color models only)

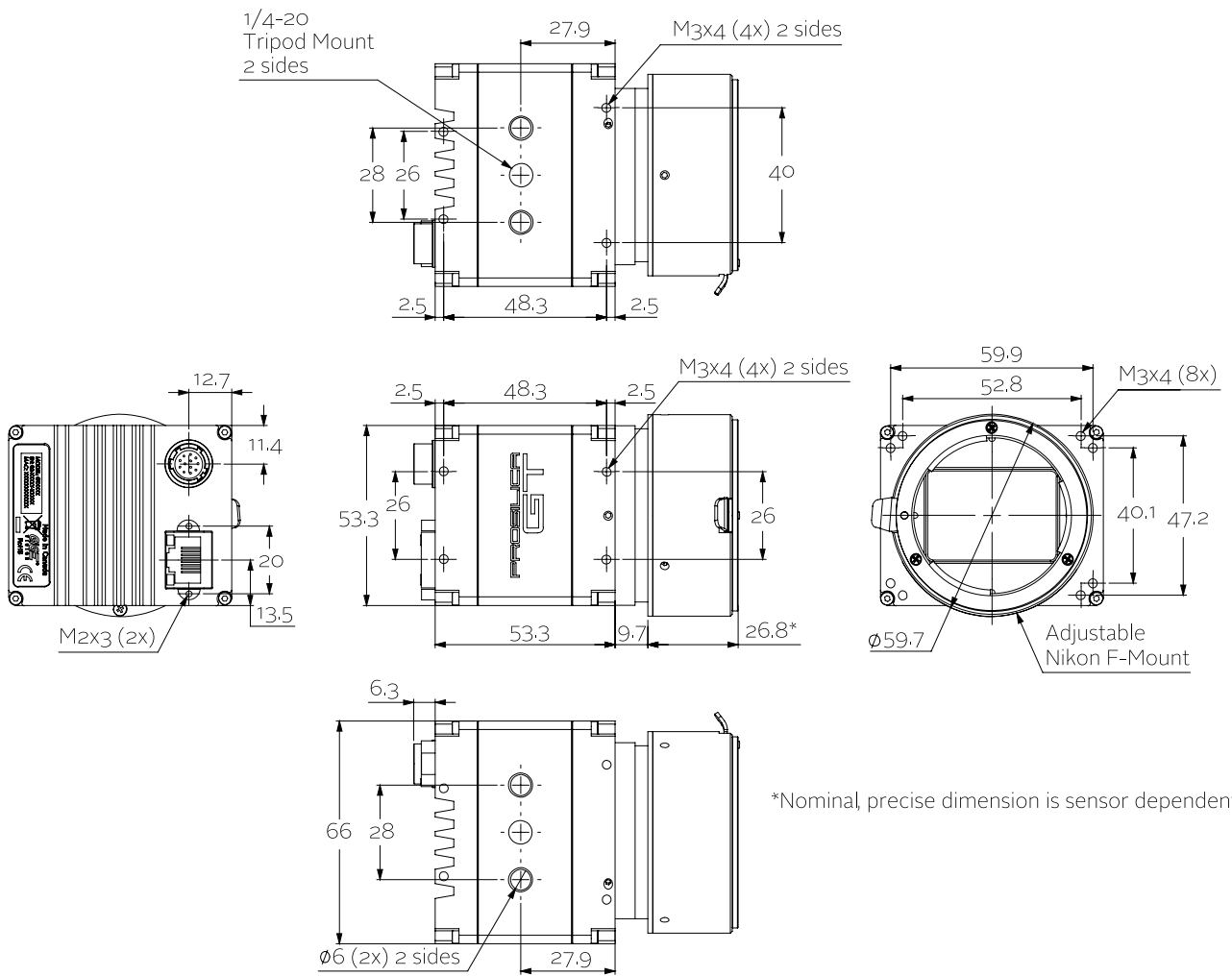


- Binning (horizontal and vertical)
- Color correction, hue, saturation (color models only)
- Column defect masking
- Decimation X/Y
- Gamma correction
- Look-up tables (LUTs)
- Region of interest (ROI), separate ROI for auto features
- Reverse X/Y

Camera control features:

- EF lens control (order option -18)
- Event channel
- Image chunk data
- IEEE 1588 Precision Time Protocol (PTP)
- RS232
- Storable user sets
- StreamBytesPerSecond (easy bandwidth control)
- StreamHold
- Sync out modes: Trigger ready, input, exposing, readout, imaging, strobe, GPO
- Tap mode switchable in Vimba Viewer 2.0 or later (four-tap, one-tap)
- Temperature monitoring (main board and sensor board)
- Trigger over Ethernet (ToE) Action Commands
- Non-volatile memory 1024 KByte (for selected models only)

外形尺寸





应用场景

Prosilica GT4907 is ideal for a wide range of applications including:

- Outdoor imaging
- Traffic imaging / ITS
- Public security and surveillance
- Industrial inspection
- Machine vision
- Military and space applications