

# Prosilica GT 1930L



- Versatile temperature range for extreme environments
- Latest Sony CMOS sensor
- PTP and PoE
- EF lens control

## 基本描述

2.4 Megapixel CMOS camera for extreme environments - GigE Vision

Prosilica GT1930L/GT1930LC is a 2.4 Megapixel camera with a GigE Vision Gigabit Ethernet interface. This camera incorporates the high quality Sony IMX174 Exmor CMOS sensor with Pregius global shutter technology providing excellent monochrome and color image quality. It is a rugged camera designed to operate in extreme environments. This camera ships with a planarity adjustable EF-Mount as standard.

Options:

- Various IR cut/pass filters and lens mounts

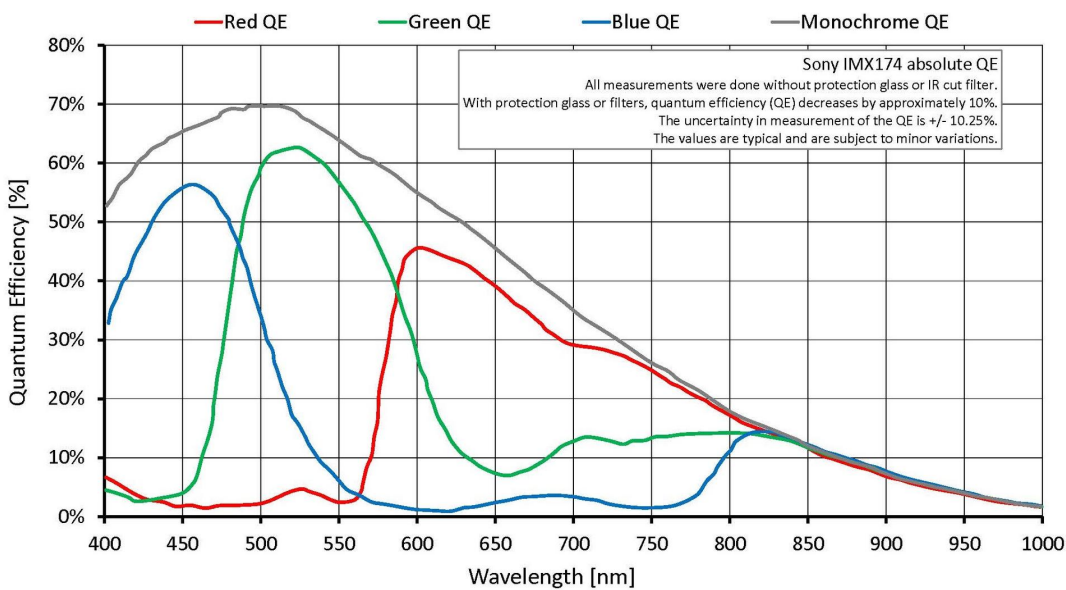
See the Modular Concept for lens mount and optical filter options.

## 性能参数

Prosilica GT	1930L
接口	IEEE 802.3 1000BASE-T, IEEE 802.3af (PoE)
分辨率	1936 (H) × 1216 (VB)
传感器	Sony IMX174
传感器类型	CMOS
像元尺寸	5.86 μm x 5.86 μm
镜头接口	EF-Mount
分辨率下最高帧速	50.7 fps
ADC	12 bit
缓存 (RAM)	128 MByte
非易失性内存 (Flash)	1024 KByte (for selected models only)

输出

Prosilica GT	1930L
Bit位数	12 bit
黑白模式	Mono8, Mono12Packed, Mono12
彩色模式 YUV	YUV411Packed, YUV422Packed, YUV444Packed
彩色模式RGB	RGB8Packed, BGR8Packed
原始模式	BayerRG8, BayerRG12
通用输入输出(GPIOs)	
TTL I/Os	1 input, 2 outputs
光耦 I/Os	1 input, 2 outputs
RS-232	1
工作条件/尺寸	
工作温度	-30 °C to +70 °C housing (without condensation)
电源要求 (DC)	7 to 25 VDC; PoE
功耗 (@12 V)	3.24 W @12 VDC; 3.88 W PoE
重量	372 g
尺寸(L × W × H in mm)	96 × 66 × 53.3 (including connectors)
符合规范	CE, RoHS, REACH, WEEE, FCC, ICES



## 特性

Image optimization features:

- Auto gain (manual gain control: 0 to 40 dB; 0.1 dB increments)

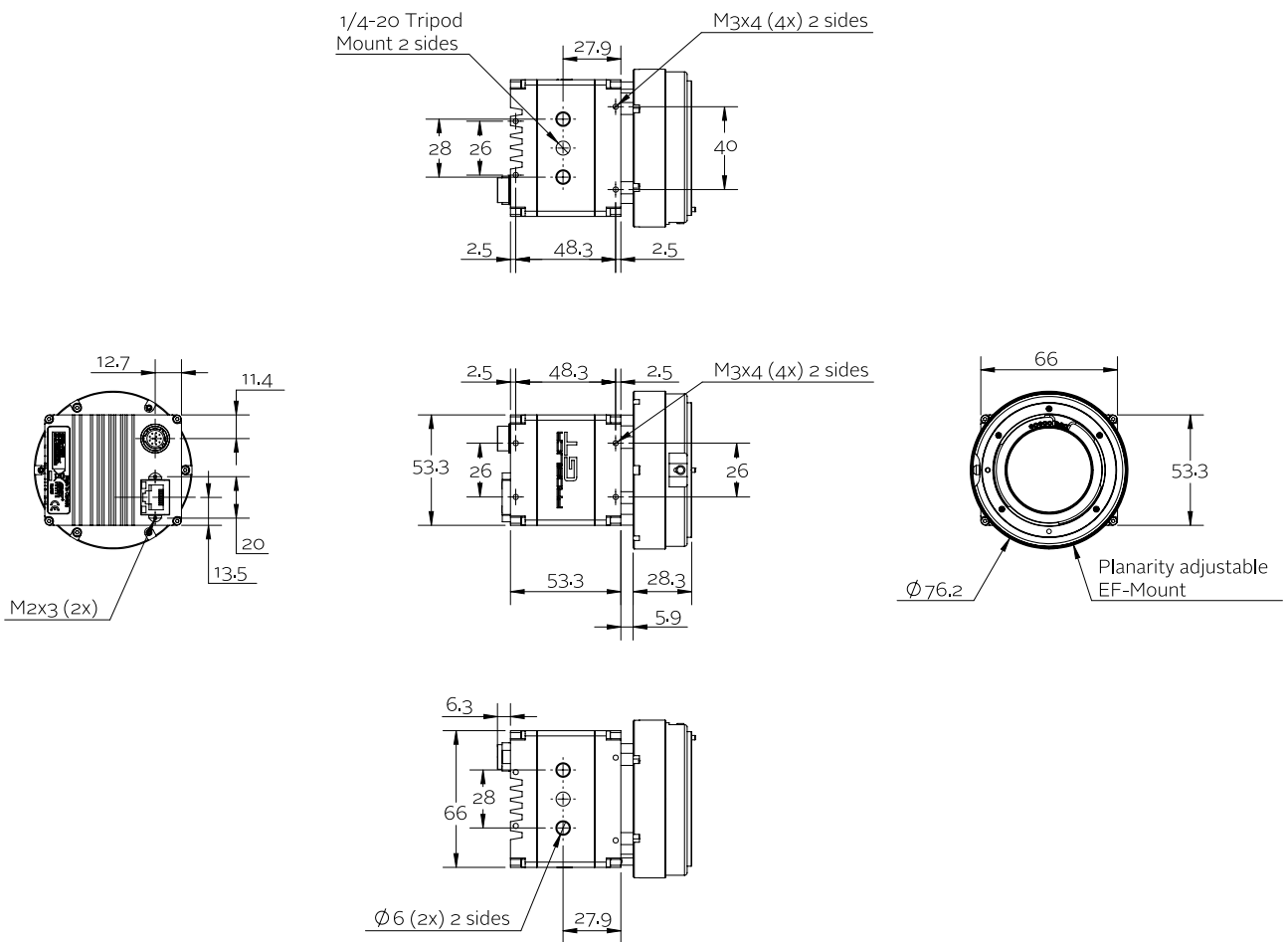


- Auto exposure (exposure time control varies by pixel format)
- Auto white balance (color models only)
- Binning (horizontal and vertical)
- BlackLevel (offset)
- Color correction, hue, saturation (color models only)
- Decimation X/Y
- Gamma correction
- Look-up tables (LUTs)
- Region of interest (ROI), separate ROI for auto features
- Reverse X/Y

Camera control features:

- EF lens control
- Event channel
- Image chunk data
- IEEE 1588 Precision Time Protocol (PTP)
- RS232
- Storable user sets
- StreamBytesPerSecond (easy bandwidth control)
- Stream hold
- Sync out modes: Trigger ready, input, exposing, readout, imaging, strobe, GPO
- Temperature monitoring (main board only)
- Trigger over Ethernet (ToE) Action Commands
- Non-volatile memory 1024 KByte (for selected models only)

## 外形尺寸





## 应用场景

Prosilica GT1930L is ideal for a wide range of applications including:

- Outdoor imaging
- Traffic imaging / ITS
- Public security and surveillance
- Industrial inspection
- Machine vision
- Military and space applications