

Manta G-507



- Latest Sony CMOS sensor
- PoE optional
- Angled head and board level variants
- Video-iris lens control

基本描述

GigE Vision camera featuring the Sony IMX264 sensor, global shutter
Manta G-507B/G-507C is an industrial camera with a 2/3" Sony IMX264 CMOS global shutter sensor. The camera is offered with several modular options (examples include PoE, board level and angled head variants, filter selections for improving the image quality, and OEM branding). By default monochrome Manta models ship with protection glass B 270 (ASG) and color models ship with IRC Hoya C-5000 IR cut filter.

Options

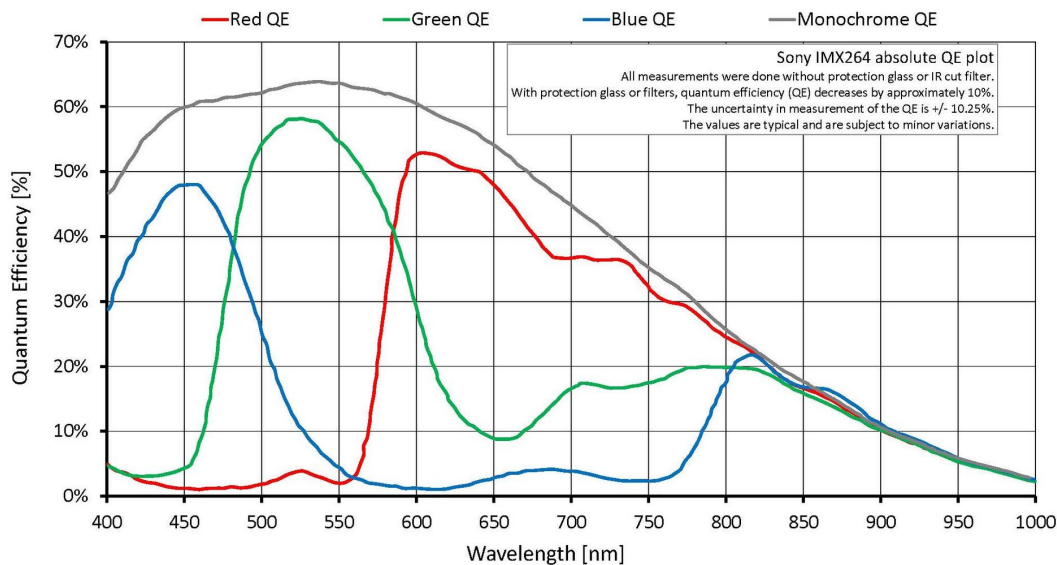
- Power over Ethernet (PoE)
- Various IR cut/pass filters and lens mounts
- Angled head, board level version, white medical housing

性能参数

Manta	G-507
接口	IEEE 802.3 1000BASE-T, IEEE 802.3af (PoE) optional
分辨率	2464 (H) × 2056 (V)
传感器	Sony IMX264
传感器类型	CMOS
像元尺寸	3.45 μm x 3.45 μm
镜头接口	C-Mount
分辨率下最高帧速	23.7 fps
ADC	12 bit
缓存 (RAM)	128 MByte
非易失性内存 (Flash)	1024 KByte (for selected models only)

输出

Manta	G-507
Bit位数	8-12 bit
黑白模式	Mono8, Mono12Packed, Mono12
彩色模式 YUV	YUV411Packed, YUV422Packed, YUV444Packed
彩色模式RGB	RGB8Packed, BGR8Packed
原始模式	BayerRG8, BayerRG12, BayerRG12Packed
通用输入输出(GPIOs)	
光耦 I/Os	2 inputs, 2 outputs
RS-232	1
工作条件/尺寸	
工作温度	+5 °C to +45 °C ambient (without condensation)
电源要求 (DC)	8 to 30 VDC; PoE
功耗 (@12 V)	2.8 W @ 12 VDC; 3.0 W PoE
重量	190 g; 200 g (PoE)
尺寸(L × W × H in mm)	86.4 × 44 × 29 (including connectors)
符合规范	CE, RoHS, REACH, WEEE, FCC, ICES



特性

Image optimization features:

- Auto gain (manual gain control: 0 to 40 dB; 1 dB increments)
- Auto exposure (exposure time control varies by per pixel format)

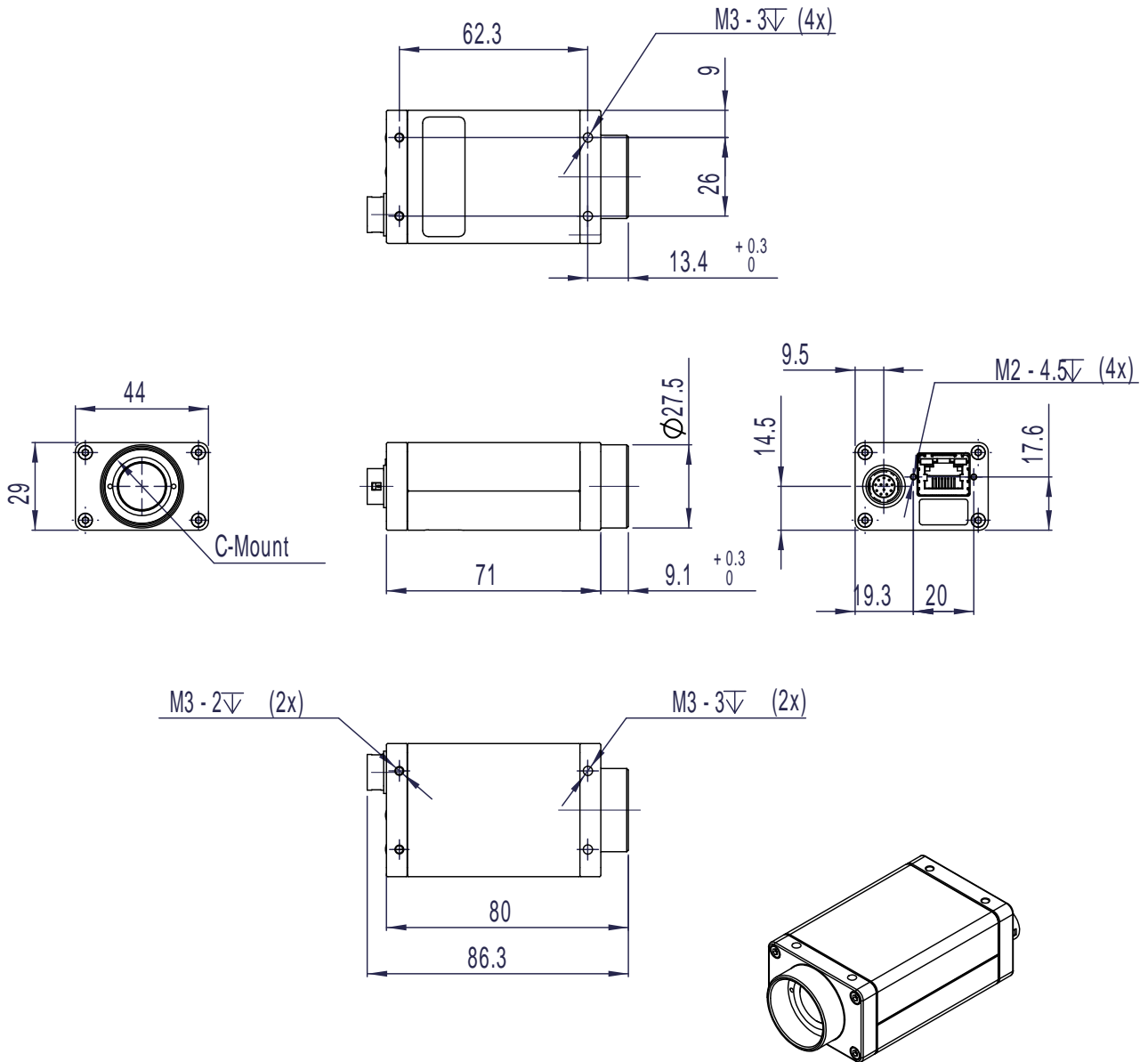


- Auto white balance (color models only)
- Binning
- Black level (offset)
- Color correction, hue, saturation (color models only)
- Decimation
- Gamma correction
- Look-up tables (LUTs) (3)
- Region of interest (ROI), separate ROI for auto features
- Reverse X/Y

Camera control features:

- Auto-iris (video type)
- Event channel
- Image chunk data
- IEEE 1588 Precision Time Protocol
- Storable user sets
- StreamBytesPerSecond (easy bandwidth control)
- StreamHold
- Sync out modes: Trigger ready, input, exposing, readout, imaging, strobe, GPO
- Tap mode switchable in Vimba Viewer 2.0 or later (two-tap, one-tap)
- Temperature monitoring (main board)
- Trigger over Ethernet (ToE) Action Commands
- Non-volatile memory 1024 KByte (for selected models only)

外形尺寸





应用场景

Manta G-507B/G-507C is a robust, flexible industrial camera with the sensitive Sony IMX264 sensor.

Typical applications:

- Machine Vision
- Broadcast analysis requiring Full HD such as sports analytics
- Industrial inspection
- Security and surveillance
- ITS / traffic (traffic monitoring, speed enforcement, toll collection)
- Low light / high sensitivity conditions
- Outdoor applications with dynamic lighting situations