

Manta G-283



- Versatile 2.8 Megapixel camera
- 35 fps @ 1920 × 1080
- PoE optional
- Video-iris lens control

基本描述

GigE camera with Sony ICX674

Manta G-283B/C includes an 2/3" Sony ICX674 sensor with EXview HAD II technology. Sony ICX674 sensor is distinguished by reduced smear, higher quantum efficiency, and enhanced NIR sensitivity. At HD resolution (1920 x 1080), it runs 35 fps. By default monochrome Manta models ship with protection glass B 270 (ASG) and color models ship with IRC Hoya C-5000 IR cut filter.

Options

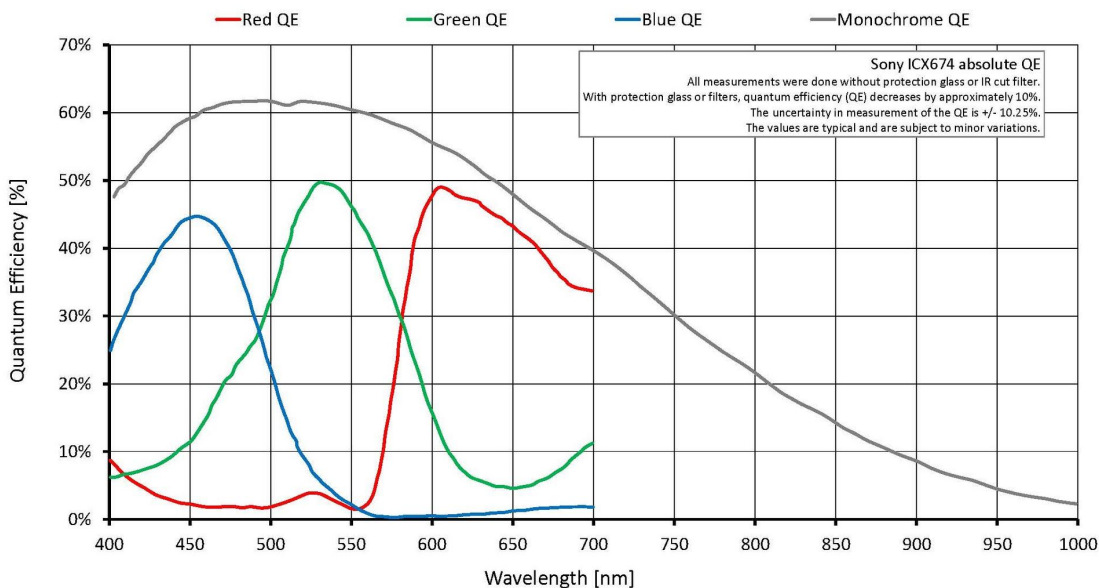
- PoE (Power over Ethernet)
- Various IR cut/pass filters and lens mounts
- White medical housing

性能参数

Manta	G-283
接口	IEEE 802.3 1000BASE-T, IEEE 802.3af (PoE) optional
分辨率	1936 × 1458
传感器	Sony ICX674
传感器类型	CCD Progressive
像元尺寸	4.54 μm x 4.54 μm
镜头接口	C-Mount
分辨率下最高帧速	30.4 fps
ADC	12 bit
缓存 (RAM)	128 MByte
非易失性内存 (Flash)	1024 KByte (for selected models only)

输出

Manta	G-283
Bit位数	8/14-8/12 bit
黑白模式	Mono8, Mono12Packed, Mono12
彩色模式 YUV	YUV411Packed, YUV422Packed, YUV444Packed
彩色模式RGB	RGB8Packed, BGR8Packed
原始模式	BayerRG8, BayerRG12, BayerRG12Packed
通用输入输出(GPIOs)	
光耦 I/Os	2 inputs, 2 outputs
RS-232	1
工作条件/尺寸	
工作温度	+5 °C to +45 °C ambient (without condensation)
电源要求 (DC)	8 to 30 VDC; PoE
功耗 (@12 V)	3.7 W @ 12 VDC; 4.3 W PoE
重量	190 g; 200 g (PoE)
尺寸(L × W × H in mm)	86.4 × 44 × 29 mm incl. connectors
符合规范	CE, RoHS, REACH, WEEE, FCC, ICES



特性

Image optimization features:

- Auto gain (manual gain control: 0 to 33 dB; 1 dB increments)
- Auto exposure (41 μ s to 38 s; 1 μ s increments)

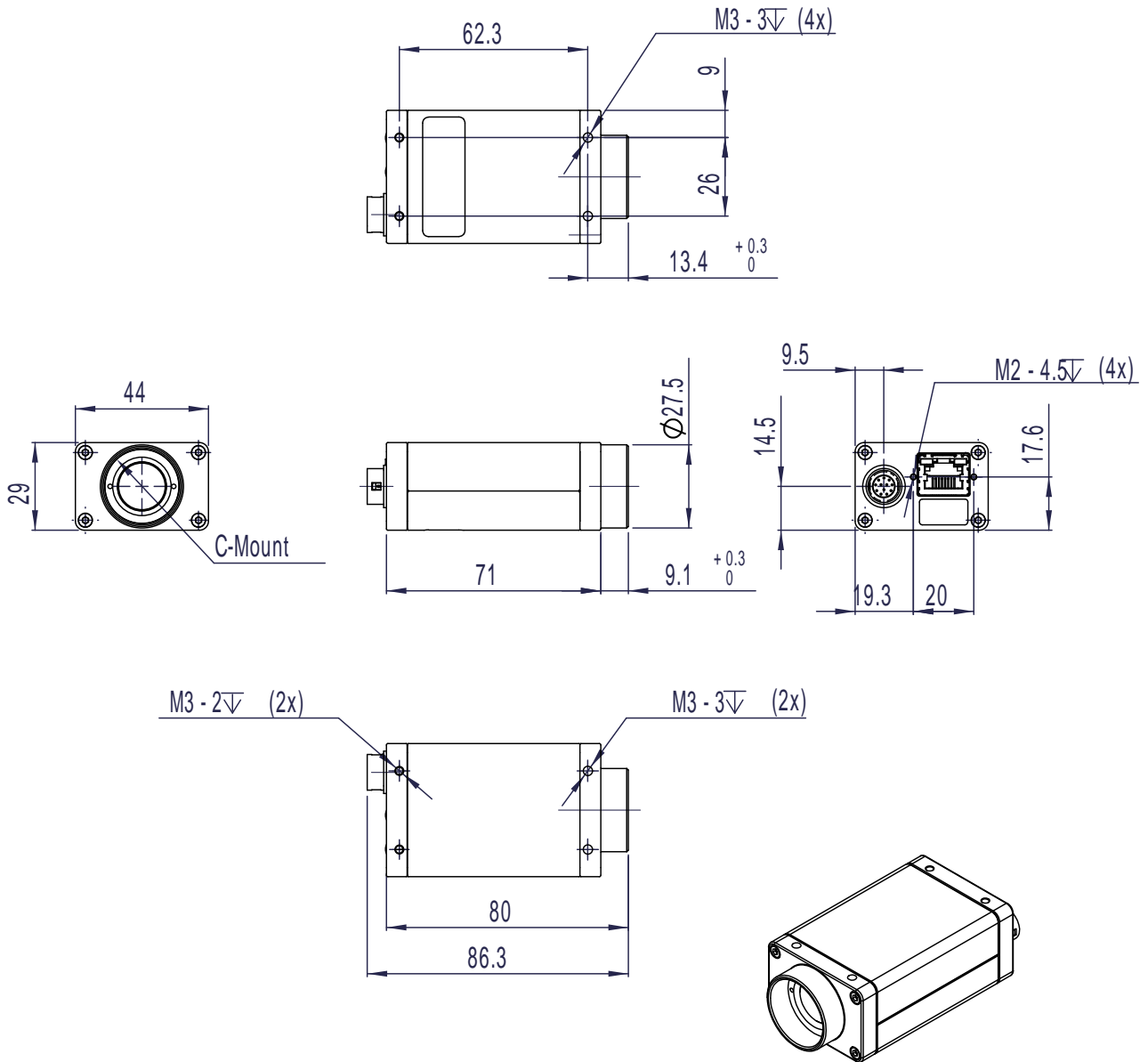


- Auto white balance (color models only)
- Binning
- Black level (offset)
- Color correction, hue, saturation (color models only)
- Decimation
- Gamma correction
- Look-up tables (LUTs) (3)
- Region of interest (ROI), separate ROI for auto features

Camera control features:

- Auto-iris (video type)
- Event channel
- Image chunk data
- IEEE 1588 Precision Time Protocol (PTP)
- Storable user sets
- StreamBytesPerSecond (easy bandwidth control)
- Stream hold
- Sync out modes: Trigger ready, input, exposing, readout, imaging, strobe, GPO
- Tap mode switchable in Vimba Viewer 2.0 or later (two-tap, one-tap)
- Temperature monitoring (main board)
- Trigger over Ethernet (ToE) Action Commands
- Non-volatile memory 1024 KByte (for selected models only)

外形尺寸





应用场景

Manta G-283 with its ICX674 sensor has an excellent image quality even under challenging light conditions.

Typical applications:

- Metrology and inspection systems
- Scientific measurement
- Microscopy
- Forensic solutions
- ITS traffic solutions
- Applications requiring a highly sensitive camera (low light conditions)
- Applications requiring good sensitivity in the NIR spectrum