

Manta

G-282



- Versatile 2.8 Megapixel camera
- 35 fps @ 1920 × 1080
- PoE optional
- Video-iris lens control

基本描述

GigE camera with Sony ICX687

Manta G-282B/G-282C includes an 1/1.8" Sony ICX687 sensor with EXview HAD II technology. This sensor has the same resolution as the ICX674 at a more cost-effective price level. At HD resolution (1920 x 1080), it runs 35 fps. By default monochrome Manta models ship with protection glass B 270 (ASG) and color models ship with IRC Hoya C-5000 IR cut filter.
Options:

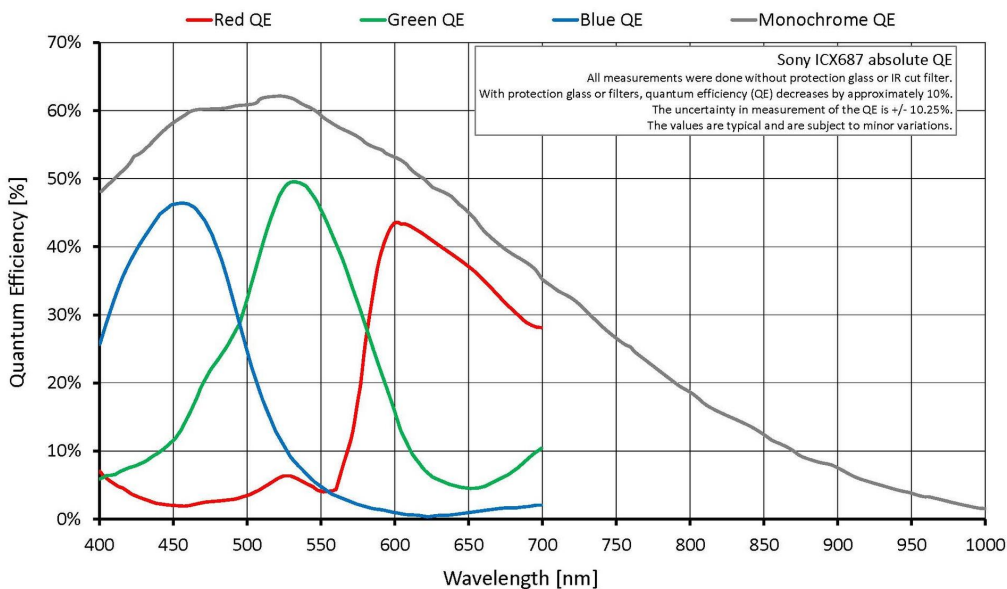
- Power over Ethernet (PoE)
- Various IR cut/pass filters and lens mounts
- White medical housing

性能参数

Manta	G-282
接口	IEEE 802.3 1000BASE-T, IEEE 802.3af (PoE) optional
分辨率	1936 (H) × 1458 (V)
传感器	Sony ICX687
传感器类型	CCD Progressive
像元尺寸	3.69 μm x 3.69 μm
镜头接口	C-Mount
分辨率下最高帧速	30.4 fps
ADC	12 bit
缓存 (RAM)	128 MByte
非易失性内存 (Flash)	1024 KByte (for selected models only)

输出

Manta	G-282
Bit位数	8-12 bit
黑白模式	Mono8, Mono12Packed, Mono12
彩色模式 YUV	YUV411Packed, YUV422Packed, YUV444Packed
彩色模式RGB	RGB8Packed, BGR8Packed
原始模式	BayerRG8, BayerRG12Packed, BayerRG12
通用输入输出(GPIOs)	
光耦 I/Os	2 inputs, 2 outputs
RS-232	1
工作条件/尺寸	
工作温度	+5 °C to +45 °C ambient (without condensation)
电源要求 (DC)	8 to 30 VDC; PoE
功耗 (@12 V)	3.5 W @ 12 VDC; 4.1 W PoE
重量	190 g; 200 g (PoE)
尺寸(L × W × H in mm)	86.4 × 44 × 29 (incl. connectors)
符合规范	CE, RoHS, REACH, WEEE, FCC, ICES



特性

Image optimization features:

- Auto gain (manual gain control: 0 to 32 dB; 1 dB increments)
- Auto exposure (41 μ s to 38 s; 1 μ s increments)

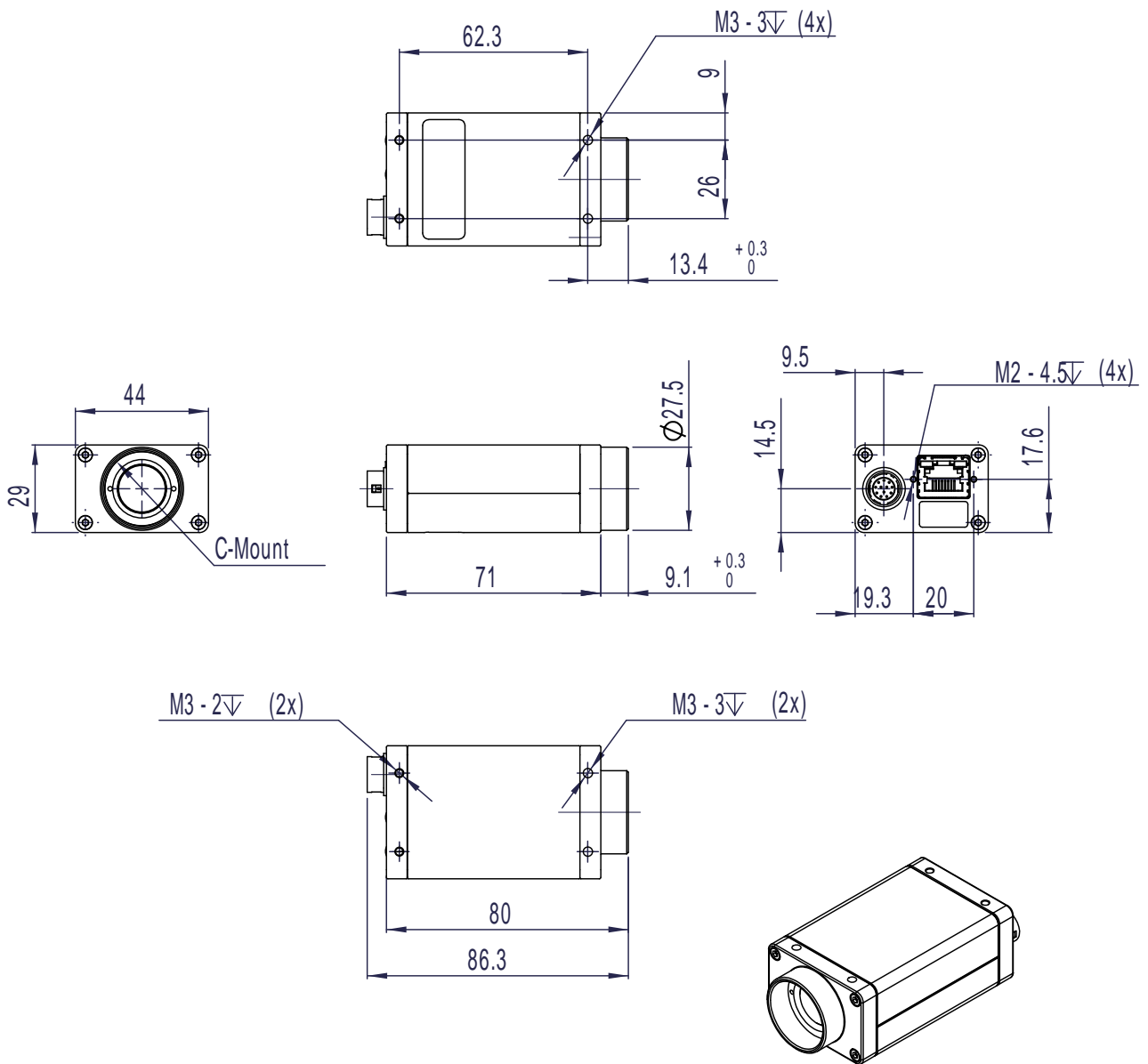


- Auto white balance (color models only)
- Binning
- Black level (offset)
- Color correction, hue, saturation (color models only)
- Decimation
- Gamma correction
- Look-up tables (LUTs) (3)
- Region of interest (ROI), separate ROI for auto features

Camera control features:

- Auto-iris (video type)
- Event channel
- Image chunk data
- IEEE 1588 Precision Time Protocol
- Storable user sets
- StreamBytesPerSecond (easy bandwidth control)
- Stream hold
- Sync out modes: Trigger ready, input, exposing, readout, imaging, strobe, GPO
- Tap mode switchable in Vimba Viewer 2.0 or later (two-tap, one-tap)
- Temperature monitoring (main board)
- Trigger over Ethernet (ToE) Action Commands
- Non-volatile memory 1024 KByte (for selected models only)

外形尺寸





应用场景

Manta G-282B/G-282C is suitable for a wide range of applications including:

- Multimedia and entertainment
- Machine vision
- Security and surveillance
- Metrology and inspection systems
- Industrial image processing