

## Mako G G-419B NIR



- Ultra-compact design
- Affordable
- Power over Ethernet
- CMOSIS CMV4000 NIR enhanced sensor

### 基本描述

GigE camera with CMOSIS CMV4000 sensor, NIR optimized, global shutter

Mako G-419B NIR is an industrial GigE camera with the CMOSIS CMV4000 CMOS NIR enhanced sensor. Mako G cameras have an ultra-compact form factor and the same mounting positions as many analog cameras. All models include Power over Ethernet (PoE), three opto-isolated outputs, and a 64 MByte image buffer. The image quality profits from the precisely aligned sensor. By default monochrome Mako models ship with no optical filter and color models ship with IRC Hoya C-5000 IR cut filter.



Options:

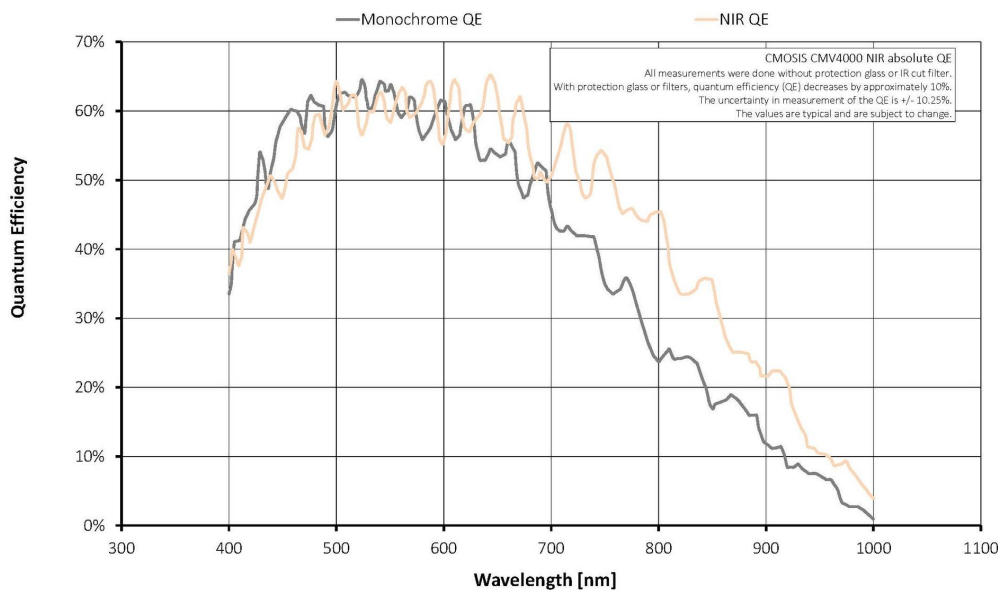
- Various optical filters and lens mount options
- White medical housing

See the Modular Concept for lens mount, optical filter, and case design options.

### 性能参数

Mako G	G-419B NIR
接口	IEEE 802.3 1000BASE-T, IEEE 802.3af (PoE)
分辨率	2048 (H) × 2048 (V)
传感器	CMOSIS CMV4000 NIR
传感器类型	CMOS
像元尺寸	5.5 μm x 5.5 μm
镜头接口	C-Mount

Mako G	G-419B NIR
分辨率下最高帧速	26.3 fps
ADC	12 bit
缓存 (RAM)	64 MByte
非易失性内存 (Flash)	1024 KByte (for selected models only)
输出	
Bit位数	8/12 bit
黑白模式	Mono8, Mono12, Mono12Packed
通用输入输出(GPIOs)	
光耦 I/Os	1 input, 3 outputs
工作条件/尺寸	
工作温度	+5 °C to +45 °C housing temperature
电源要求 (DC)	12 to 24 VDC; PoE
功耗 (@12 V)	2.3 W @ 12 VDC; 2.7 W PoE
重量	80 g
尺寸(L × W × H in mm)	60.5 × 29 × 29 (including connectors)
符合规范	CE, RoHS, REACH, WEEE, FCC, ICES



## 特性

Image optimization features:

- Auto gain (manual gain control: 0 to 26 dB; 1 dB increments)

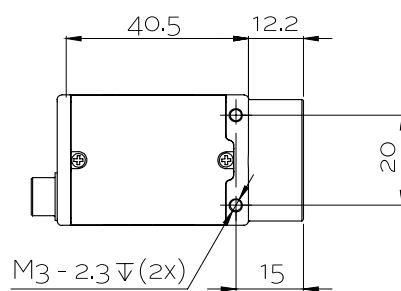
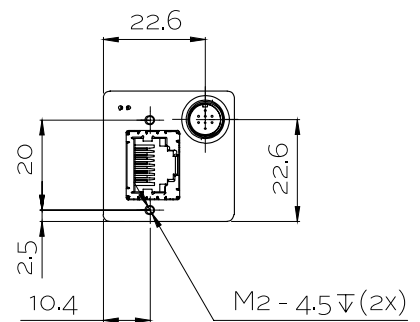
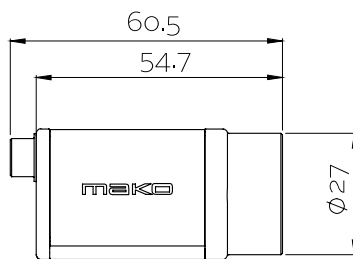
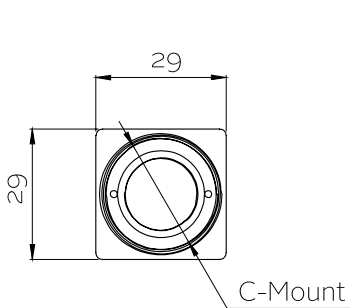
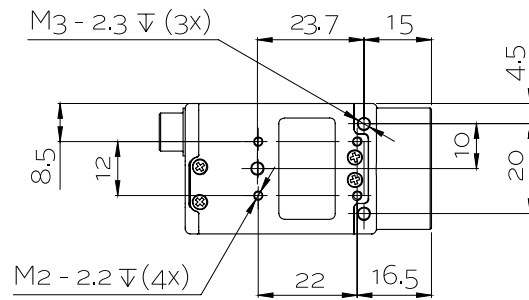


- Auto exposure (manual exposure control: 41  $\mu$ s to 153 s; 1  $\mu$ s increments)
- Column defect masking
- Gamma correction
- Look-up table (LUT) (1)
- Piecewise Linear HDR mode
- Region of interest (ROI), separate ROI for auto features

Camera control features:

- Event channel
- Image chunk data
- Storable user sets
- StreamBytesPerSecond (easy bandwidth control)
- Stream hold
- Sync out modes: Trigger ready, input, exposing, readout, imaging, strobe, GPO
- Temperature monitoring (main board only)
- Non-volatile memory 1024 KByte (for selected models only)

## 外形尺寸





## 应用场景

Mako G-419B NIR is suitable for a wide range of applications including:

- Robotics
- Quality control
- Inspection, surveillance
- Industrial imaging
- Machine vision
- Logistics