

Mako G

G-234



- Latest Sony CMOS sensor
- Ultra-compact (60.5 × 29 × 29 mm)
- Affordable
- PoE

基本描述

GigE Vision camera with Sony IMX249 sensor, global shutter; 40 frames per second

Mako G-234B/G-234C is an industrial GigE camera with Sony's IMX249 CMOS sensor. Mako G cameras have the same ultra-compact form factor and the same mounting positions as many analog cameras. All models include Power over Ethernet (PoE), three opto-isolated outputs, and a 64 MByte image buffer. The image quality profits from the precisely aligned sensor. By default monochrome Mako models ship with no optical filter and color models ship with IRC Hoya C-5000 IR cut filter.



Options:

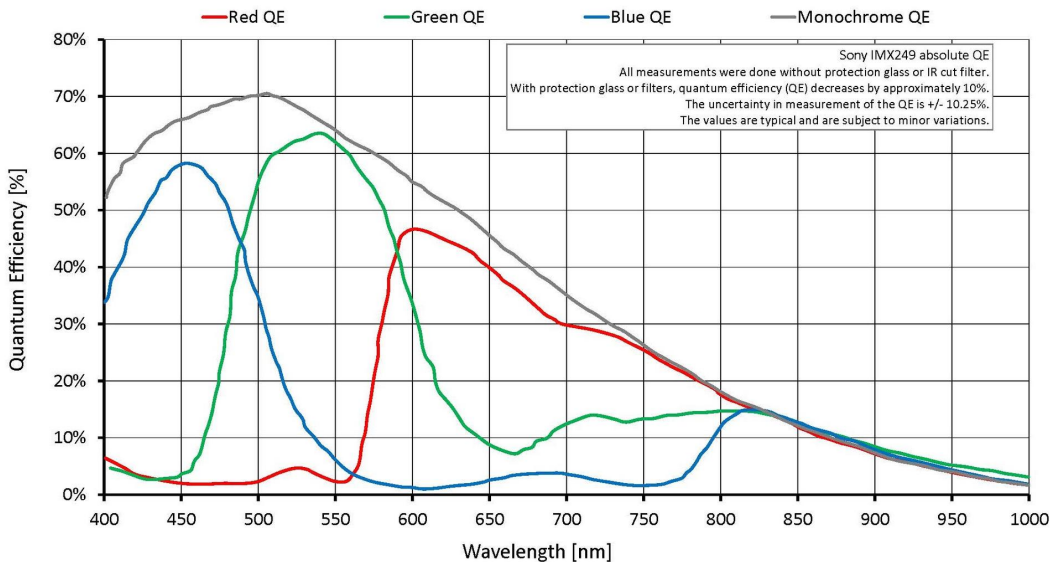
- Various optical filter and lens mount options
- White medical housing

See the [Modular Concept](#) for lens mount, optical filter, and case design options.

性能参数

Mako G	G-234
接口	IEEE 802.3 1000BASE-T, IEEE 802.3af (PoE)
分辨率	1936 (H) × 1216 (V)
传感器	Sony IMX249
传感器类型	CMOS
像元尺寸	5.86 μm x 5.86 μm
镜头接口	C-Mount

Mako G	G-234
分辨率下最高帧速	40 fps
ADC	12 bit
缓存 (RAM)	64 MByte
非易失性内存 (Flash)	1024 KByte (for selected models only)
输出	
Bit位数	10/12 bit
黑白模式	Mono8, Mono12, Mono12Packed
彩色模式 YUV	YUV411Packed, YUV422Packed, YUV444Packed
彩色模式RGB	RGB8Packed, BGR8Packed
原始模式	BayerRG8, BayerRG12, BayerRG12Packed
通用输入输出口(GPIOs)	
光耦 I/Os	1 input, 3 outputs
工作条件/尺寸	
工作温度	+5 °C to +45 °C housing temperature
电源要求 (DC)	12 to 24 VDC; PoE
功耗 (@12 V)	2.4 W @ 12 VDC; 2.8 W PoE
重量	80 g
尺寸(L × W × H in mm)	60.5 × 29 × 29 (including connectors)
符合规范	CE, RoHS, REACH, WEEE, FCC, ICES





特性

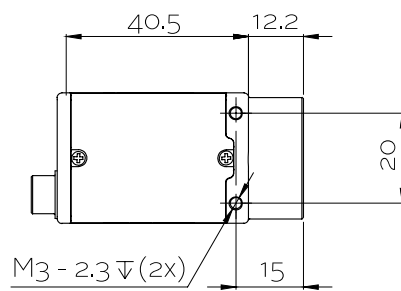
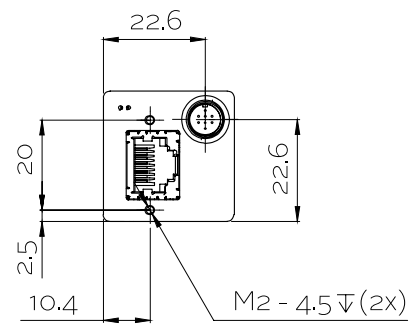
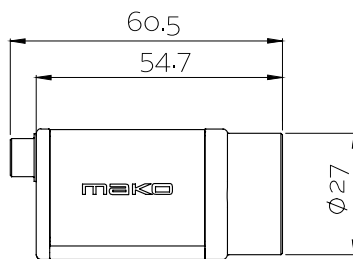
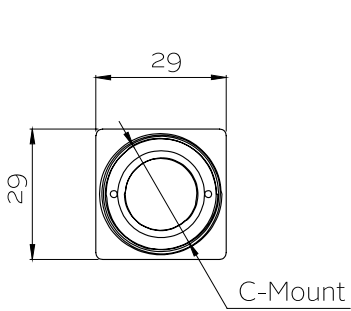
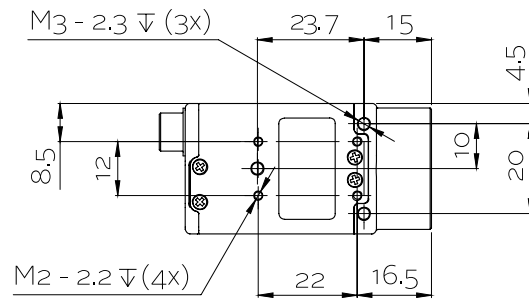
Image optimization features:

- Auto gain (manual gain control: 0 to 40 dB; 0.1 dB increments)
- Auto exposure (exposure time control varies by pixel format)
- Auto white balance (color models only)
- Binning
- Color correction, hue, saturation (color models only)
- Decimation
- Gamma correction
- Look-up table (LUT) (1)
- Region of interest (ROI), separate ROI for auto features
- Reverse X/Y

Camera control features:

- 10-bit/12-bit sensor readout mode
- Event channel
- Image chunk data
- Storable user sets
- StreamBytesPerSecond (easy bandwidth control)
- Stream hold
- Sync out modes: Trigger ready, input, exposing, readout, imaging, strobe, GPO
- Temperature monitoring (main board only)
- Non-volatile memory 1024 KByte (for selected models only)

外形尺寸





应用场景

Mako G-234B/G-234C is ideal for a wide range of applications including:

- Robotics
- Quality control
- Inspection, surveillance
- Industrial imaging
- Machine vision
- Logistics