

# Mako G

## G-032



- Ultra-compact design
- Affordable
- Power over Ethernet
- High frame rate

## 基本描述

GigE camera with Sony ICX424 CCD sensor

Mako G-032B/G-032C is an industrial GigE camera with Sony's ICX424 sensor. Mako G cameras have the same ultra-compact form factor and the same mounting positions as many analog cameras. All models include Power over Ethernet, three opto-isolated outputs, and a 64 MByte image buffer. The image quality profits from the precisely aligned sensor. By default monochrome Mako models ship with no optical filter and color models ship with IRC Hoya C-5000 IR cut filter.

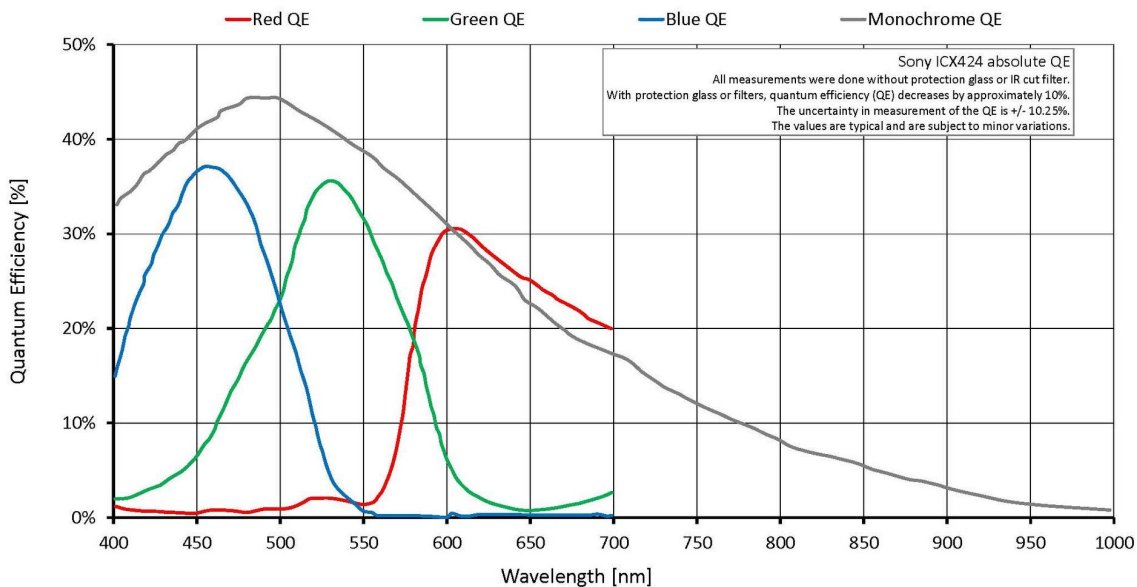
Options:

- Various optical filter and lens mount options
- White medical housing

## 性能参数

Mako G	G-032
接口	IEEE 802.3 1000BASE-T, IEEE 802.3af (PoE)
分辨率	658 (H) × 492 (V)
传感器	Sony ICX424
传感器类型	CCD Progressive
像元尺寸	7.4 μm x 7.4 μm
镜头接口	C-Mount
分辨率下最高帧速	102.3 fps
ADC	14 bit
缓存 (RAM)	64 MByte
非易失性内存 (Flash)	1024 KByte (for selected models only)

Mako G	G-032
	输出
Bit位数	8/12 bit
黑白模式	Mono8, Mono12, Mono12Packed
彩色模式 YUV	YUV411Packed, YUV422Packed, YUV444Packed
彩色模式RGB	RGB8Packed, BGR8Packed
原始模式	BayerRG8, BayerRG12, BayerRG12Packed
	通用输入输出(GPIOs)
光耦 I/Os	1 input, 3 outputs
	工作条件/尺寸
工作温度	+5 °C to +45 °C housing temperature
电源要求 (DC)	12 to 24 VDC; PoE
功耗 (@12 V)	2.4 W @ 12VDC; 2.8 W PoE
重量	80 g
尺寸(L × W × H in mm)	60.5 × 29 × 29 (incl. connectors)
符合规范	CE, RoHS, REACH, WEEE, FCC, ICES



## 特性

Image optimization features:

- Auto gain (manual gain control: 0 to 30 dB; 1 dB increments)
- Auto exposure (manual exposure control: 10  $\mu$ s to 93 s; 1  $\mu$ s increments)
- Auto white balance (color models only)

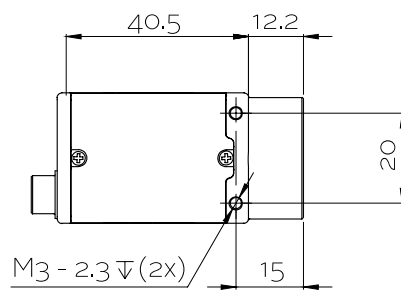
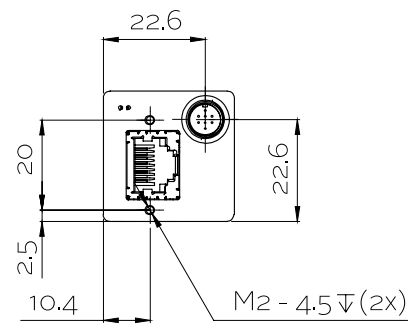
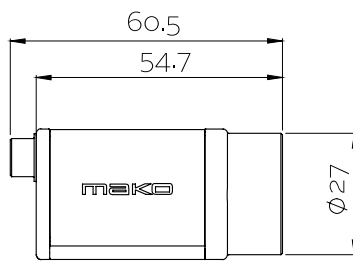
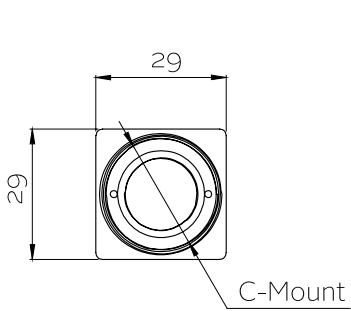
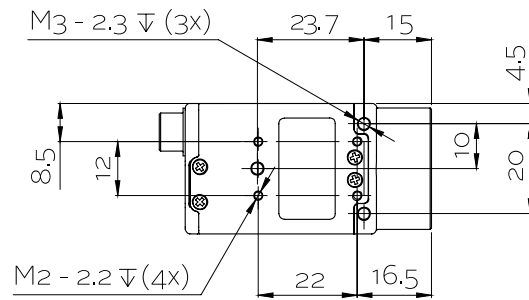


- Binning
- Color correction, hue, saturation (color models only)
- Gamma correction
- Look-up table (LUT) (1)
- Region of interest (ROI), separate ROI for auto features

Camera control features:

- Event channel
- Image chunk data
- Storable user sets
- StreamBytesPerSecond (easy bandwidth control)
- Stream hold
- Sync out modes: Trigger ready, input, exposing, readout, imaging, strobe, GPO
- Temperature monitoring (main board only)
- Non-volatile memory 1024 KByte (for selected models only)

## 外形尺寸





## 应用场景

Mako G is an inexpensive industrial GigE camera with a compact form factor. It is suitable for all typical machine vision applications:

- Robotics
- Quality control
- Inspection, surveillance
- Industrial imaging
- Machine vision
- Logistics