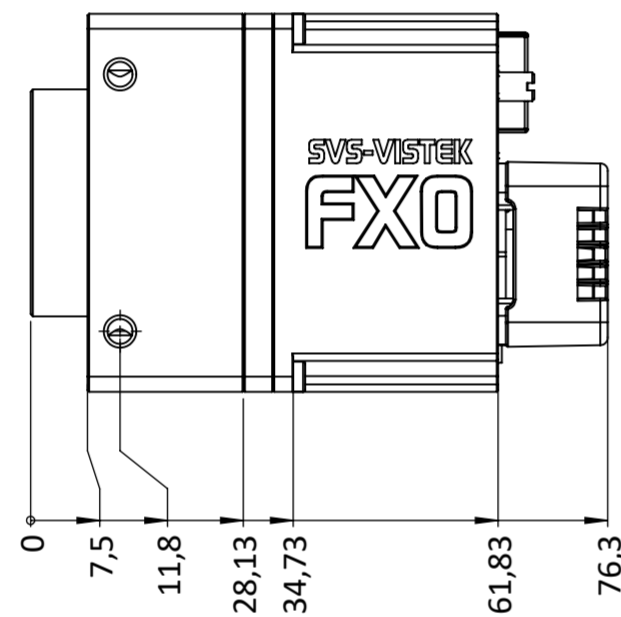
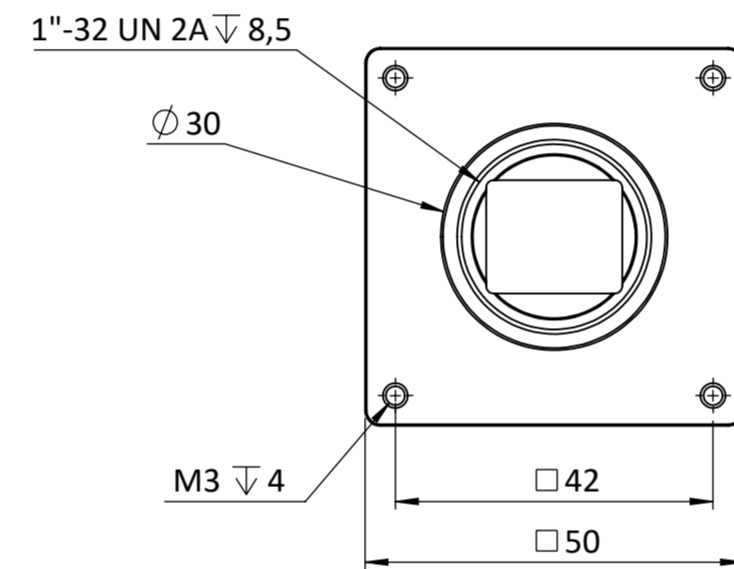


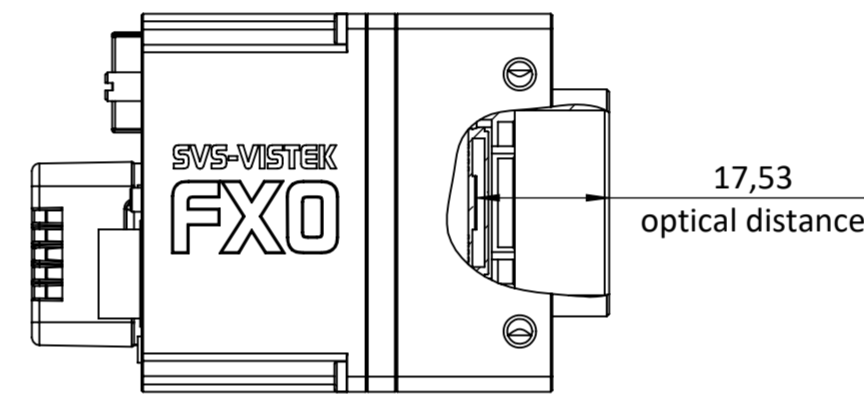
right view



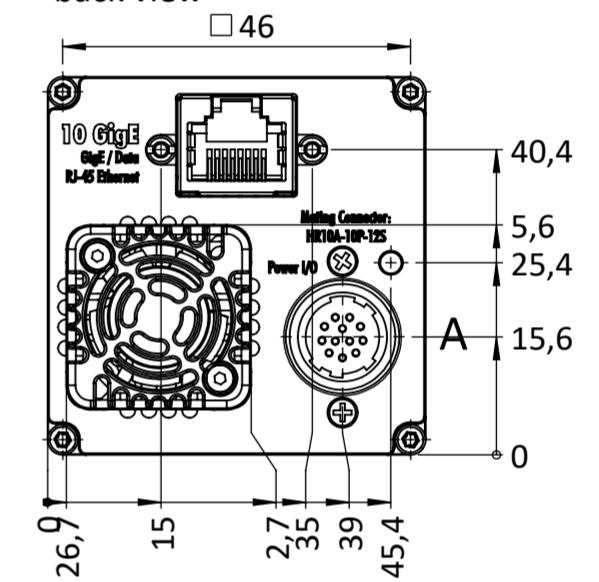
front view



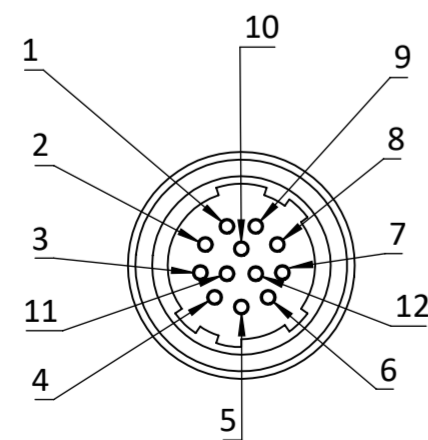
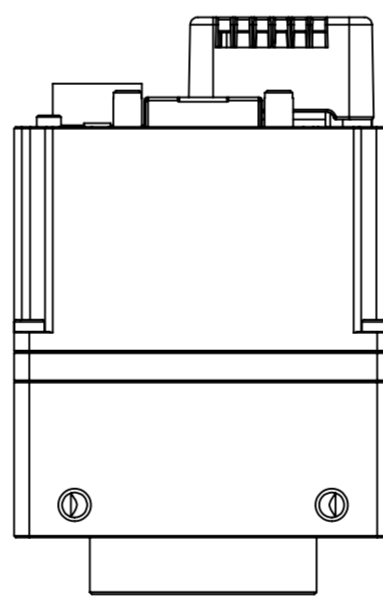
left view



back view



top view



DETAIL A  
MAßSTAB 2 : 1

Hirose Pinout	
EXO, FXO, HR (CL Deca, CXP), SHR	
Pin	Signal EXO, HR (CL Deca, CXP), SHR
1	V IN- (GND)
2	V IN+ (10 - 25V)
3	IN 4 RxD (RS232)
4	OUT 4 TxD (RS232)
5	IN 1 (0 - 24V)
6	IN 2 (0 - 24V)
7	OUT 1 (open drain)
8	OUT 2 (open drain)
9	IN 3+ (opto IN+)
10	IN 3- (opto IN-)
11	OUT 3 (open drain)
12	OUT 0 (open drain)
	Shielding

  High-Speed Vision Solutions	all dimensions in mm unless otherwise specified	Scale: 1:1 Rev.: 1
	Customer Interface Drawing	
Title: FXO992MXGE; FXO993MXGE		Material No.:
Drawn: LoRe Checked: ---	Name: --- Sign: --- Date: 03.24	Material: Weight:
		A2 Blatt/Sheet 1/1