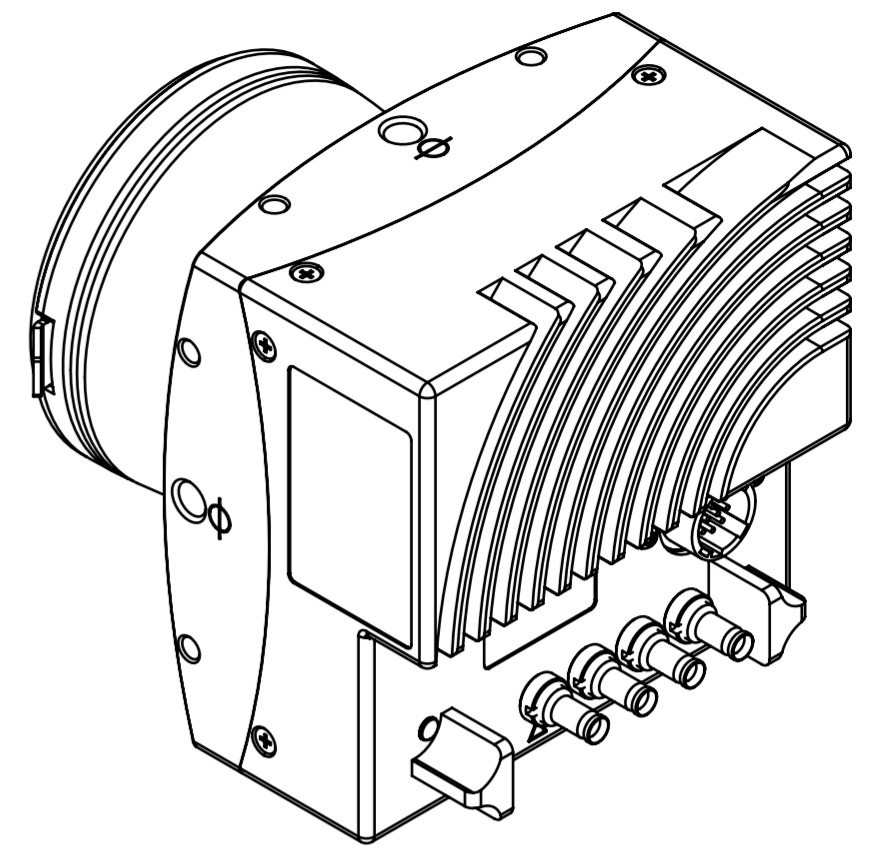
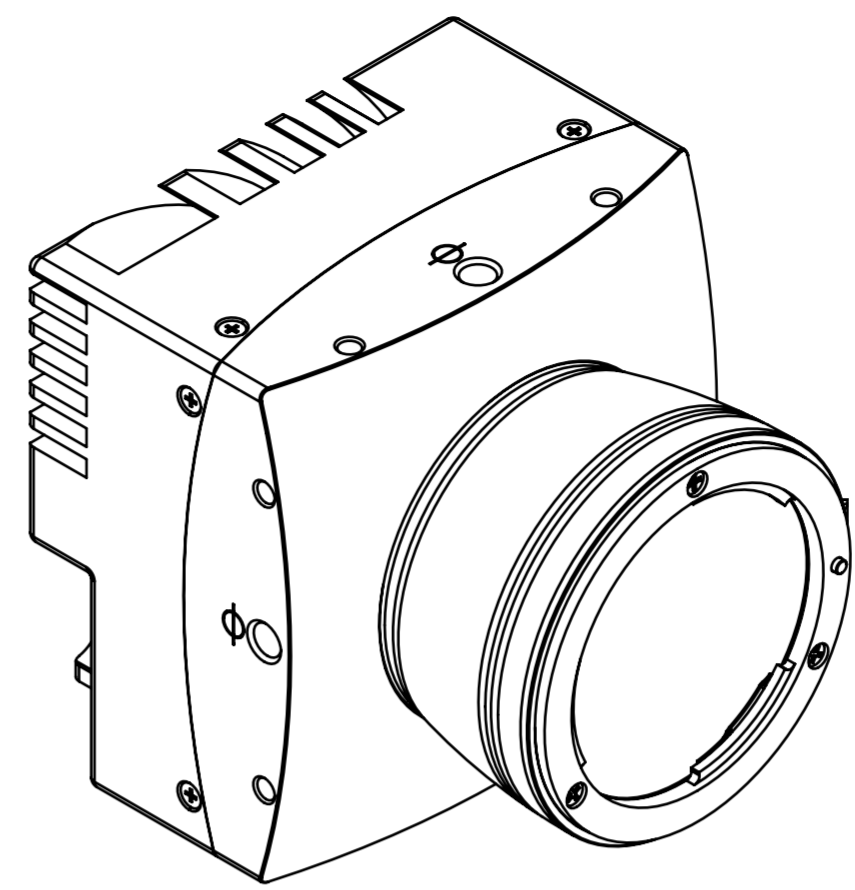
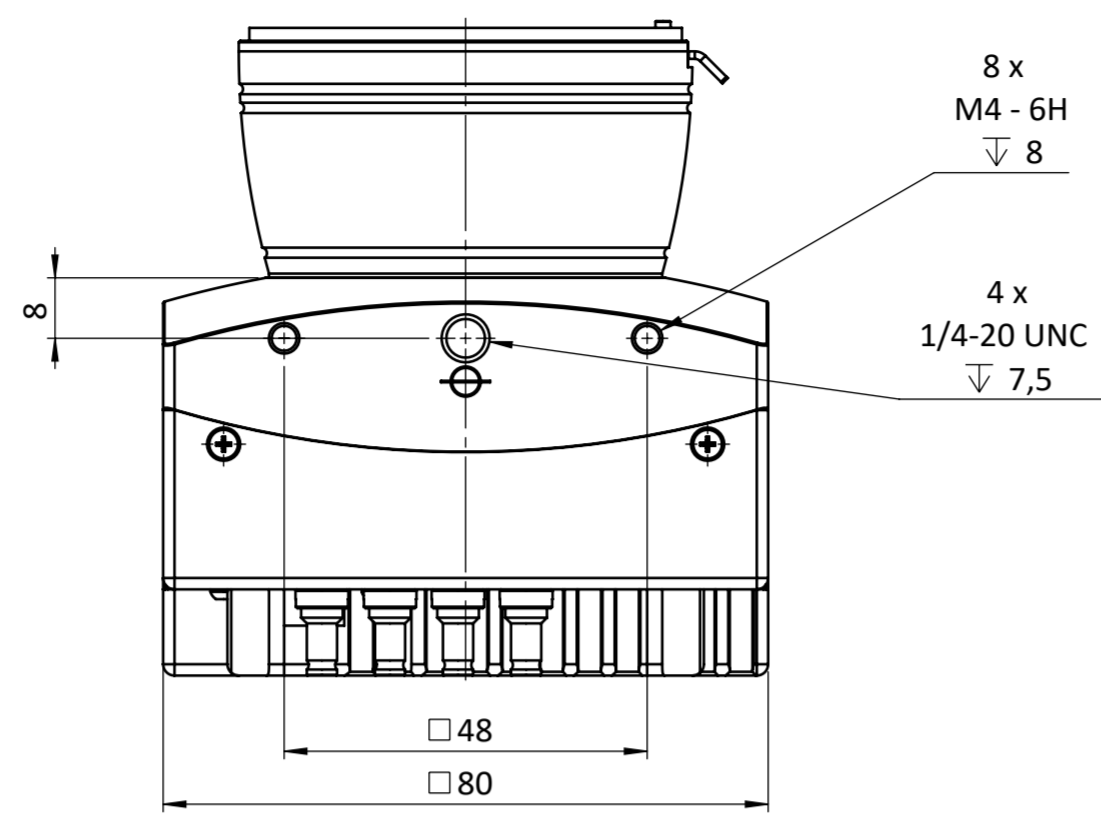
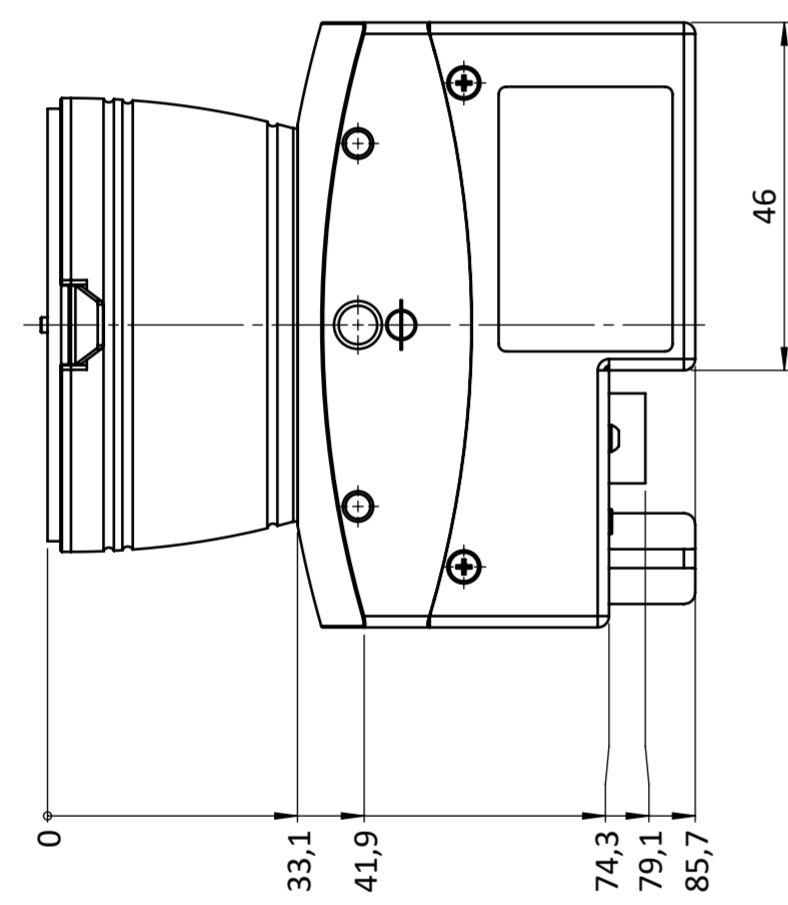


bottom view

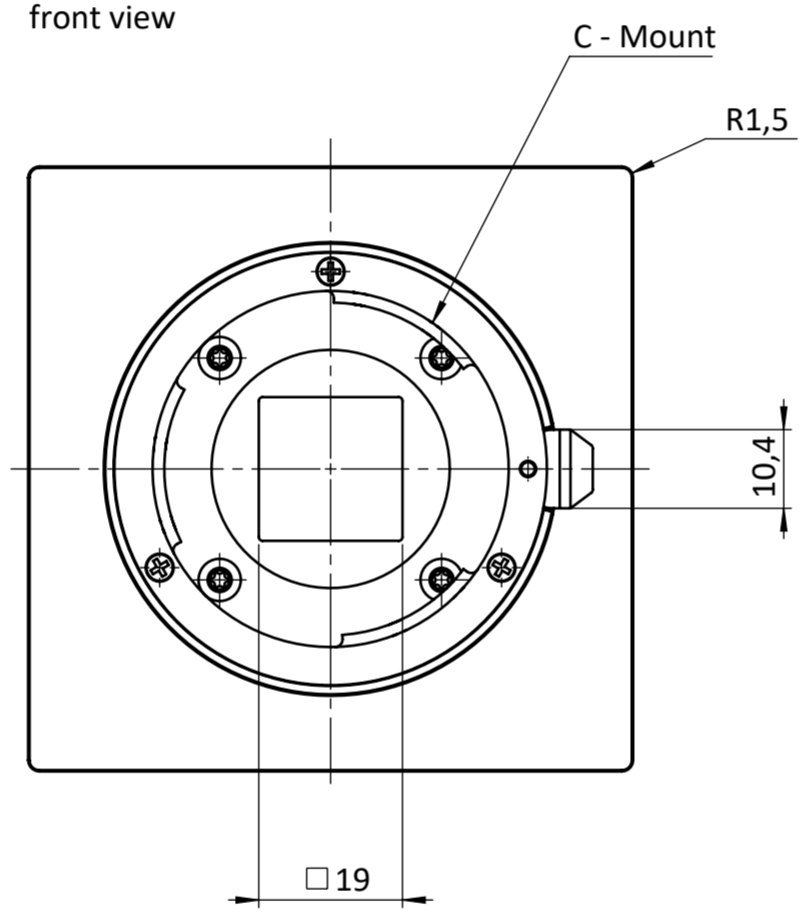


right view

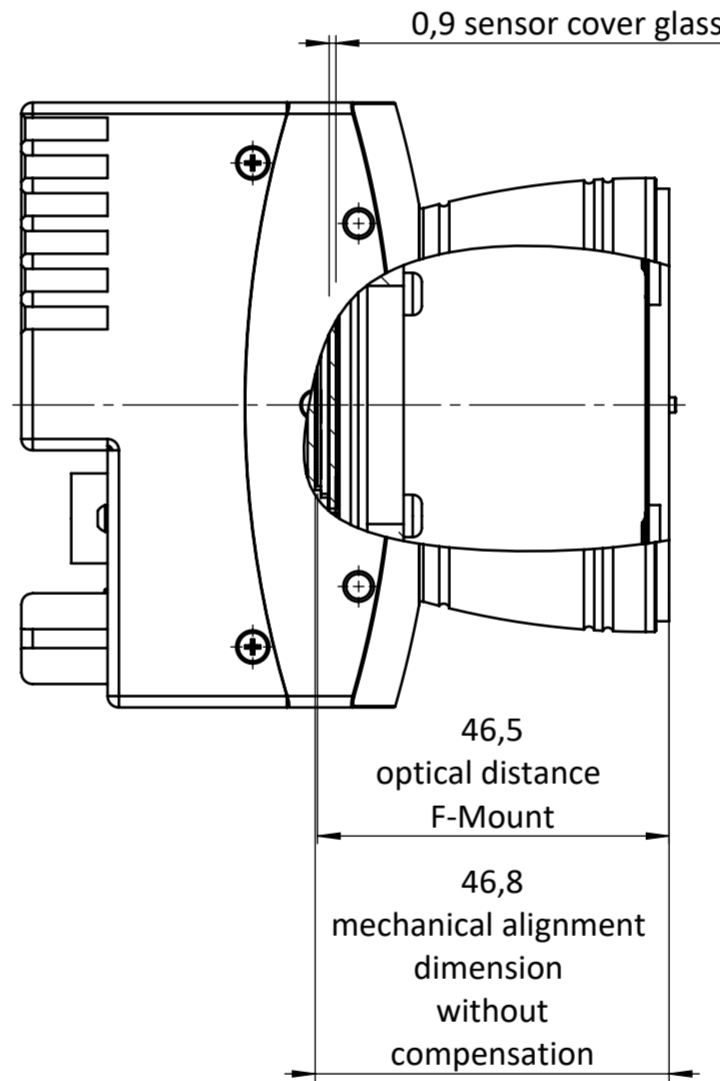


Hirose Connector

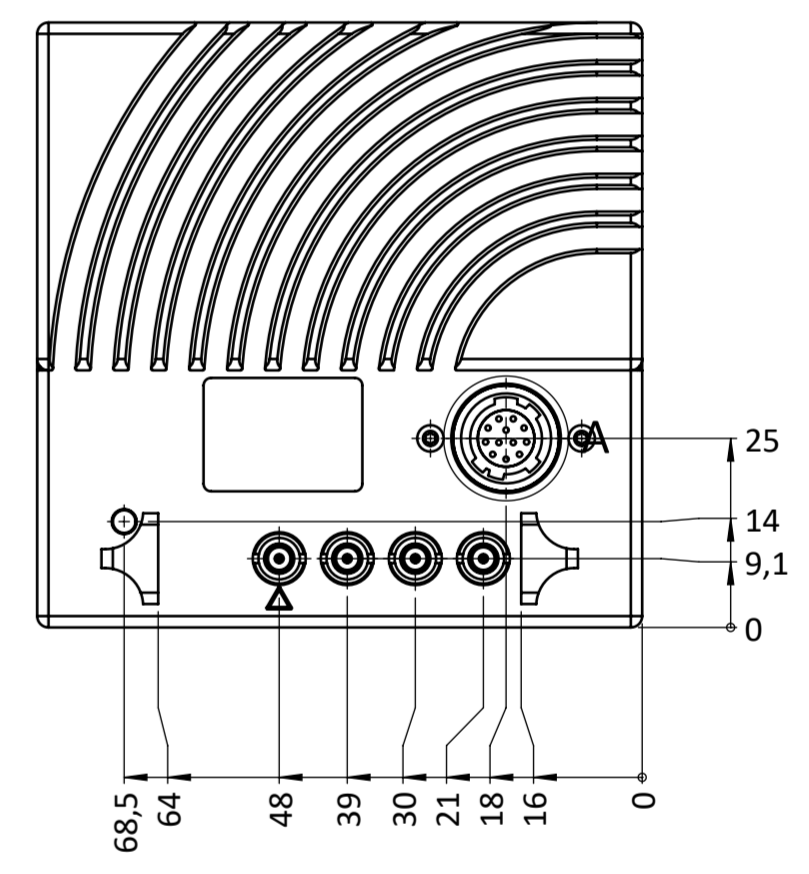
front view



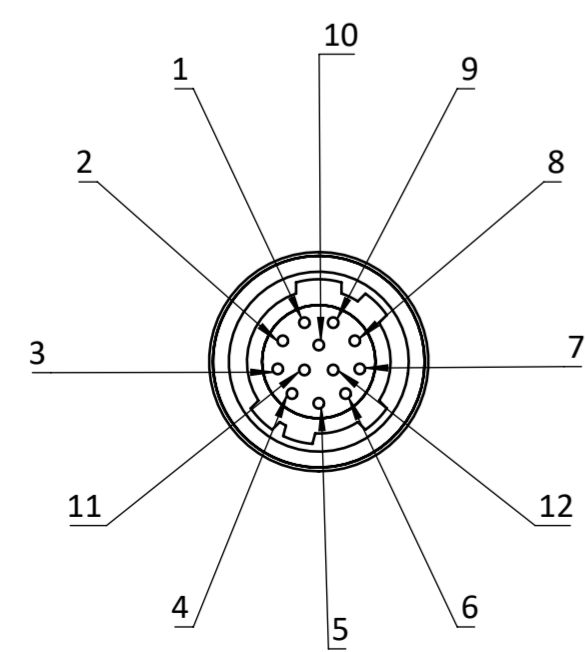
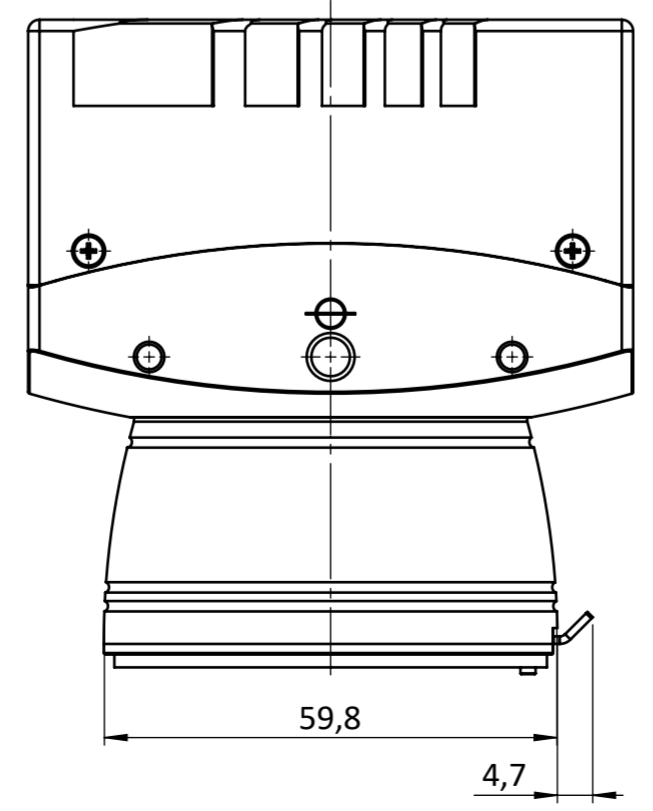
left view



back view



top view



DETAIL A  
Scale 2 : 1

Hirose Pinout	
Pin	Signal
1	GND
2	VCC (12 - 24V)
3	IO GND
4	OUT 0
5	IO GND
6	IN 0
7	IO GND
8	OUT 1
9	IO GND
10	IN 1
11	VCC (12 - 24V)
12	GND

	all dimensions in mm unless otherwise specified		Scale: 1:1	Rev.: 1						
			Customer Interface Drawing							
				Title: CREATION1.1MCX12-FM						
<table border="1"> <tr><td>Name</td><td>Sign.</td><td>Date</td></tr> <tr><td>S.Seller</td><td>STB</td><td>16.05.2022</td></tr> </table>		Name	Sign.	Date	S.Seller	STB	16.05.2022	Material:	Material No.: CAMMC3086	A2
Name	Sign.	Date								
S.Seller	STB	16.05.2022								
<table border="1"> <tr><td>Drawn</td><td>Checked</td><td>Changed</td></tr> <tr><td></td><td></td><td></td></tr> </table>		Drawn	Checked	Changed				Weight:	Blatt/Sheet 1 / 1	
Drawn	Checked	Changed								