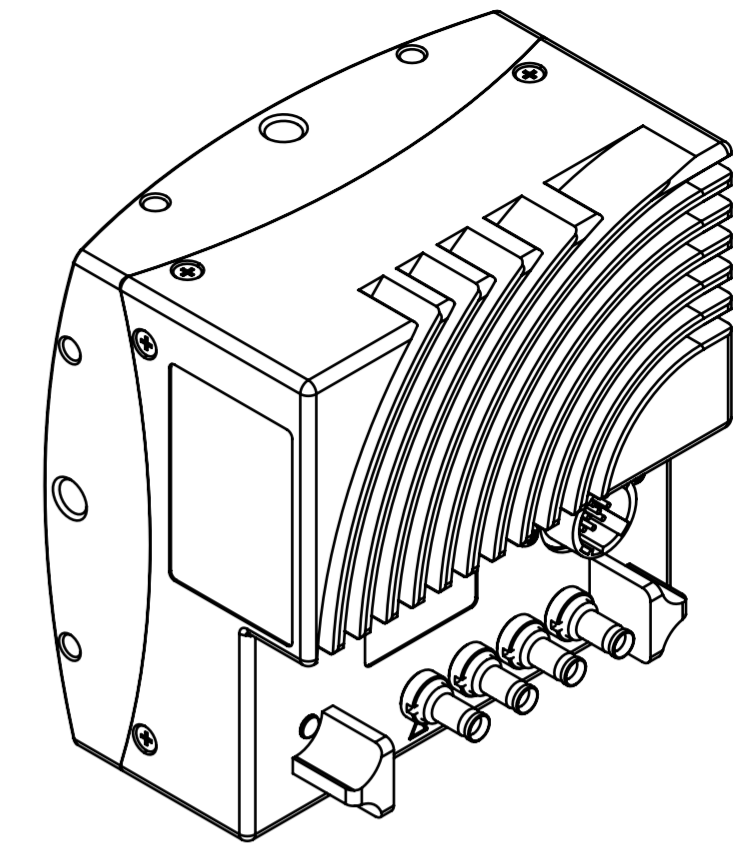
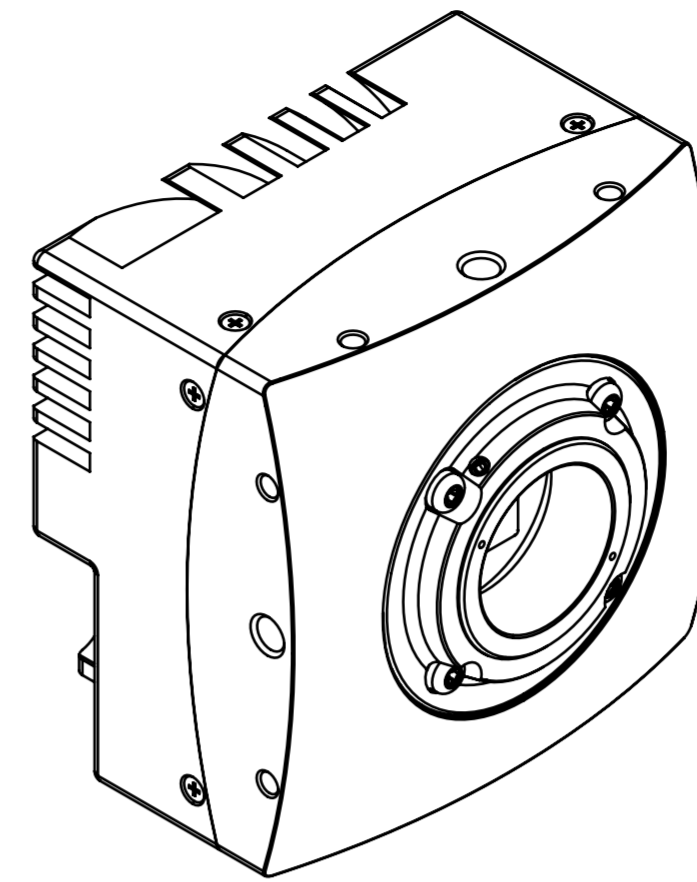
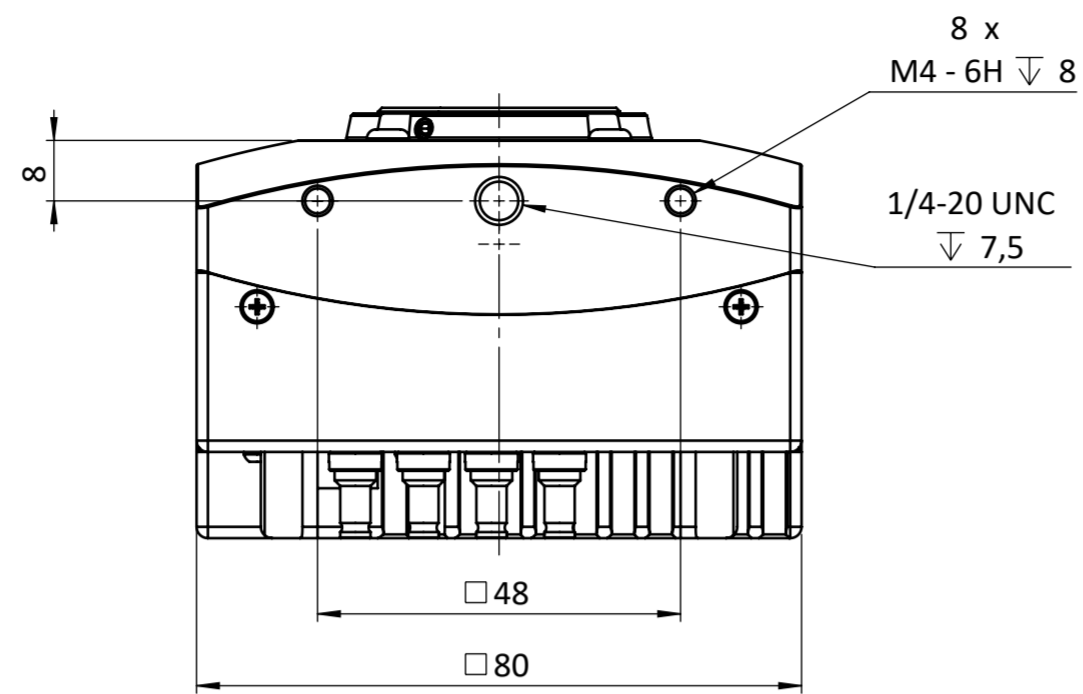
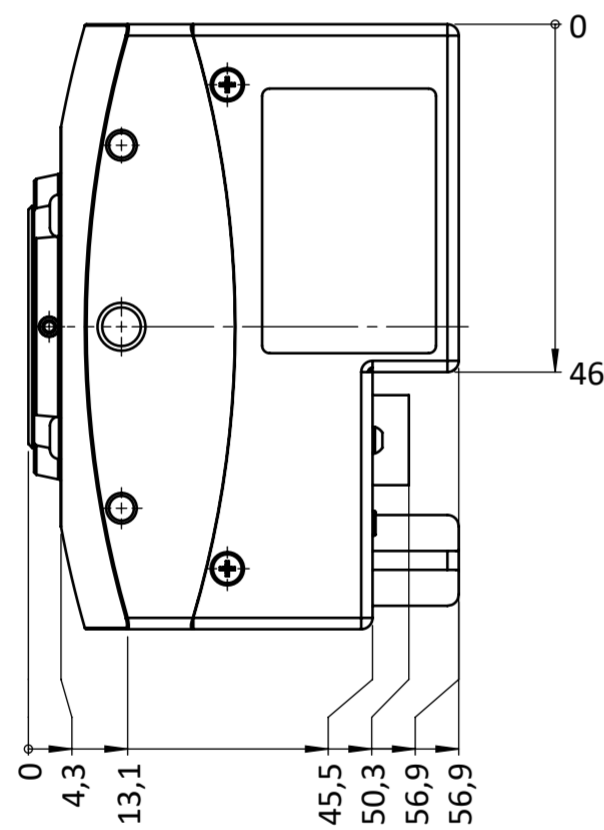


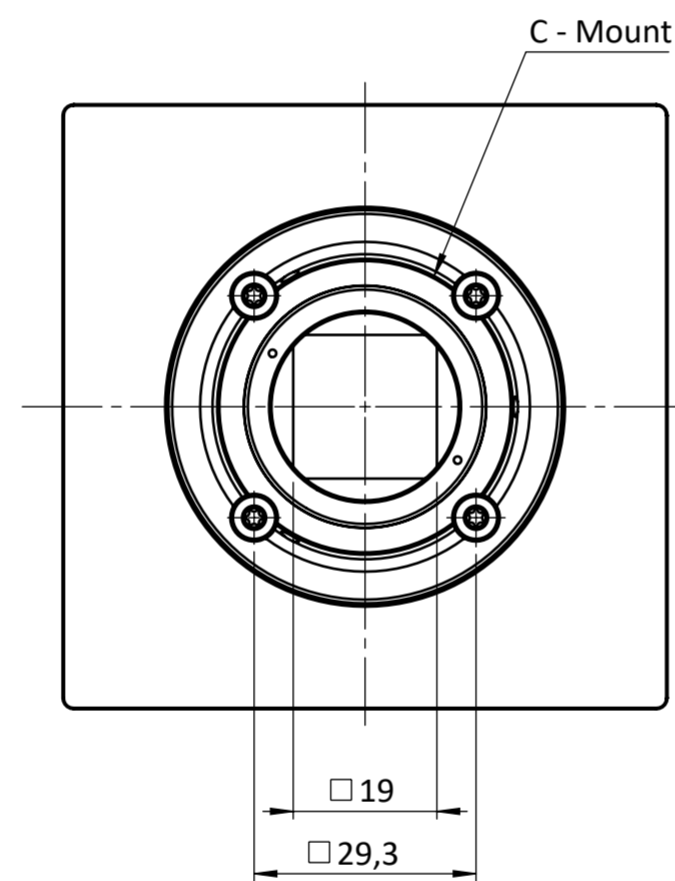
bottom view



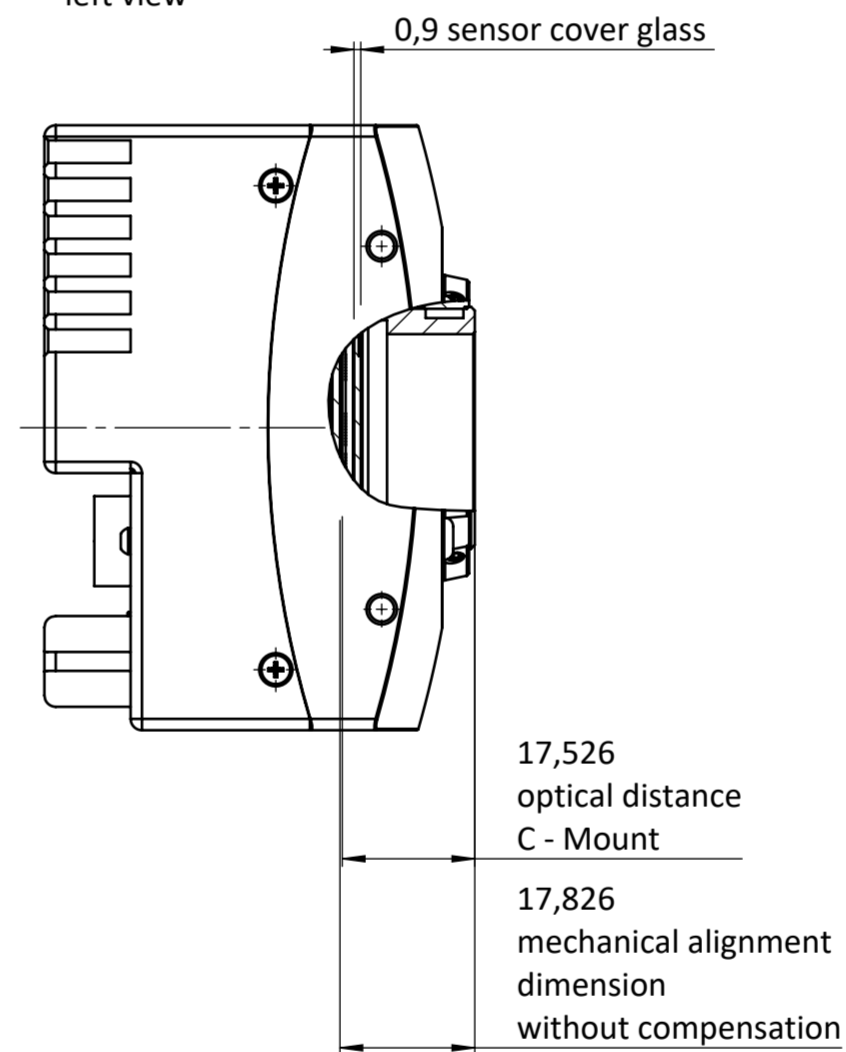
right view



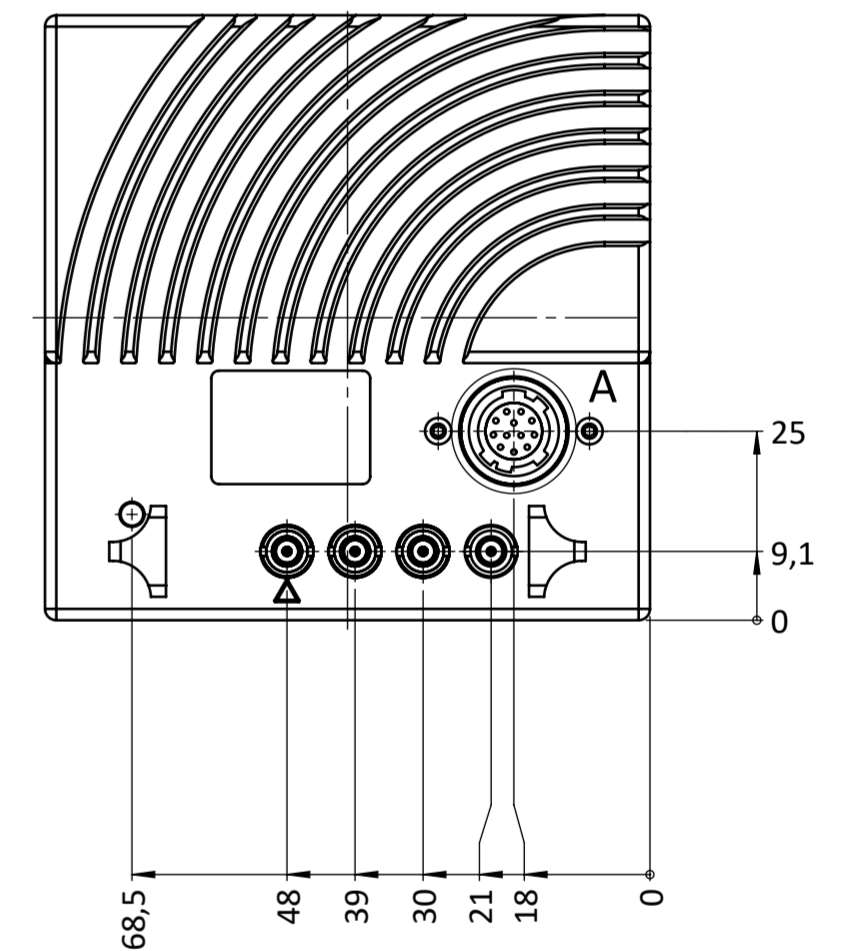
front view



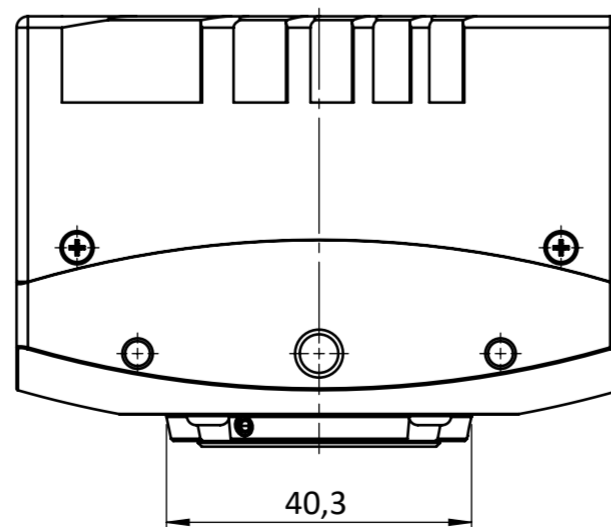
left view



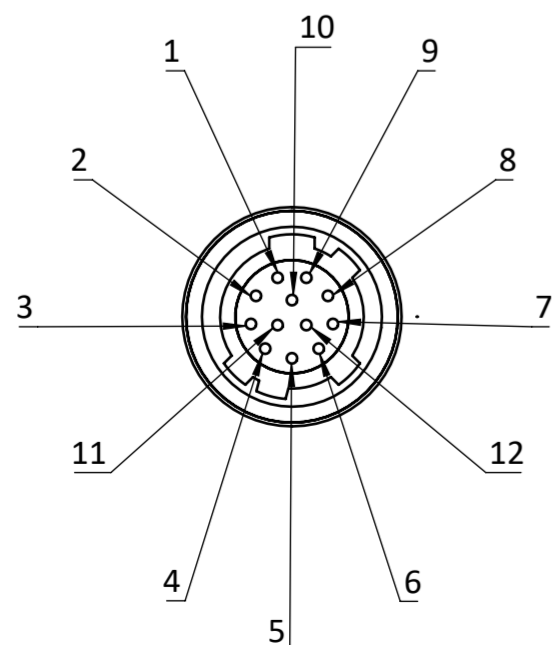
back view



top view



Hirose Connector



DETAIL A
Scale 2 : 1

Hirose Pinout	
Pin	Signal
1	GND
2	VCC (12 - 24V)
3	IO GND
4	OUT 0
5	IO GND
6	IN 0
7	IO GND
8	OUT 1
9	IO GND
10	IN 1
11	VCC (12 - 24V)
12	GND

	all dimensions in mm unless otherwise specified	Scale: 1:1	Rev.: 1
		Customer Interface Drawing	
		Title: Creation3.0MCX5 C-Mount	
		Material No.: CAMMC3086	
Name: S.Seller Sign: STB Date: 31.05.2022	Material:	Material No.: CAMMC3086	
Drawn: Checked: Changed:	Weight:	A2	
			Blatt/Sheet 1 / 1