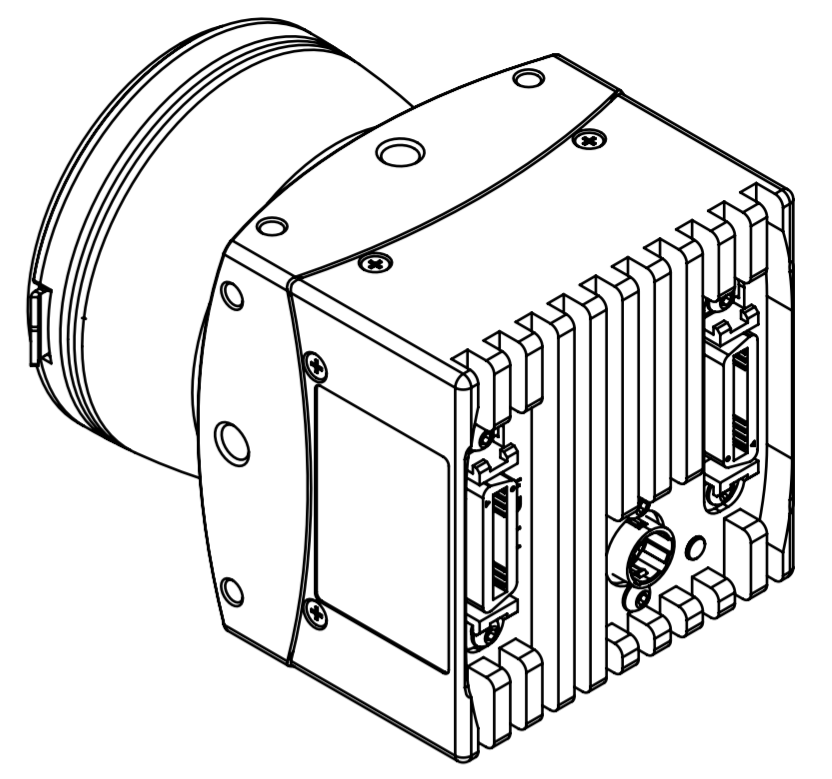
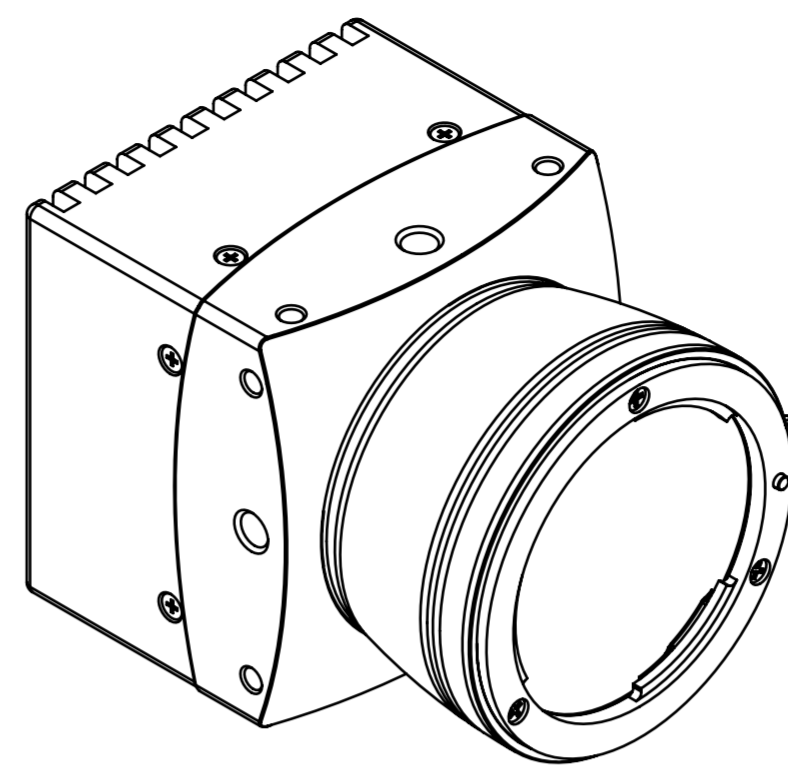
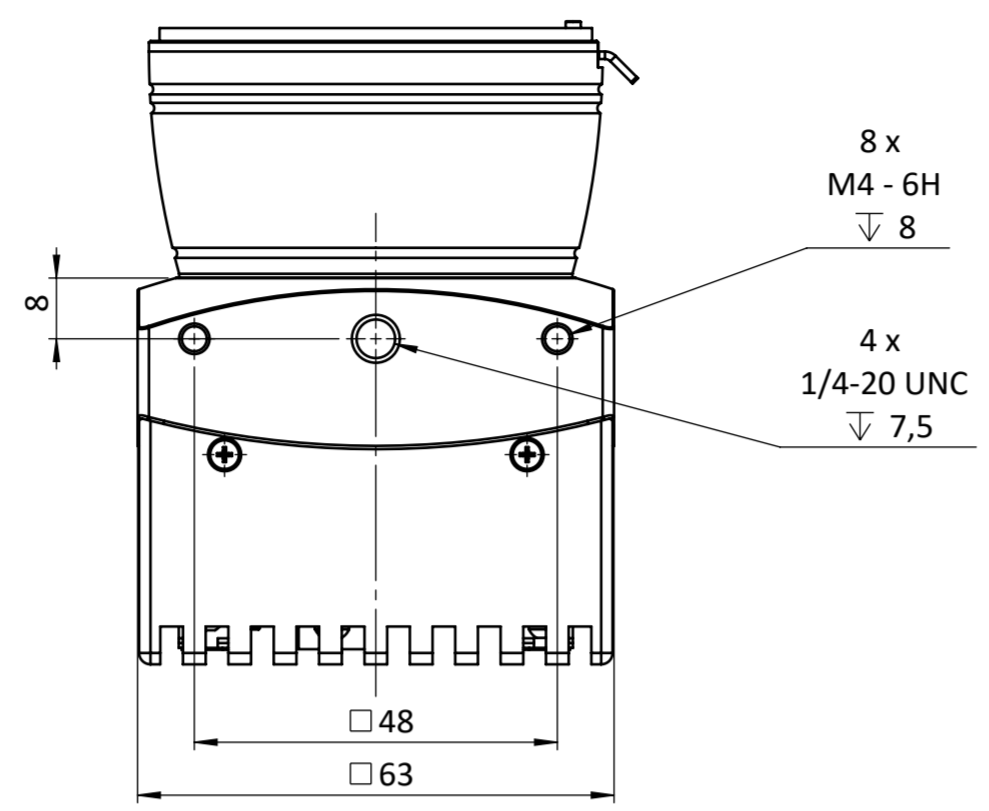
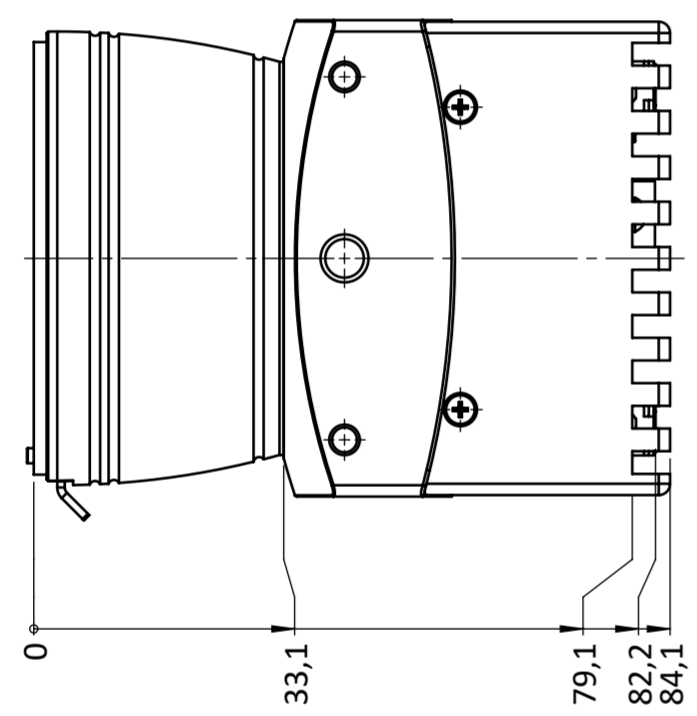


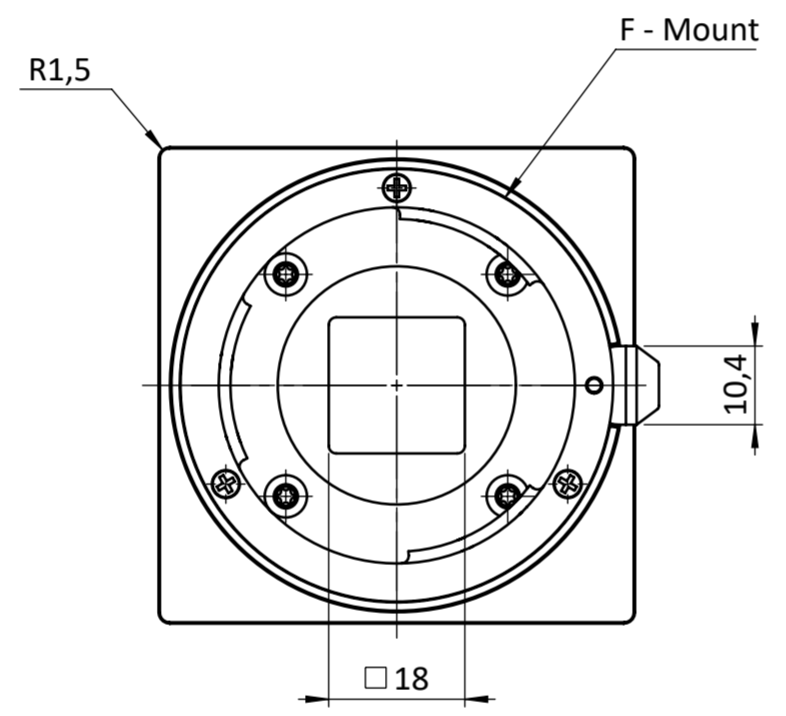
bottom view



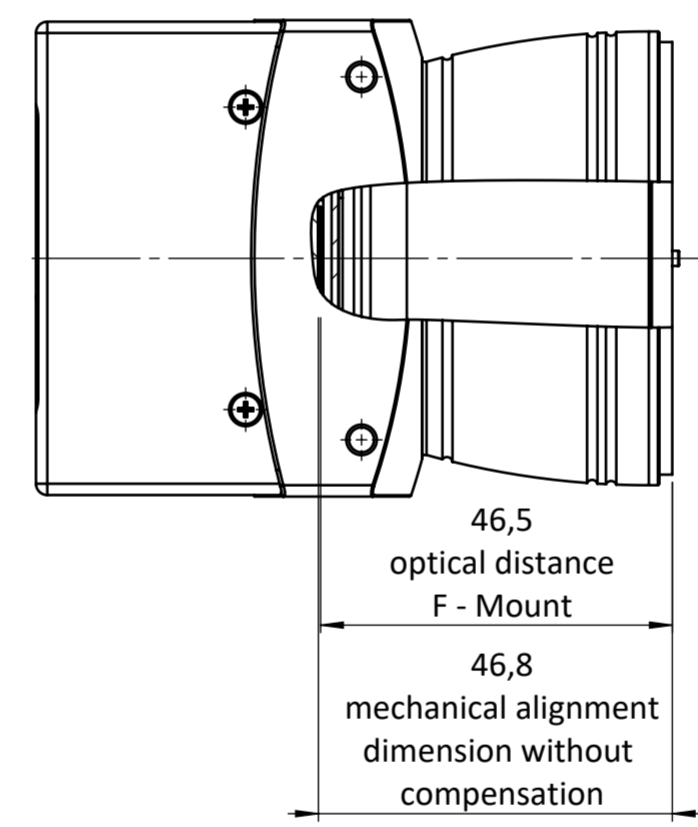
right view



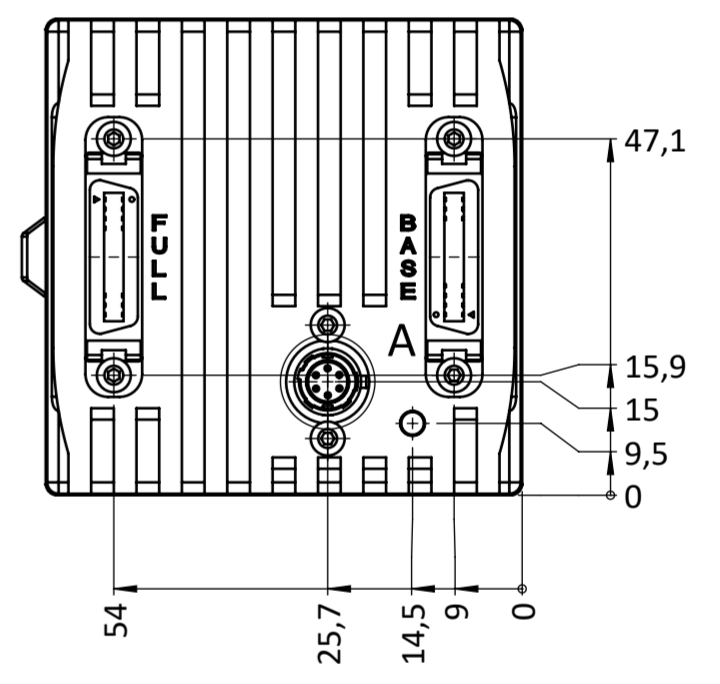
front view



left view

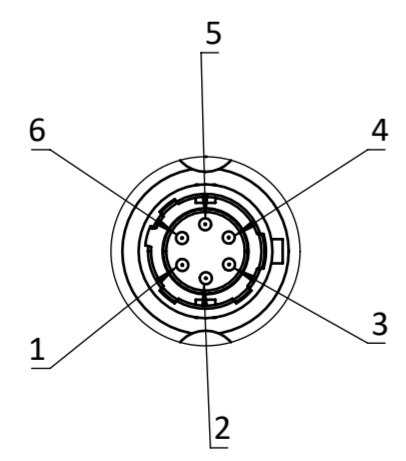


back view



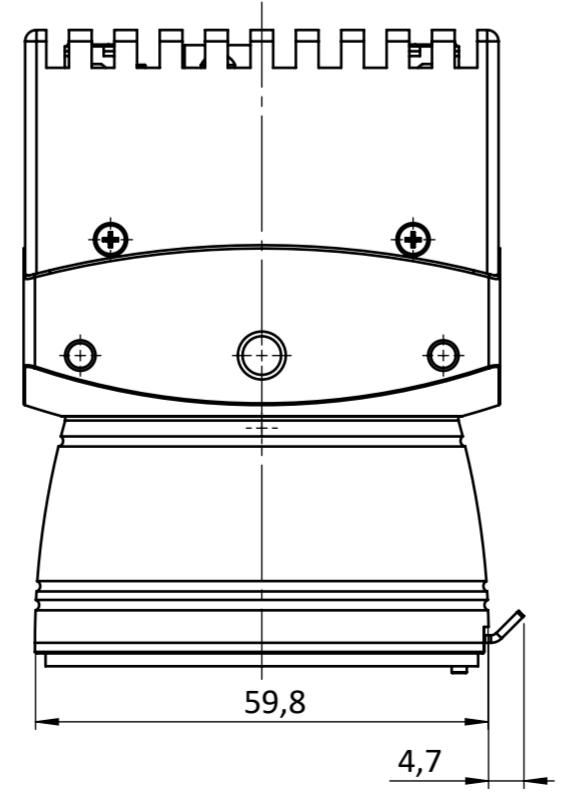
Hirose Connector

Hirose Pinout	
Pin	Signal
1	VCC
2	VCC
3	STRB OUT
4	GND STRB
5	GND
6	GND



DETAIL A
Scale 2 : 1

top view



	all dimensions in mm unless otherwise specified		Scale: 1:1	Rev.: 1
			Customer Interface Drawing	
Title: EOSENS3.0 MCL-FM		Material No.: CAMMC3010		A2
Name: S.Seller Sign: STB Date: 09.06.2022	Material:		Material No.:	
Drawn: Checked: Changed:	Weight:		Blatt/Sheet 1 / 1	