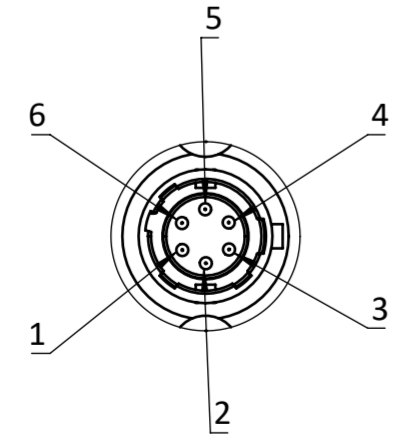
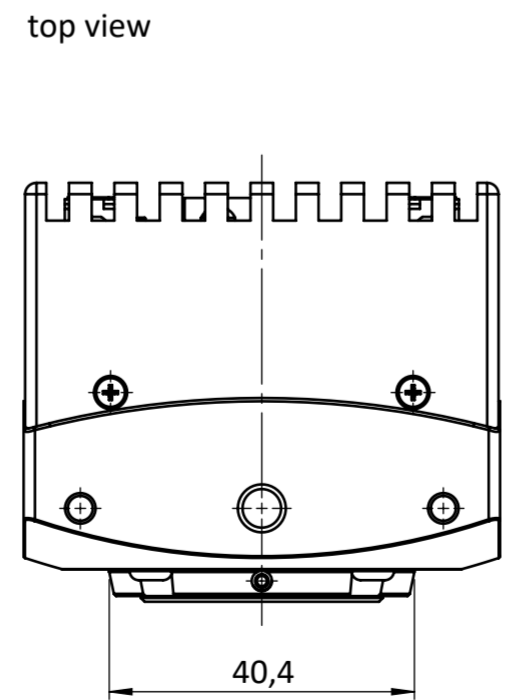


Hirose Connector

Pin	Signal
1	VCC
2	VCC
3	STRB_OUT
4	GND_STRB
5	GND
6	GND



DETAIL A
Scale 2 : 1



	all dimensions in mm unless otherwise specified	Scale: 1:1	Rev.: 1						
		Customer Interface Drawing							
		Title: EOSENS3.0 MCL-CM							
<table border="1"> <tr> <th>Name</th> <th>Sign.</th> <th>Date</th> </tr> <tr> <td>S.Seller</td> <td>STB</td> <td>09.06.2022</td> </tr> </table>		Name	Sign.	Date	S.Seller	STB	09.06.2022	Material:	Material No.: CAMMC3010
Name	Sign.	Date							
S.Seller	STB	09.06.2022							
<table border="1"> <tr> <th>Drawn</th> <th>Checked</th> <th>Changed</th> </tr> <tr> <td>S.Seller</td> <td></td> <td></td> </tr> </table>		Drawn	Checked	Changed	S.Seller			Weight:	A2
Drawn	Checked	Changed							
S.Seller									
			Blatt/Sheet 1 / 1						