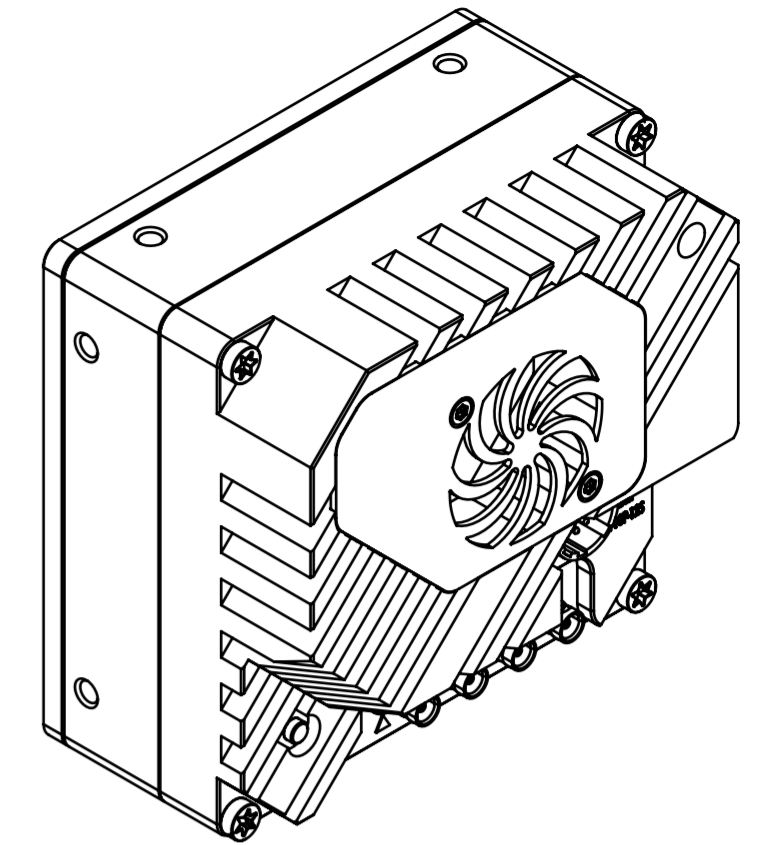
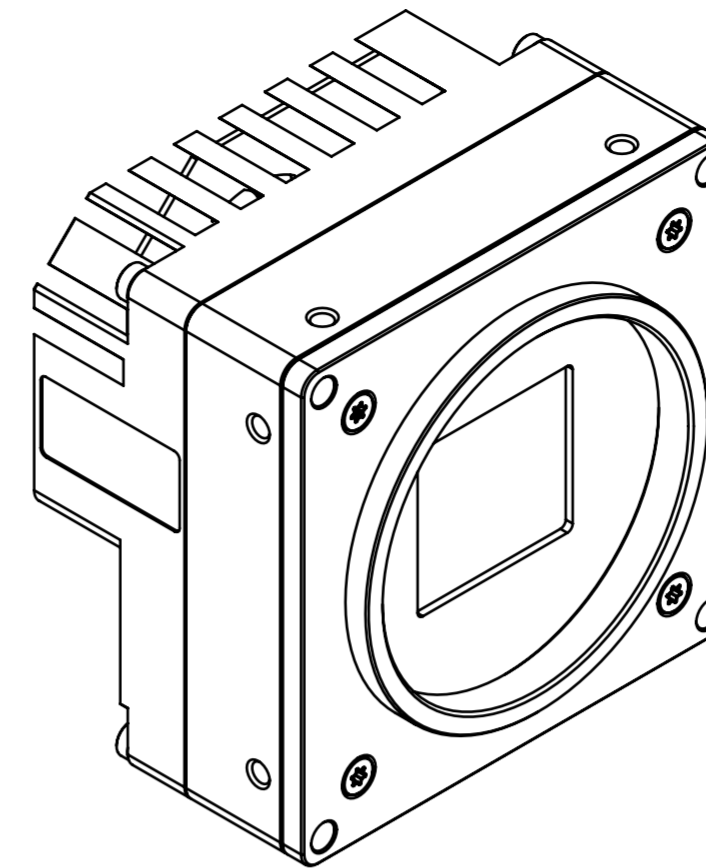
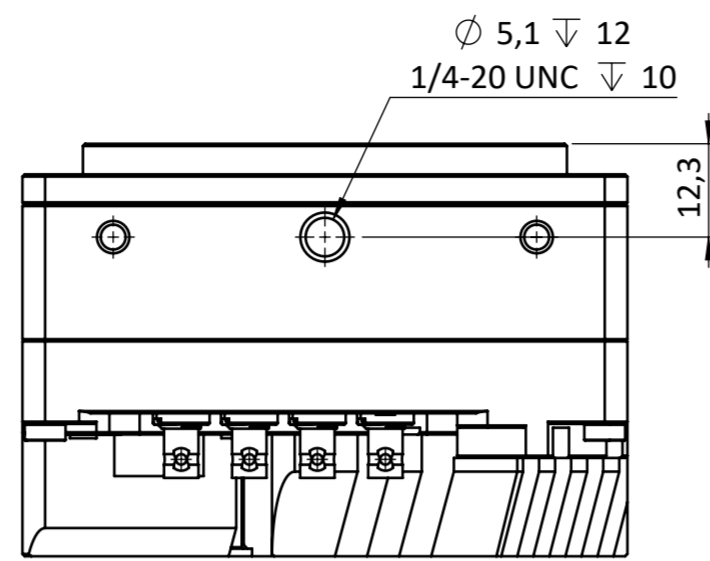
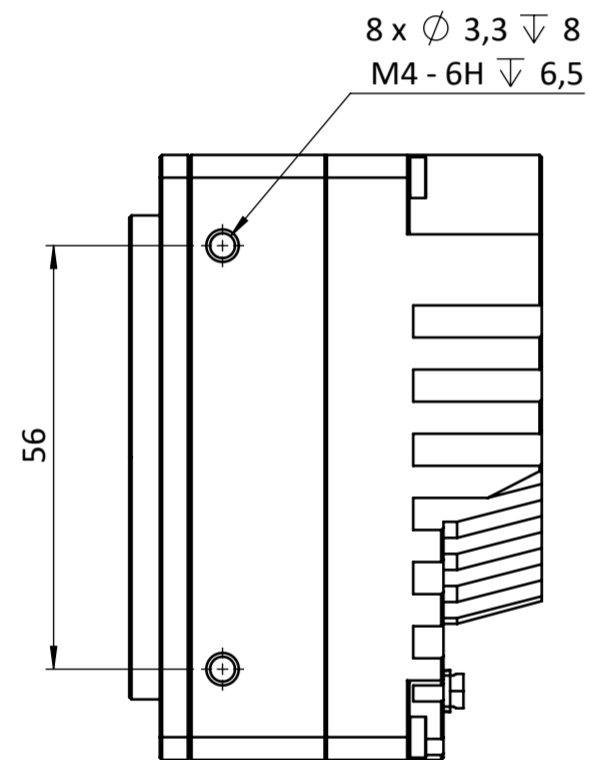


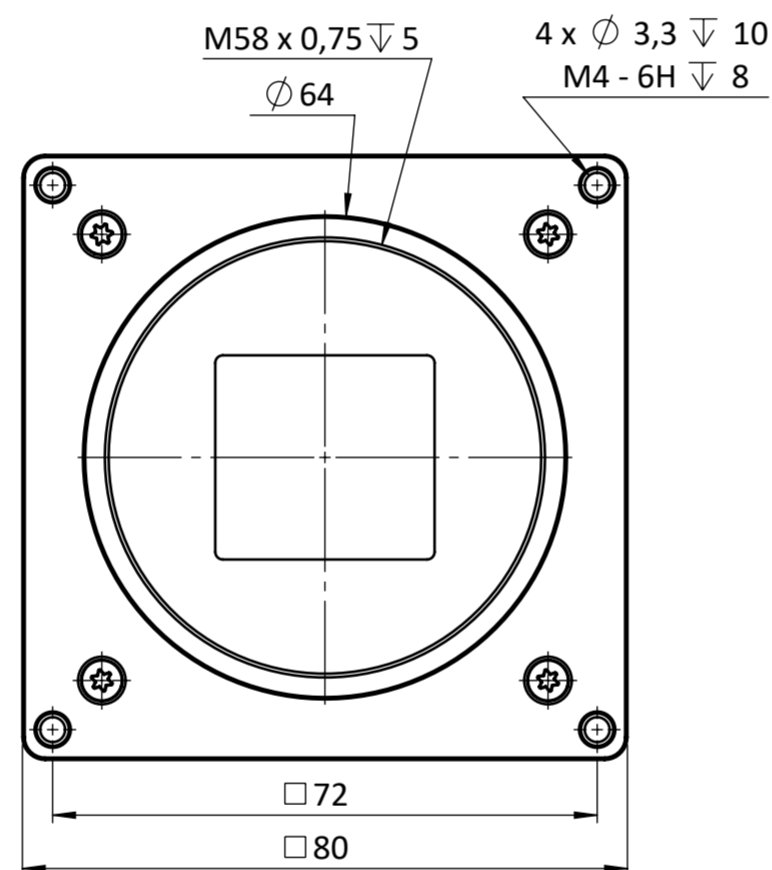
bottom view



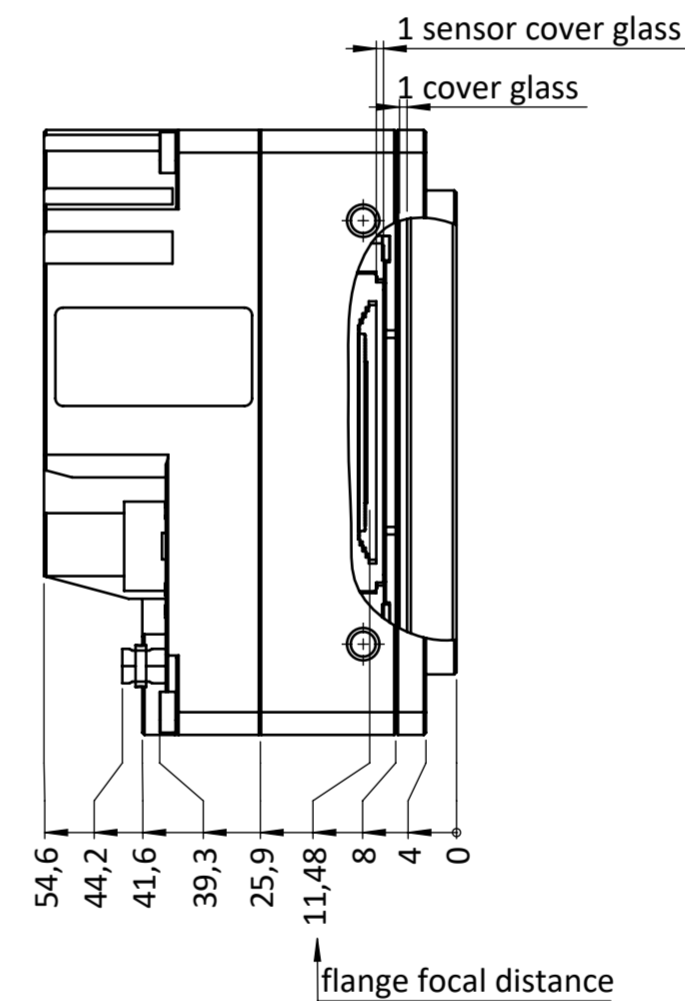
right view



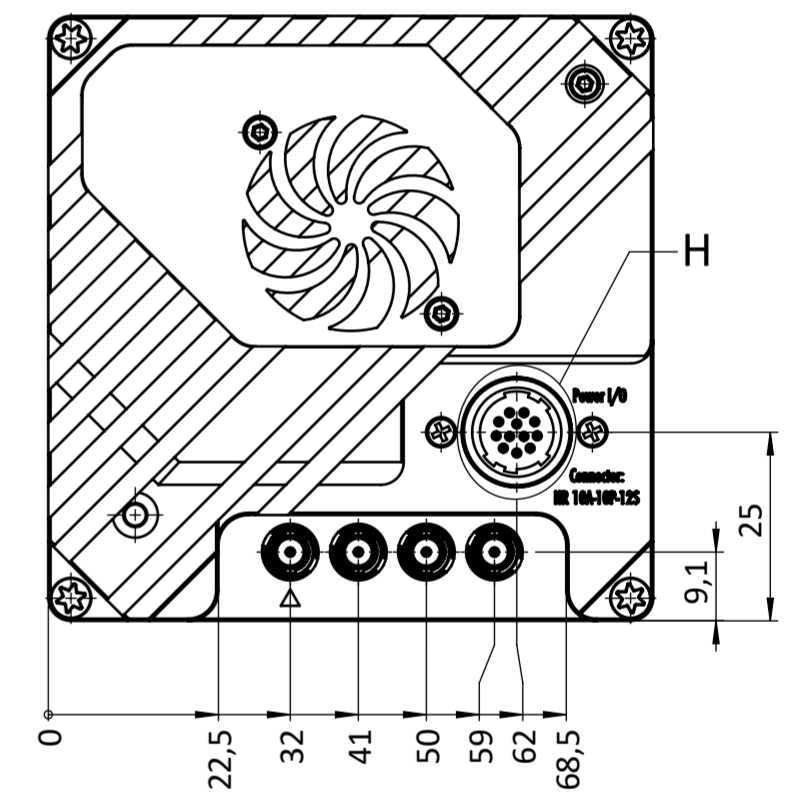
front view



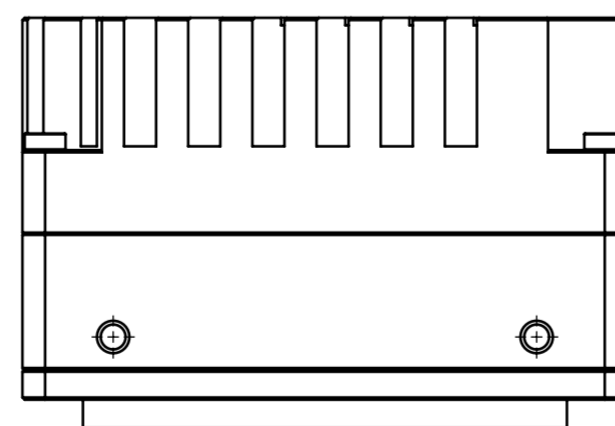
left view



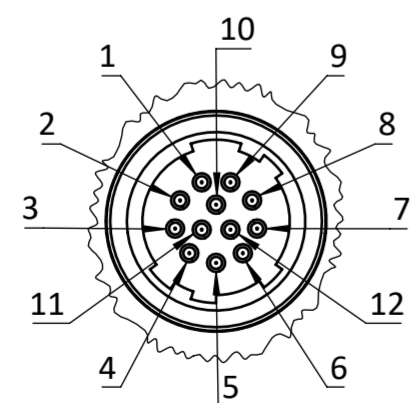
back view



top view



Hirose Connector



DETAIL H  
MAßSTAB 2 : 1

Hirose Pinout	
Pin	Signal
1	GND
2	VCC (12 - 24 V)
3	IO GND
4	OUT 0
5	IO GND
6	IN 0
7	IO GND
8	OUT 1
9	IO GND
10	IN 1
11	VCC (12 - 24 V)
12	GND

NOTICE:  
The sensor distance 11,48mm is compensated for both the coverglass and the sensor coverglass thickness

		all dimensions in mm unless otherwise specified		Scale: 1:1	Rev.: 1
		Customer Interface Drawing		Title: EoSens21MCX12-M58 EoSens21CCX12-M58	
Drawn: C. Thomas	Sign:	Date: 02.05.2025			Material No.:
Checked:					
Weight:					Blatt/Sheet 1 / 1