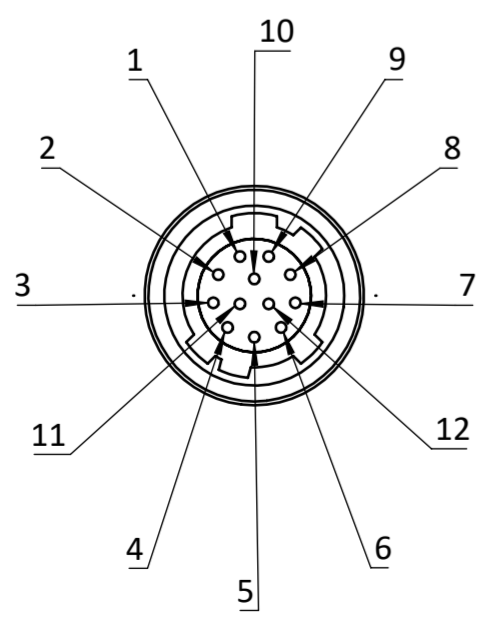
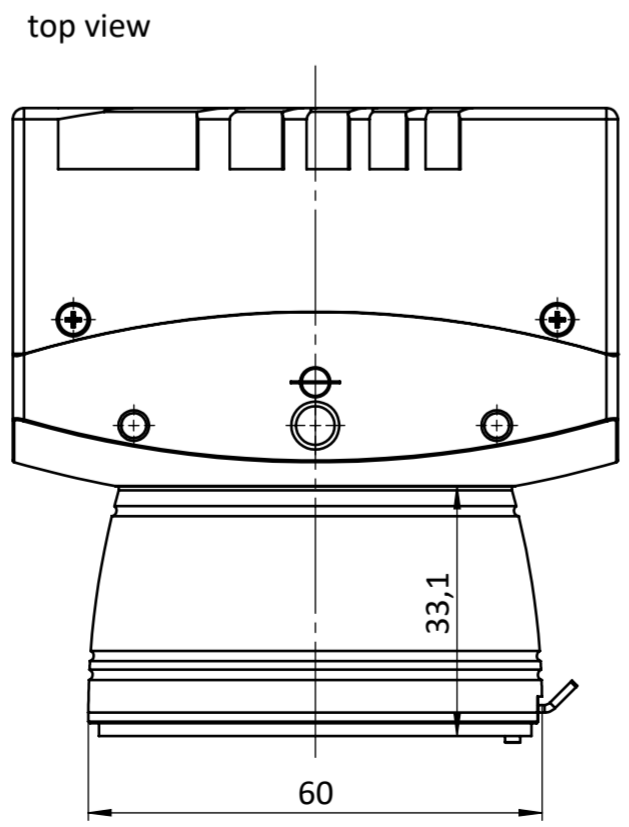


Hirose Connector



DETAIL A SCALE 2 : 1



Hirose Pinout	
Pin	Signal
1	GND
2	VCC (12 - 24V)
3	IO GND
4	OUT 0
5	IO GND
6	IN 0
7	IO GND
8	OUT 1
9	IO GND
10	IN 1
11	VCC (12 - 24V)
12	GND

drawing applies to
EoSens 2.0MCX12-FM
EoSensCreation2.0MCX12-FM2

 High-Speed Vision Solutions	all dimensions in mm unless otherwise specified	Scale: 1:1 Rev.: 1
	Customer Interface Drawing	Title: EoSens2.0MCX12-FM
Drawn: S.Seller Date: 12.12.2022	Material:	Material No.:
Checked:	Weight:	A2 Blatt/Sheet 1 / 1