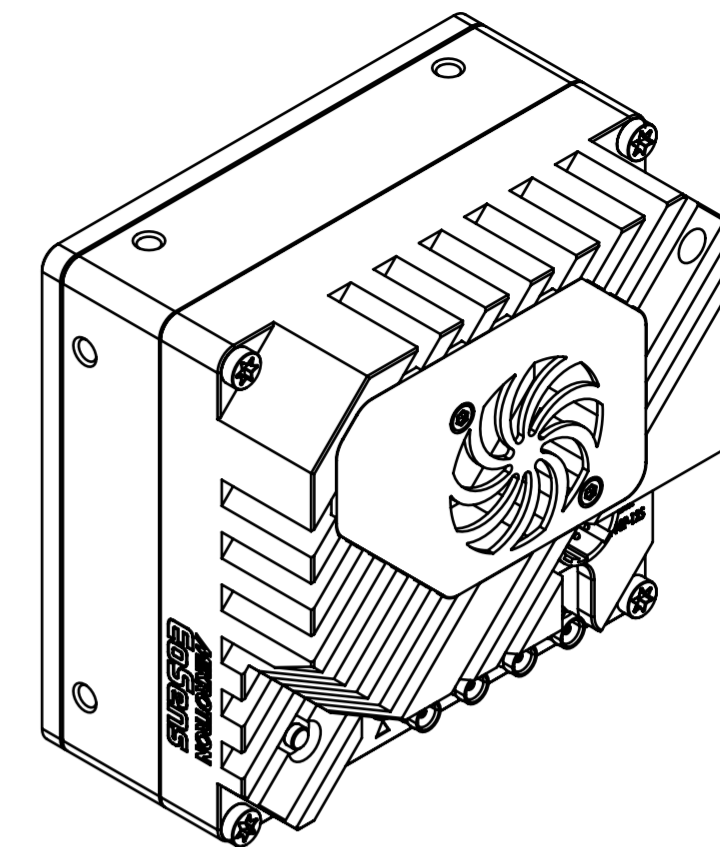
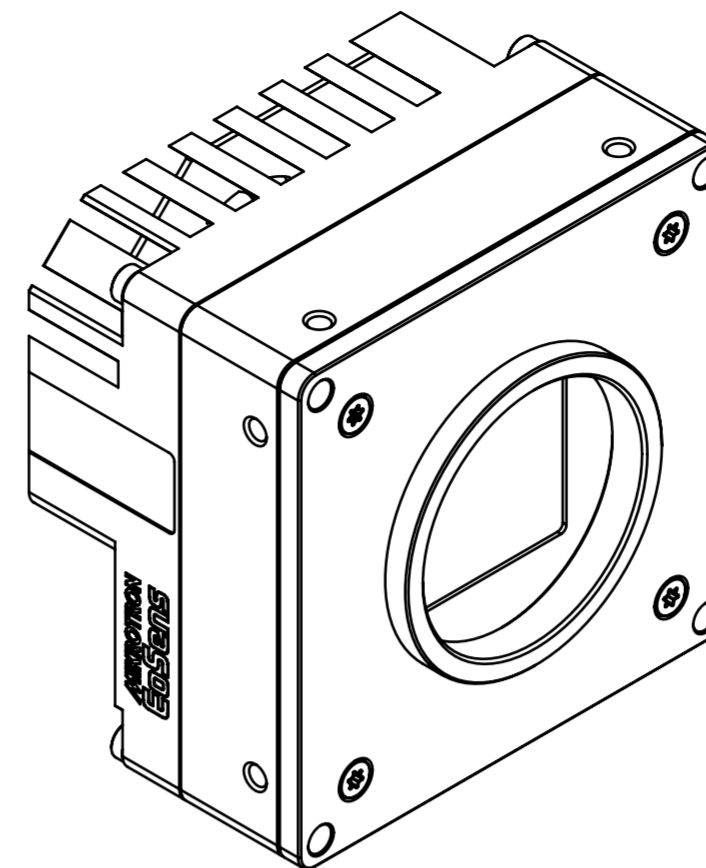
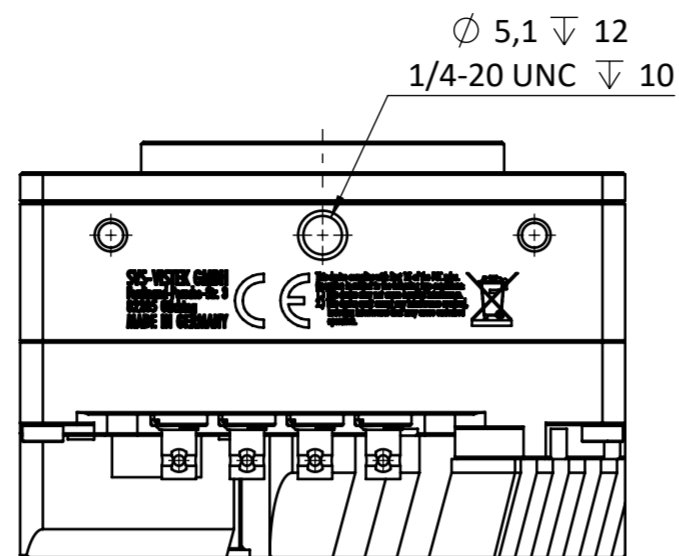
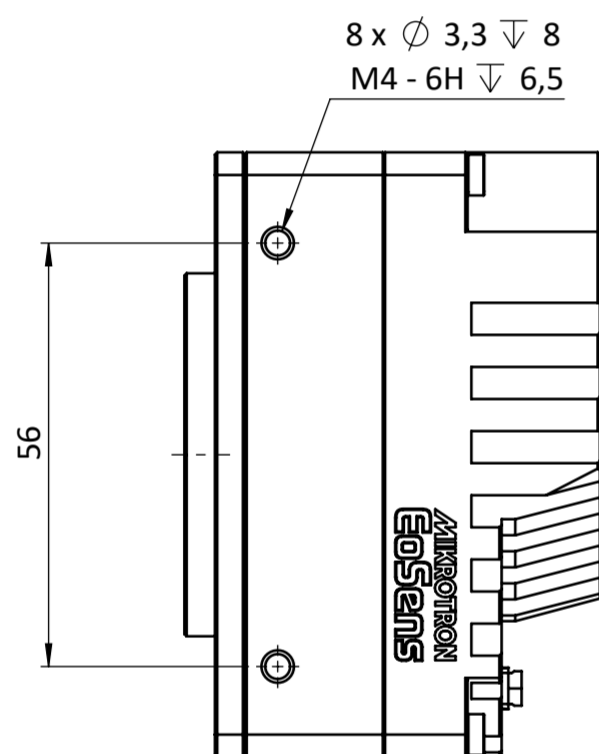


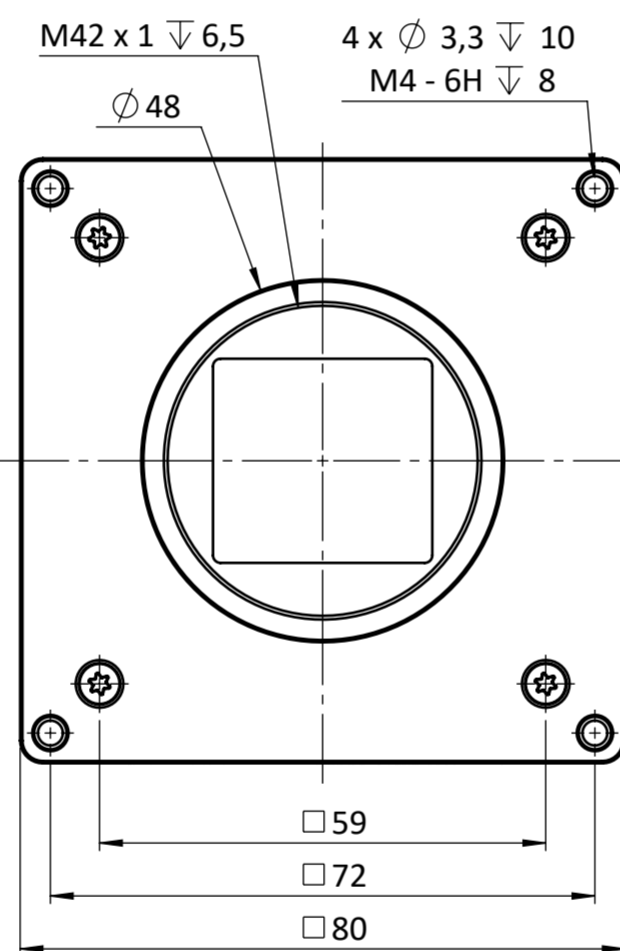
bottom view



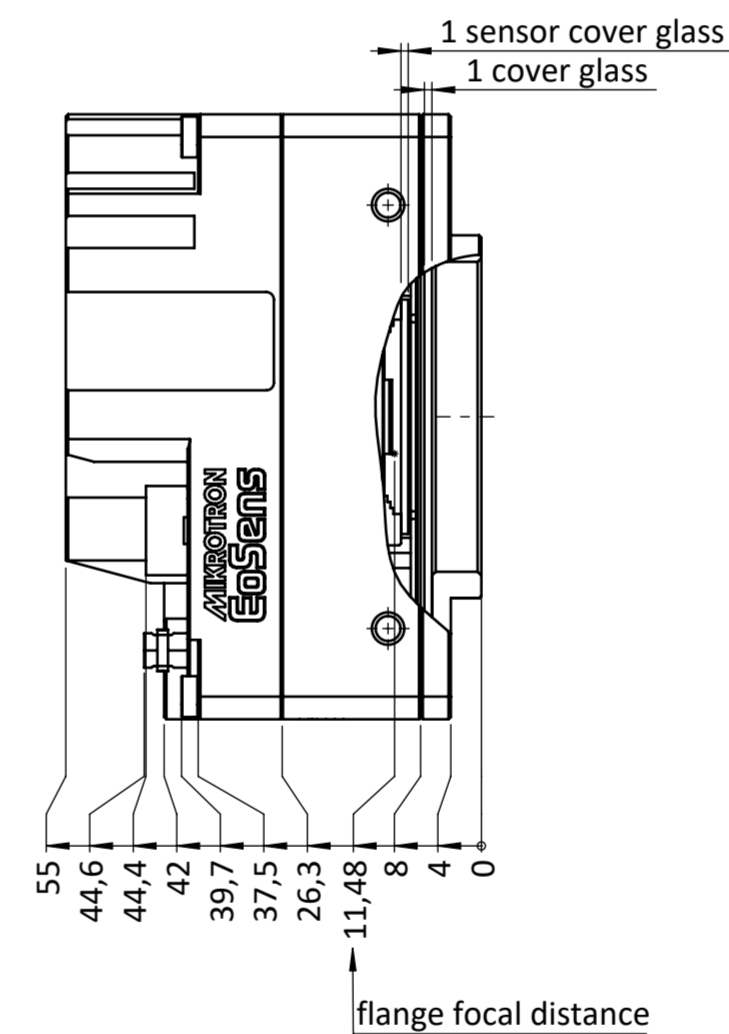
right view



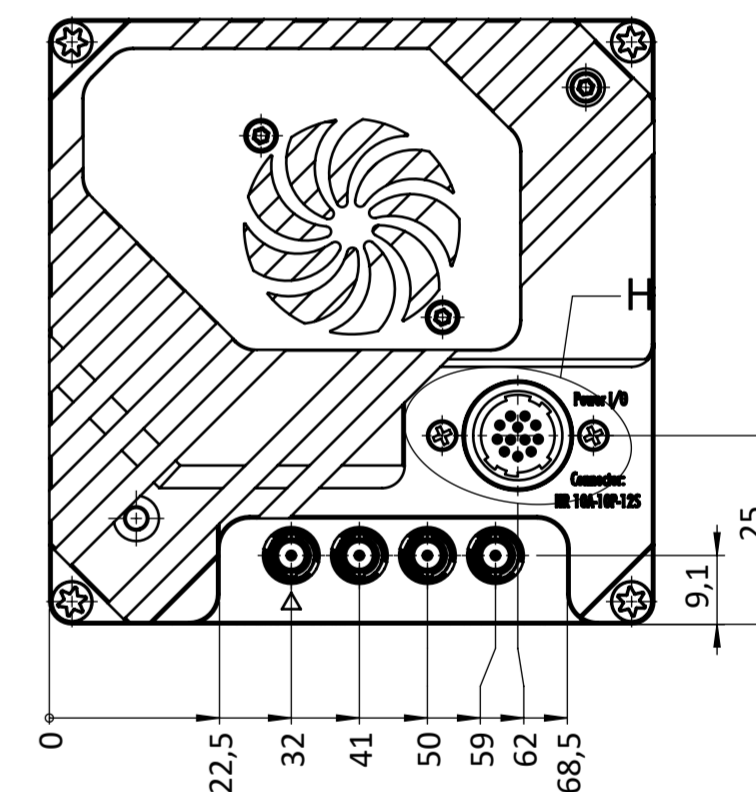
front view



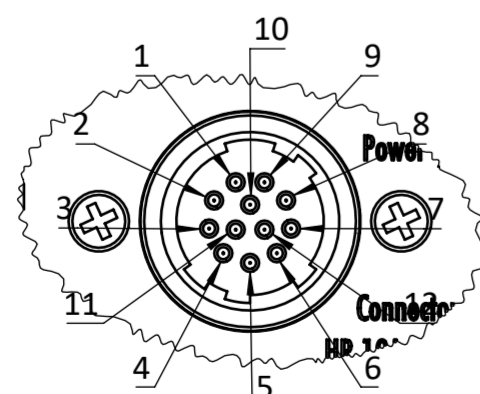
left view



back view

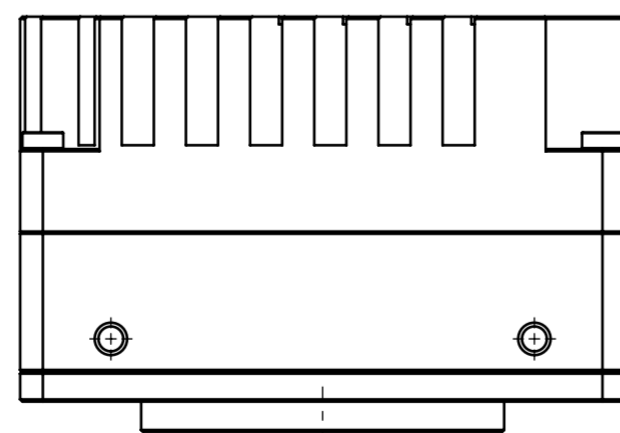


Hirose Connector



DETAIL H
MAßSTAB 2 : 1

top view



Hirose Pinout	
Pin	Signal
1	GND
2	VCC (12 - 24 V)
3	IO GND
4	OUT 0
5	IO GND
6	IN 0
7	IO GND
8	OUT 1
9	IO GND
10	IN 1
11	VCC (12 - 24 V)
12	GND

NOTICE:
The sensor distance 11,48mm is compensated for both the coverglass and the sensor cover glass thickness

Drawing applies to mono and color cameras

EoSens10MCX12-M42
EoSens10CCX12-M42

		all dimensions in mm unless otherwise specified		Scale: 1:1	Rev.: 1
Customer Interface Drawing				Title: EOSENS10xCX12-M42	
Drawn: C. Thomas	Date: 02.05.2025	Material:		Material No.:	
Weight:		A2		Blatt/Sheet 1 / 1	